

Installation Guide

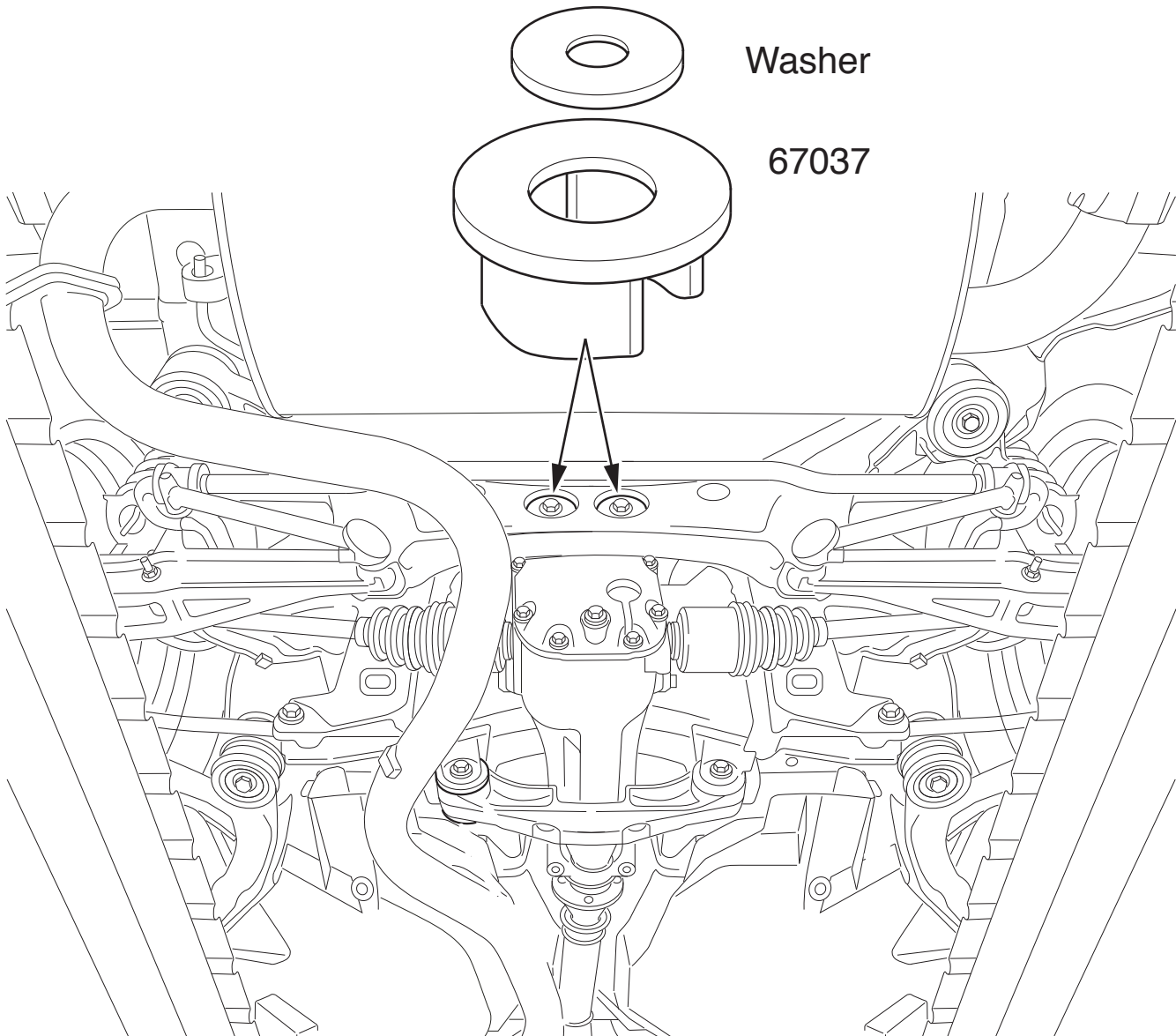
Rear Diff. Mount - Insert Bush Kit

Suits: Subaru Liberty / Legacy and Outback

(Always refer to the current catalogue for complete application listing)

- N.B:** - This installation guide should be used in conjunction with the workshop manual.
- All fastener torque settings to be adhered to.

WHITELINE
Flat out



- N.B:** - It is recommended that a licenced workshop or trades person carry out the above procedure and that workshop manual and relevant safety procedures are followed in addition to the above.