

Installation Guide

Rear Subframe Bushings

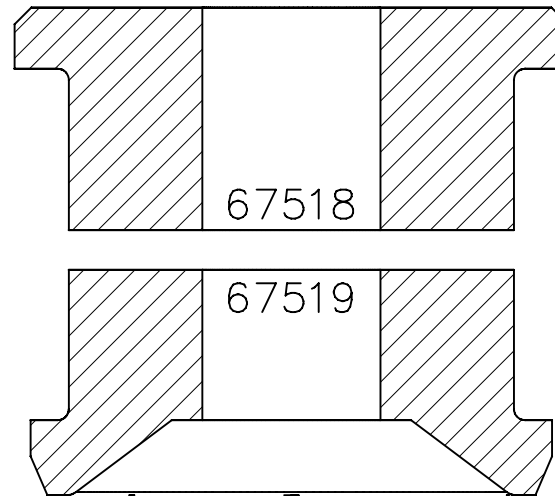
Suits : BMW E90

(Always refer to the current catalogue for complete application listings).
 N.B. This install guide should be used in conjunction with the workshop manual.

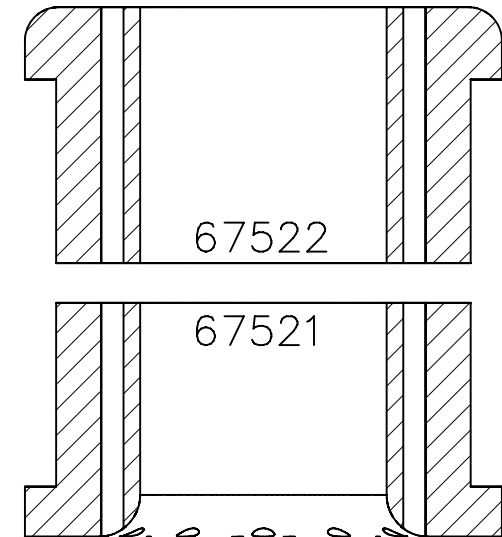
KIT CONTENTS:

8X bushings
 4x aluminium tubes

REAR MOUNT



FRONT MOUNT



VIEW FROM RIGHT HAND SIDE OF VEHICLE

1. Raise and safely support vehicle.
2. Lower subframe and remove OE bushings.
3. Fit new bushings 67518 and 67522 into top of eyelet.
4. Fit new bushings 67519 and 67521 into bottom of eyelet.
5. Lubricate ID of bushings with the supplied grease.
6. Push aluminium tubes into place. Note: larger ID of large tube needs to face upwards.
7. Lightly grease face of all bushings.
8. Re fit subframe and road test.
9. Re check after initial 100km.

N.B. It is recommended that a licenced workshop or trades person carry out the above procedure and that workshop manual and relevant safety procedures are followed in addition to the above.