

## Installation Guide Rear Differential Front Bush

Z5112

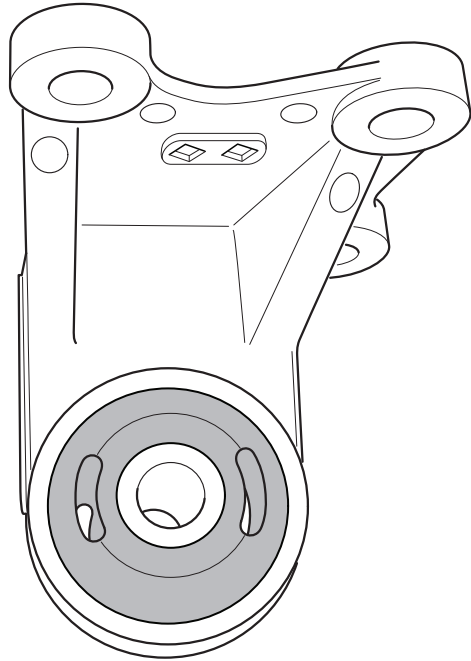
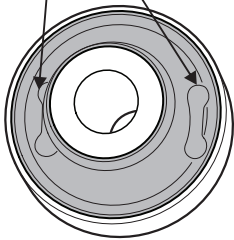
Suits: Mitsubishi Lancer

*(Always refer to the current catalogue for complete application listings)*

**N.B:** This installation guide should be used in conjunction with the workshop manual.

**Please Note:** Upper and Lower bushes should be installed with the voiding in the same plane as the OE bush.

OE bush removed showing orientation of bush voiding.



**N.B:** It is recommended that a licenced workshop or trades person carry out the above procedure and that workshop manual and relevant safety procedures are followed in addition to the above.

# Installation Guide

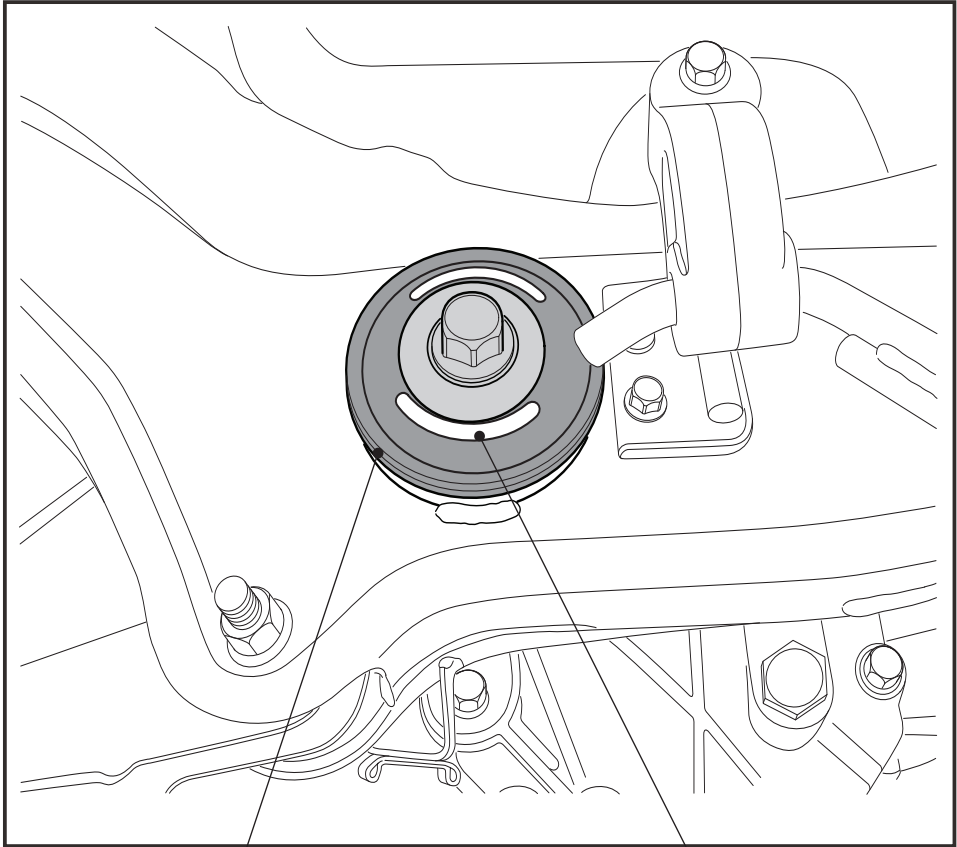
## Differential Positive Power Kit

Z 5123

Suits: Mitsubishi Lancer-Ralliart

*(Always refer to the current catalogue for complete application listings)*

**N.B:** This installation guide should be used in conjunction with the workshop manual.



Bush removal is best achieved with the use of an air hacksaw. Cut down through the rubber voiding and steel shell being careful not to damage the subframe housing.

Install the 67167 bush into the subframe housing so that the orientation of the voiding faces upward and downward. Apply a light smear of grease to the inside of the subframe housing.

**N.B:** It is recommended that a licenced workshop or trades person carry out the above procedure and that workshop manual and relevant safety procedures are followed in addition to the above.