

(Always refer to the current catalogue for complete application listings)

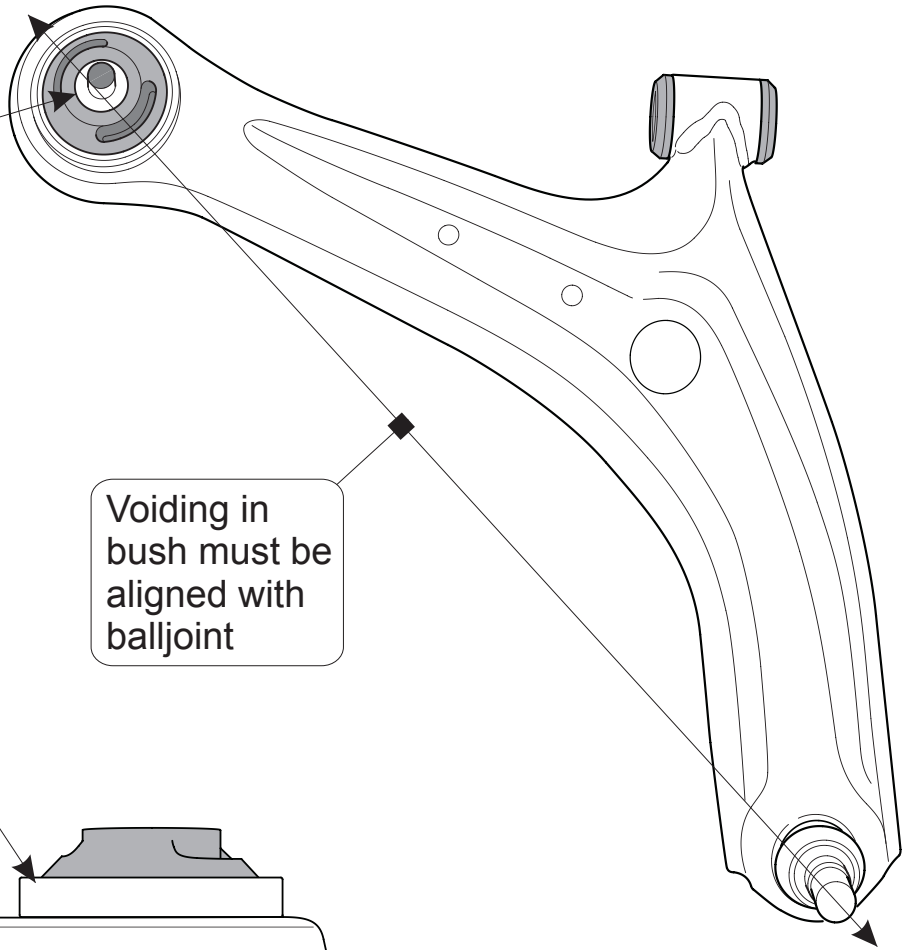
N.B: This installation guide should be used in conjunction with the workshop manual.

Right Hand Arm Shown

Ensure offset in crushtube is facing toward centre of vehicle

Voiding in bush must be aligned with balljoint

Press in bush till steel shell is flush with shoulder



N.B: It is recommended that a licenced workshop or trades person carry out the above procedure and that workshop manual and relevant safety procedures are followed in addition to the above.