

Installation Guide

Heavy Duty Support Bracket Set Front Lower Control Arm Rear Vertical Mount

Suits: Subaru Legacy BP, BL, - 09/03 - 08 All

Subaru Liberty BP, BL, - 09/03 - 08 All

Subaru Impreza MY08 - GR STI - 02/08 - On Turbo,
Subaru Impreza MY08 - GH WRX - 10/07 - On Turbo AWD

(Always refer to the current catalogue for complete application listings)

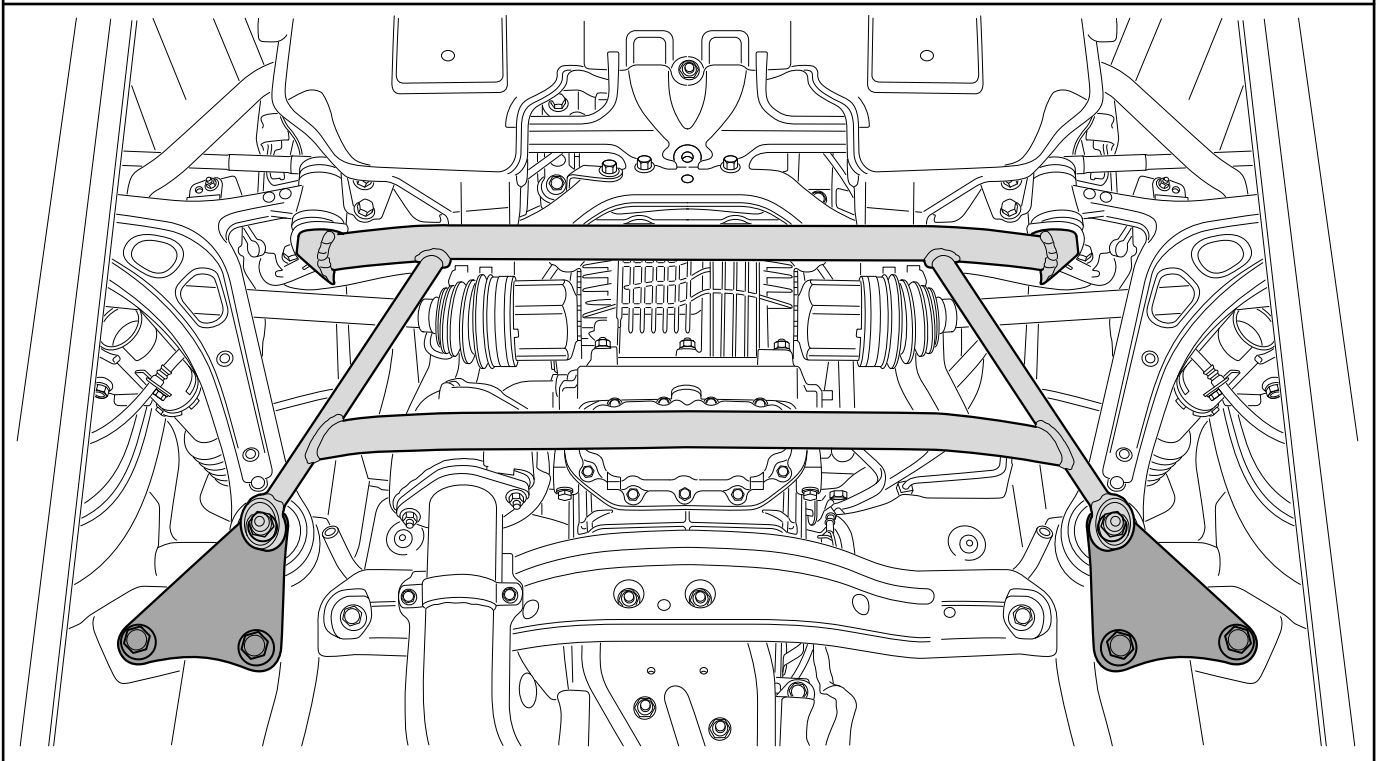
N.B: This installation guide should be used in conjunction with the workshop manual

HEAVY DUTY BRACKETS ARE DESIGNED TO OFFER EXTRA SUPPORT AND TO MAINTAIN THE POSITION OF THE FRONT LOWER CONTROL ARM REAR VERTICAL MOUNTED LOCATING PIN UNDER HIGH ACCELERATION, BRAKING AND SPIKE LOADS

FOR BEST RESULTS USE WITH UNDER CAR BRACE AS IN DIAGRAM BELOW



FRONT OF VEHICLE



N.B: It is recommended that a licenced workshop or trades person carry out the above procedure and that workshop manual and relevant safety procedures are followed in addition to the above.