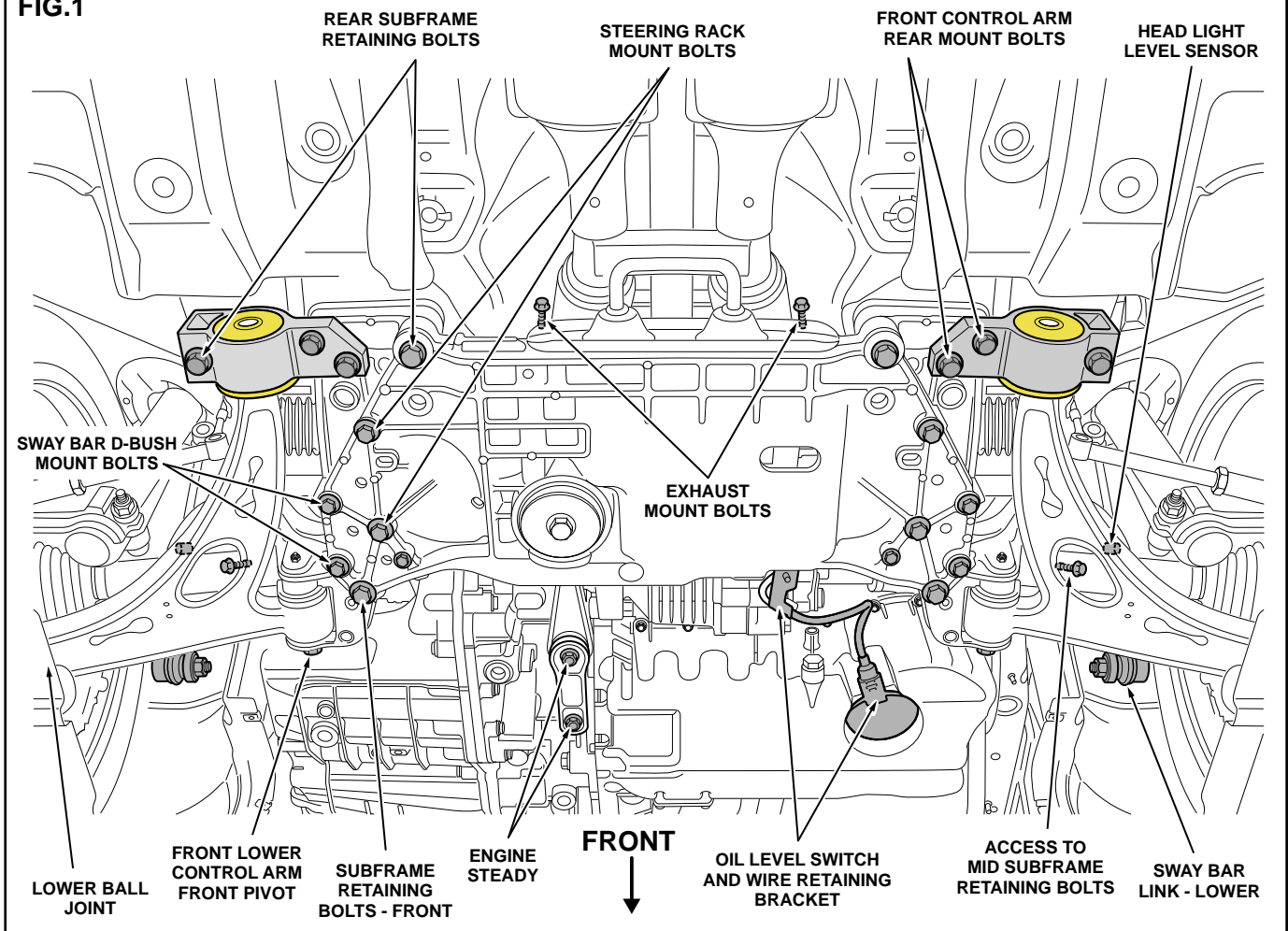


(Always refer to the current catalogue for complete application listings)

N.B: This installation guide should be used in conjunction with the workshop manual

1. Raise the vehicle on hoist or alternatively raise the front of the vehicle and place on safety stands (under sill jack points).
2. Remove the front under body/splash tray.
3. As per Fig.1:
 - Loosen front lower control arm front pivot bolt.
 - Remove: Engine oil level sensor connector and wiring bracket.
 - Remove: Engine exhaust pipe retaining bolts from rear of subframe.
 - Remove: Front head light level sensor and wiring connector. RHD = LH lower control arm.
 - Remove: Lower sway bar ball link retaining nuts.
 - Remove: Lower ball joint retaining nuts and swing lower arm down.
 - Remove: Sway bar d-mount retaining bolts and discard. New bolts are supplied in this kit.
 - Remove: Steering rack retaining bolts.
 - Remove: Engine steady/roll mount.
4. Support the subframe and remove the front, mid and rear retaining bolts.
 - NOTE: Do not lower the subframe too far as a wiring retaining bracket will now be accessible on the left hand side Mid mount. Remove the retaining bolt and lower the subframe to a good working height.**
5. Remove the OE front sway bar and mounting brackets.
6. Fit the front sway bar loosely into place and raise the subframe part way back into position. This is necessary, as the supplied D-bracket cannot be fitted prior to the location of the steering rack to the subframe.
7. Fit the supplied D-bush, D-bush bracket and spacer bracket as per figure 4 making sure the supplied bolts are passed through the mounts towards the ground.
- NOTE: Failure to place the supplied bolts in the correct direction may cause the bolt to contact the steering rack during turning.**
8. Refit the wiring loom retaining bolt (left hand side subframe mid mount) and make sure the oil level switch wiring is clear of the steering rack before re-fitting any retaining bolts.
9. Refit all removed components in reverse of the above procedure.
10. Tension all removed components to manufacturers specifications.
11. It is recommended that a wheel alignment be carried out at this point.

FIG.1



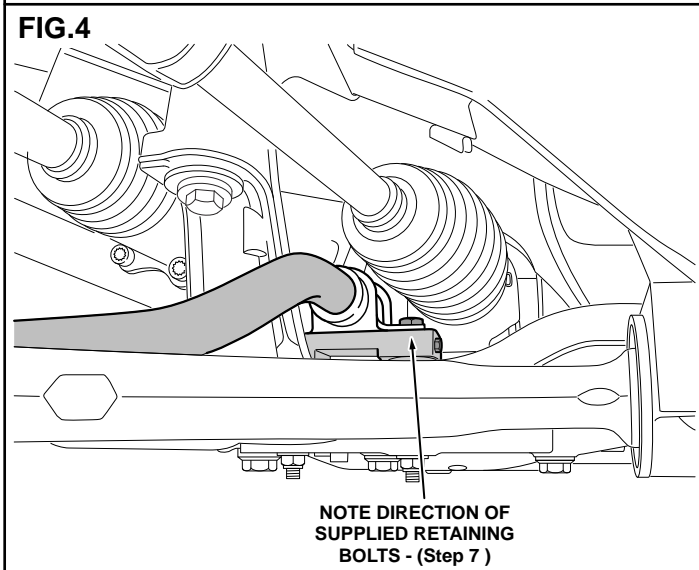
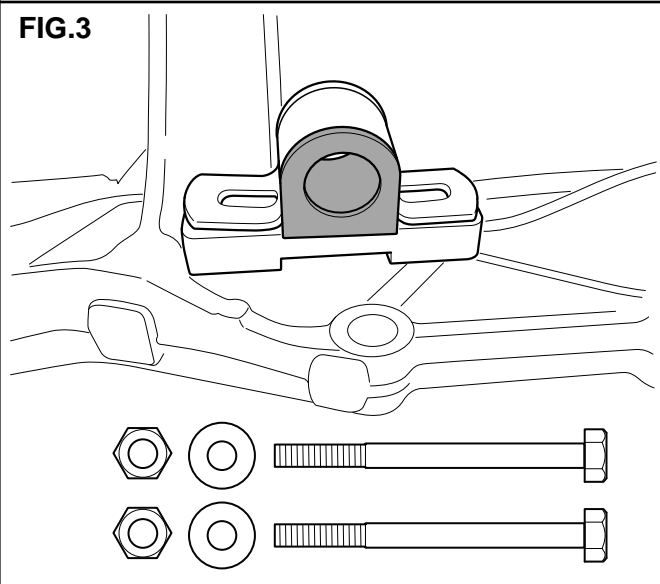
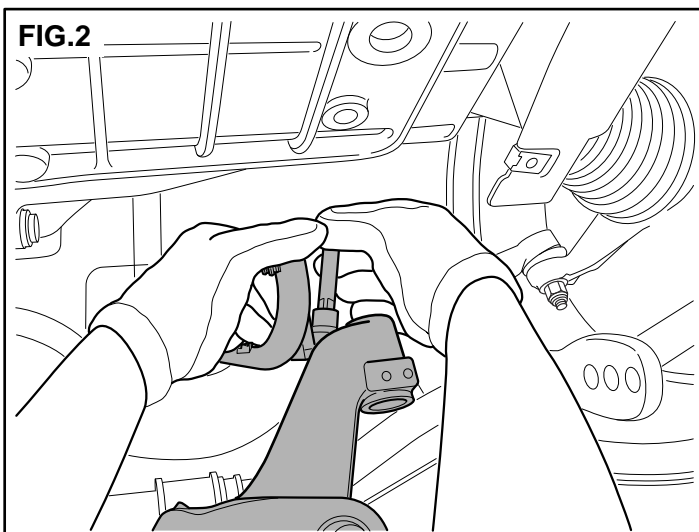
Installation Guide

Front Sway Bar Kit - Side 2

Suits: Golf Mk5 AWD

(Always refer to the current catalogue for complete application listings)

N.B: This installation guide should be used in conjunction with the workshop manual



N.B: It is recommended that a licenced workshop or trades person carry out the above procedure and that workshop manual and relevant safety procedures are followed in addition to the above.