

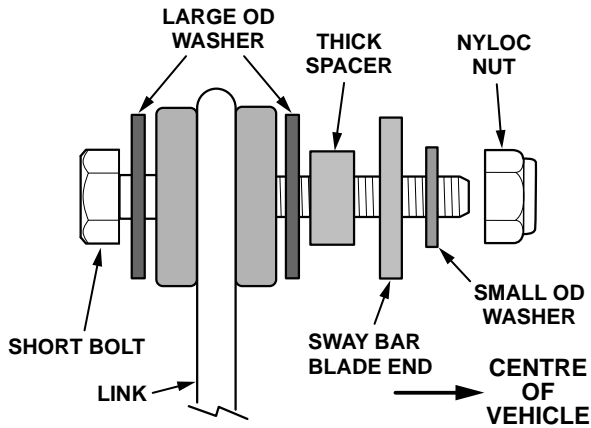
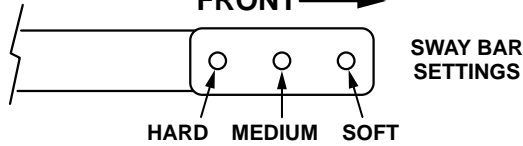
Rear Sway Bar - For Vehicles with no OE Rear Bar
Suits: Subaru Impreza 08 - on

(Always refer to the current catalogue for complete application listings)

N.B: This installation guide should be used in conjunction with the workshop manual

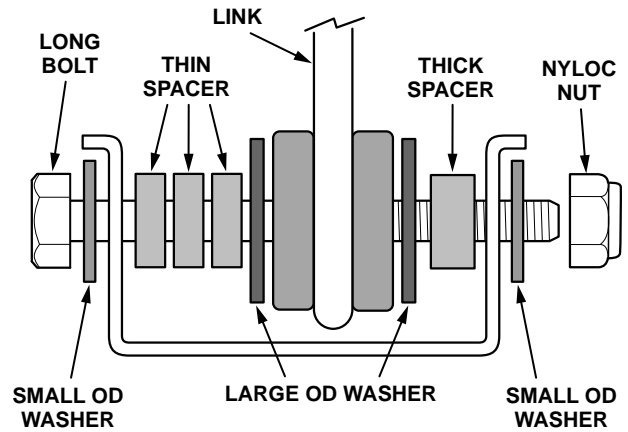
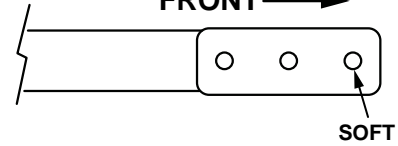
TOP LINK ASSEMBLY

FRONT →

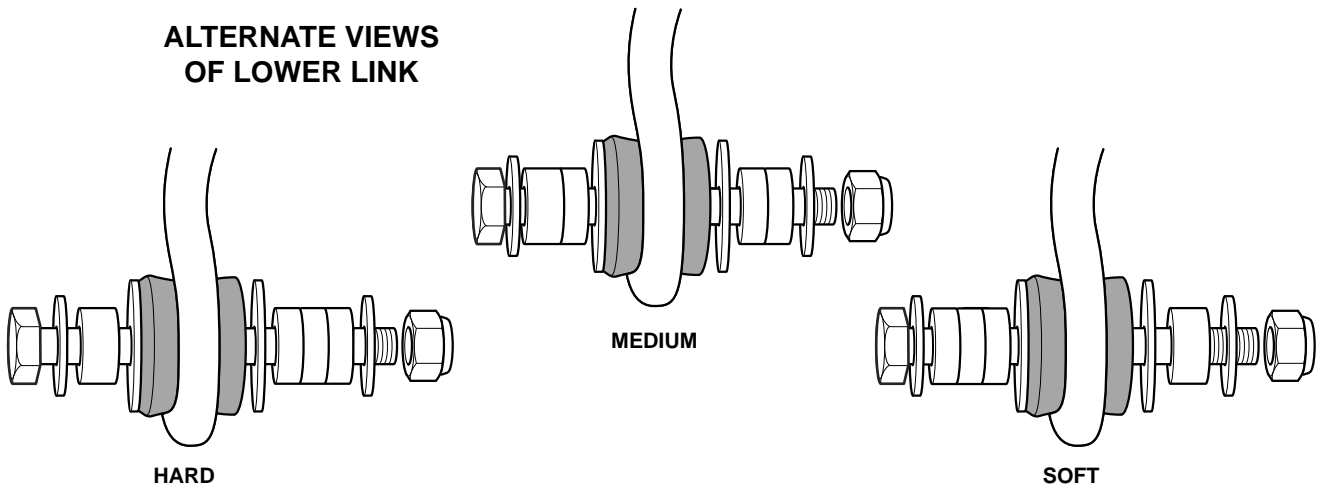


SOFT SETTING LOWER MOUNT

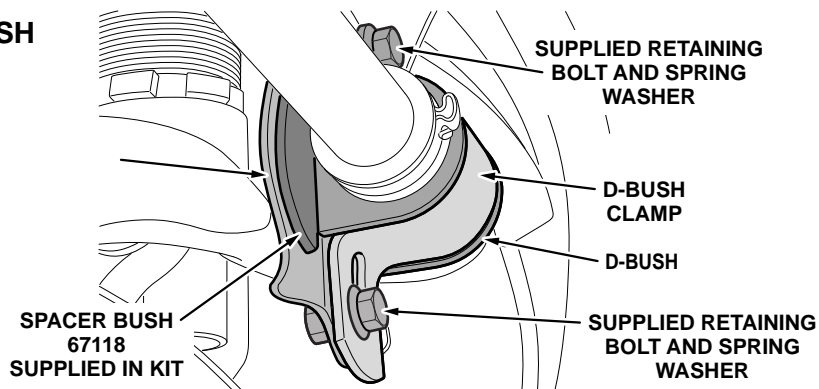
FRONT →



ALTERNATE VIEWS OF LOWER LINK



SWAY BAR D-BUSH ASSEMBLY



N.B: It is recommended that a licenced workshop or trades person carry out the above procedure and that workshop manual and relevant safety procedures are followed in addition to the above.