

# Instruction Sheet

## Heavy Duty Swaybar Mounting Bracket

**Suits: Mitsubishi Lancer EVO**

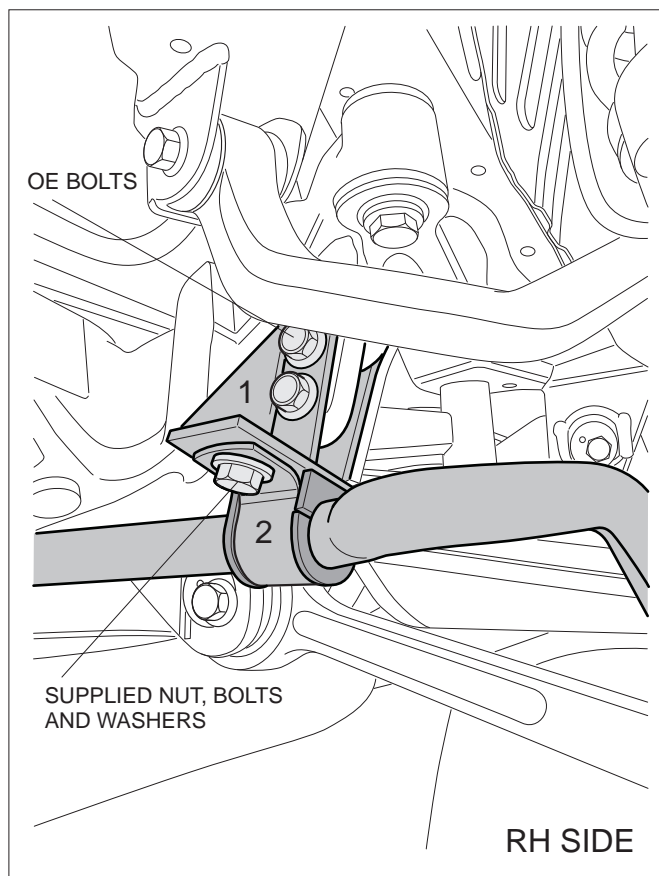
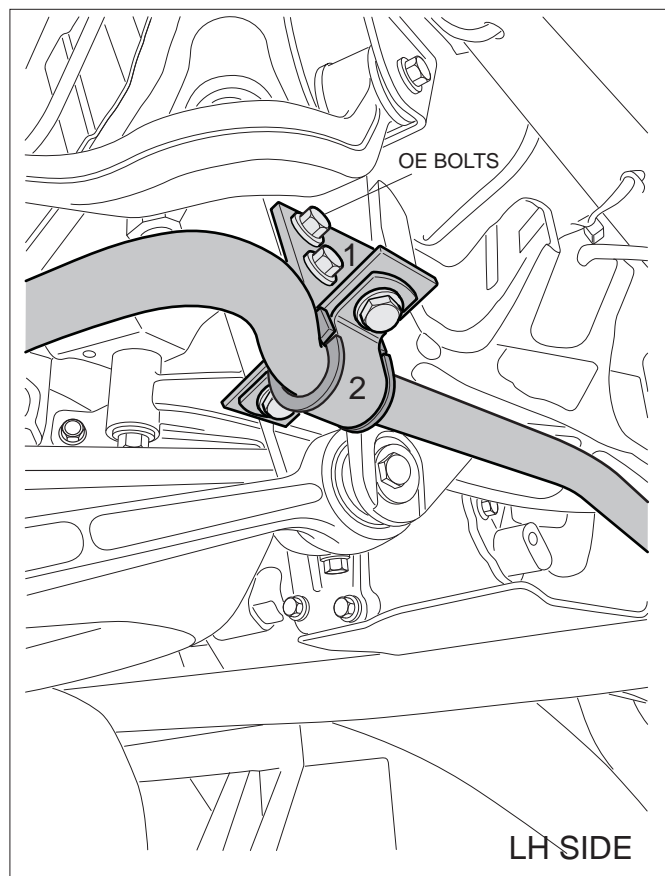
**N.B:** This instruction sheet should be used in conjunction with the workshop manual

### KIT CONTENTS:

1. 2x heavy duty swaybar bracket
2. 2x heavy duty saddle
3. 2x swaybar D bushings
4. 4x mounting nuts and bolts.
5. 8x washers

## INSTRUCTIONS

1. Raise vehicle and safely support.
2. Remove swaybar and mounting brackets. Do not discard the mounting bolts.
3. Using the OE mounting bolts, bolt up the heavy duty brackets. Note LH and RH side.
4. Lubricate D bush ID with the supplied grease.
5. Bolt up swaybar with the supplied mounting saddles, nuts and bolts.
6. Re check bolt tension after initial 100kms



Please drive slowly until you accustom yourself the vehicles changed behavior

**N.B:** It is recommended that a licenced workshop or tradesperson carry out the above procedure and that workshop manual and relevant safety procedures are followed in addition to the above.