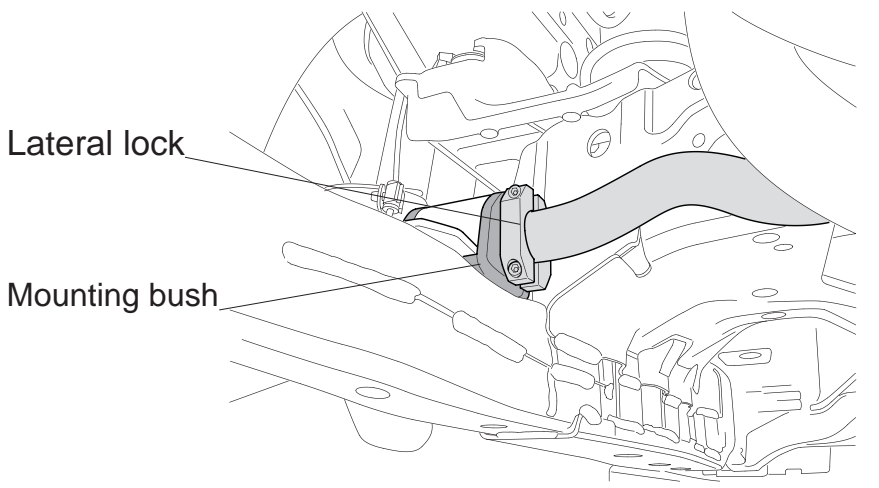


(Always refer to the current catalogue for complete application listings)

Alloy high performance lateral locks are designed to maintain Swaybar centralization.

1. Once you have your Swaybar in position and central with links attached, attach the lateral locks next to the mounting bush (leave approx 3-4mm gap). This can be either side of the mounting bush but its best to aim for the most accessible area on the Swaybar. If there is little room to physically tighten the lateral locks, it may be best to mark your Swaybar then remove from vehicle then attach the lateral locks prior to fitment.
2. Tighten the lateral lock bolts down evenly and use mild force to secure.
Note : Please don't over tighten.
3. After test driving the vehicle, recheck Swaybar position and adjust lateral locks if necessary.



N.B: It is recommended that a licenced workshop or trades person carry out the above procedure and that workshop manual and relevant safety procedures are followed in addition to the above.

Installation Guide

Heavy Duty Front Swaybar

Z 5212

(Always refer to the current catalogue for complete application listings)

Application:

- Ford Mustang

Contents:

- 1x 33mm adjustable Swaybar
- 2x mounting bush 67490
- 2x mounting bush 67510
- 2x alloy lateral locks

INSTRUCTIONS

1. Raise vehicle evenly and support with suitable jack stands or ramps.
2. Unbolt OE Swaybar links and mounting saddles and remove OE swaybar.
3. Clean any dirt/grease from the OE mounting saddles.
4. This Swaybar kit is supplied with 2 Swaybar mounting bush designs - check which mounting bush design you require for your vehicle (67490 or 67510) and discard other bushes.
5. Generously lubricate bush ID with the supplied grease.
6. Once swaybar is central and in position, tighten the mounting saddles and links.
7. Recheck all bolts after initial 100km.

N.B: This installation guide should be used in conjunction with the workshop manual. It is recommended that a licenced workshop or trades person carry out the below procedure and that workshop manual and relevant safety procedures are followed in addition to the below.