



AUTOMOTIVE PRODUCTS,

# INSTALLATION INSTRUCTIONS

## HDX EXTREME BOARD

### APPLICATION:

2015-2017 Ford F150 Super Crew and Super Cab  
2017 Ford F250/350 Super Cab and Crew Cab

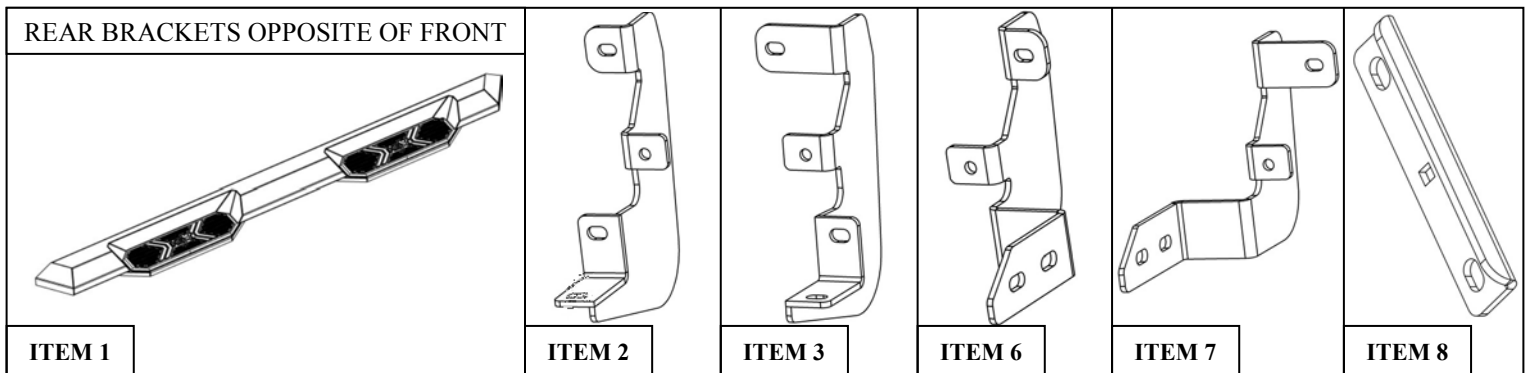
### PART NUMBER:

56-23935, 56-23945

ITEM	QUANTITY	DESCRIPTION	TOOLS NEEDED
1	2	RUNNING BOARDS	13MM SOCKET
2	1	DRIVER FRONT MOUNT BRACKET	13MM WRENCH
3	1	PASSENGER FRONT MOUNT BRACKET	ALLEN WRENCH
4	1	DRIVER REAR MOUNT BRACKET	SOCKET EXT.
5	1	PASSENGER REAR MOUNT BRACKET	RATCHET
6	1*	DRIVER CENTER MOUNT BRACKET	TORQUE WRENCH
7	1*	PASSENGER CENTER MOUNT BRACKET	
8	4 / 6*	UNIVERSAL MOUNT BRACKET	
9	24 / 36*	M8 SPLIT LOCK WASHER (YELLOW ZINC)	
10	24 / 36*	M8 FLAT WASHER (YELLOW ZINC)	
11	8 / 12*	M8 HEX HEAD CAP SCREW (YELLOW ZINC)	
12	16 / 24*	M8 HEX NUT (YELLOW ZINC)	
13	4 / 6*	M8 ROUND HEAD SQUARE NECK BOLT (BLACK ZINC)	
14	12 / 18*	M8 PLASTIC RETAINER SQUARE	

**\* SUPER CREW HAS CENTER MOUNT BRACKETS AND THEREFORE COMES WITH MORE HARDWARE**

**ANTI-SEIZE LUBRICANT MUST BE USED ON ALL STAINLESS STEEL FASTENERS TO PREVENT THREAD DAMAGE AND GALLING**

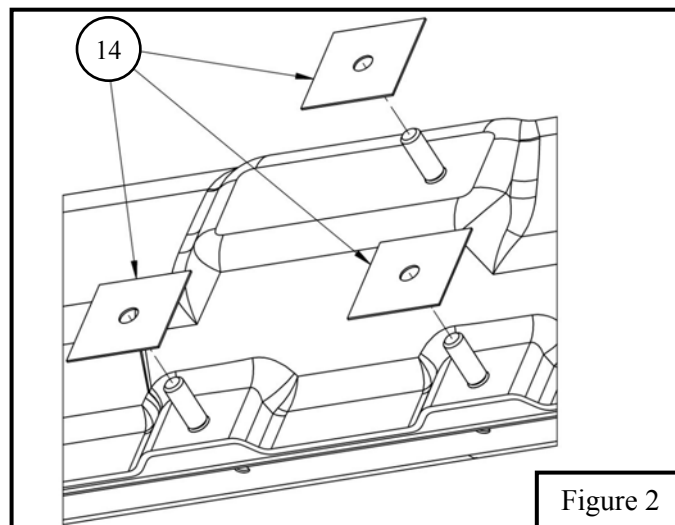
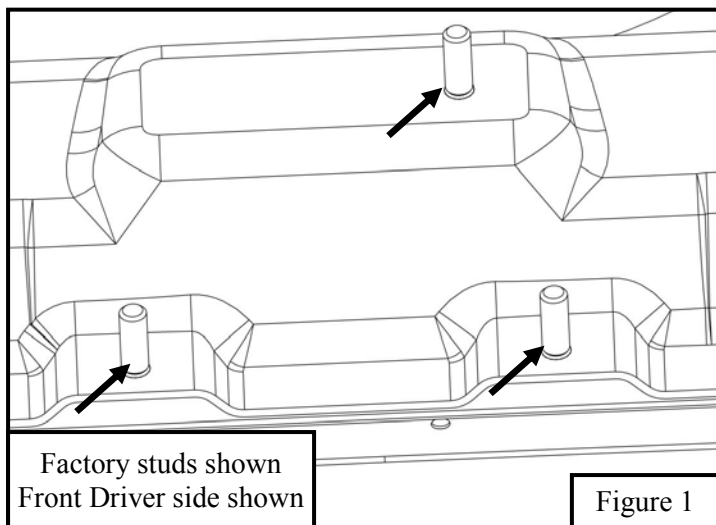


### CARE INSTRUCTIONS

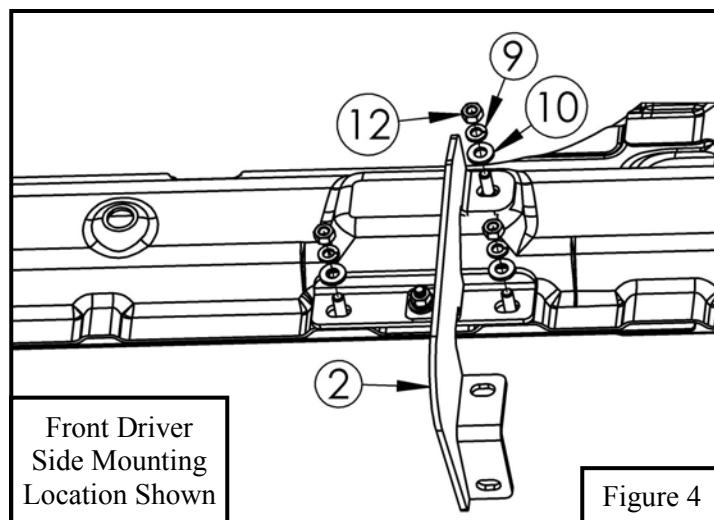
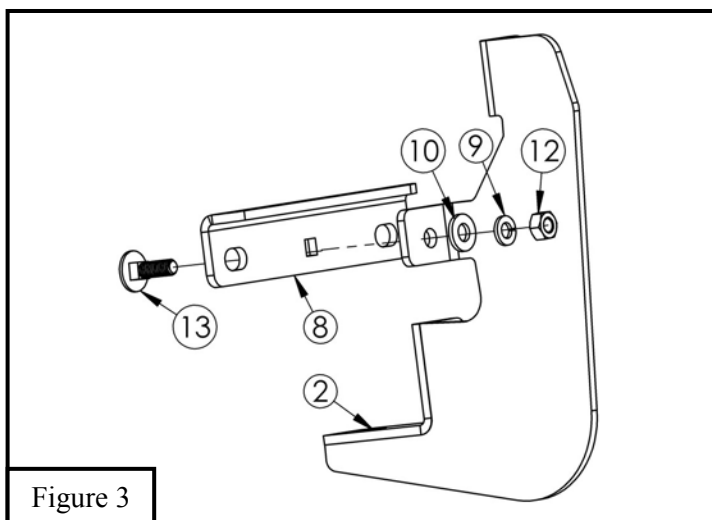
- REGULAR WAXING IS RECOMMENDED. DO NOT USE ANY TYPE OF POLISH OR WAX THAT MAY CONTAIN ABRASIVES.
- STAINLESS STEEL PRODUCTS CAN BE CLEANED WITH MILD SOAP AND WATER. STAINLESS STEEL POLISH SHOULD BE USED TO POLISH SMALL SCRATCHES.
- GLOSS BLACK FINISHES SHOULD BE CLEANED WITH MILD SOAP AND WATER.

## PROCEDURE

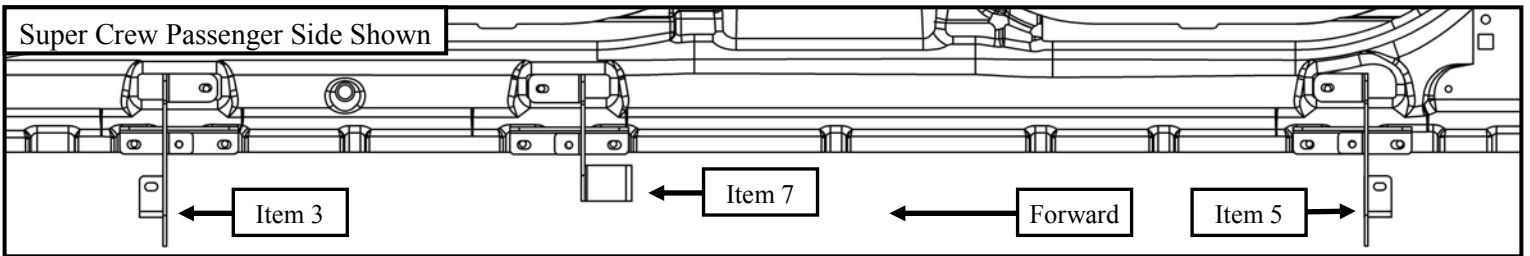
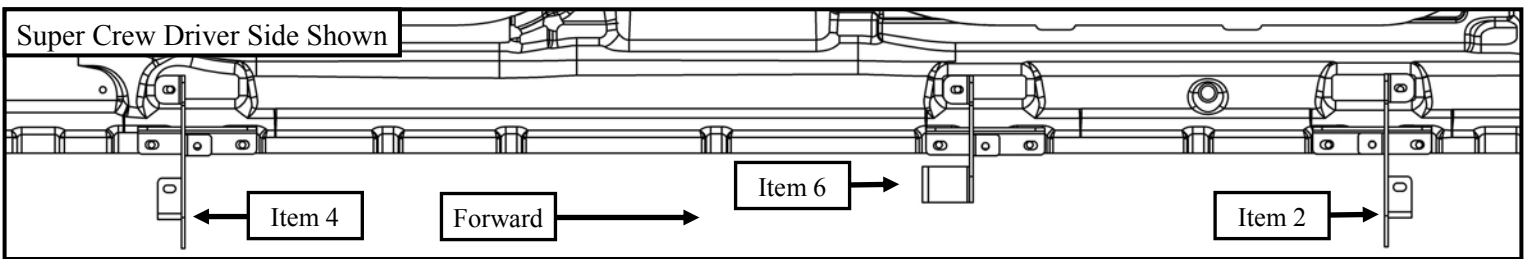
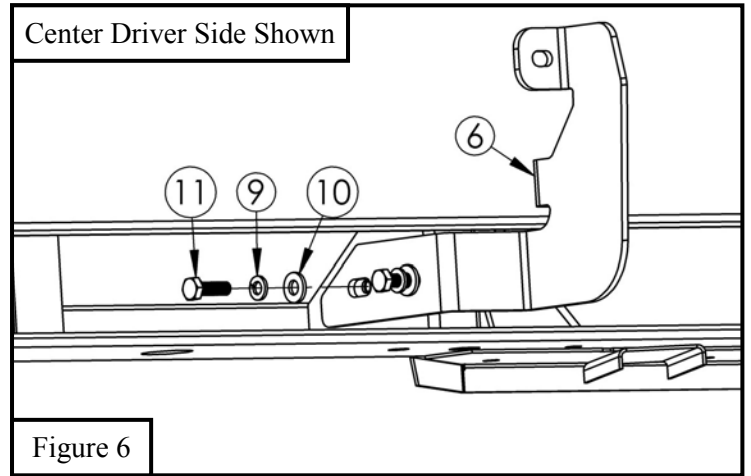
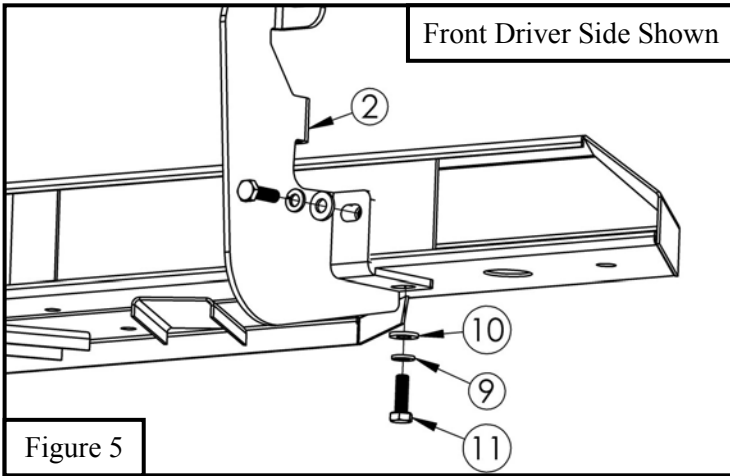
1. Remove contents from box, verify if all parts listed are present and free from damage.  
Carefully read and understand all instructions before attempting installation.  
**Failure to identify damage before installation could lead to a rejection of any claim.**
2. Start installation on driver's side. On the rocker panel find locations of factory studs. In each location there should be 3 studs. (**Note:** Super Cab has two locations and Super Crew has three locations.) **See Figure 1.**
3. Insert (1) M8 Plastic Retainer (Item 14) on each factory stud. (**Note:** There will be 6 extra plastic retainers for the super cab model.) **See Figure 2.**



4. Insert the M8 round head square neck bolt (Item 13) through the Universal Mounting Bracket's (Item 8) square hole. Then insert the M8 round head square neck bolt through mounting brackets (Item 2 - 7) bottom circular hole. Loosely secure with (1) M8 hex nut, (1) M8 split lock washer, and (1) M8 flat washer. (**Note:** For Super Cab model there will be 4 Universal Mounting Brackets and for the Super Crew model there are 6.) **See Figure 3.**
5. Align sub-assembly with the 3 factory studs. Lower 2 factory studs will align with the Universal Mounting Bracket and top factory stud will align with mounting brackets. Loosely secure sub-assembly with (3) M8 hex nut, (3) M8 split lock washer, and (3) M8 flat washer. **See Figure 4.** (**Note:** See page 3 for bracket orientation)
6. Repeat **Step 3-5** for every mounting location.



7. For Step Board installation to the previously installed mounting brackets use the supplied M8 hardware. See Figures 5 & 6.
8. Align step bar and brackets to desired positioning then torque and tighten all: M8 hardware to 15-18 ft-lbs.



NOTE : (FOR SUPER CAB APPLICATIONS THE ORIENTATION OF BRACKETS ARE THE SAME. THE ONLY DIFFERENCE IS IT WILL **NOT** HAVE CENTER BRACKETS.)

INSTALLATION COMPLETE



# Westin

SIGNATURE OF QUALITY

AUTOMOTIVE PRODUCTS, INC.



## WARNING



Failure to follow these instructions could lead to death, personal injury, and / or property damage.

### FASTENERS:

All Westin supplied fasteners must be utilized and installed in accordance with the installation instructions and apply torque to the specifications as defined. **DOUBLE CHECK ALL FASTENERS BEFORE INITIAL USE, AND PERIODICALLY IN THE FUTURE TO ENSURE PROPER FUNCTION AND SAFETY.**

### DRILLING:

Most Westin products do not require drilling for installation. If drilling is defined as required, use caution when drilling a vehicle. **FAILURE TO REVIEW AN AREA TO BE DRILLED MAY RESULT IN PERSONAL INJURY AND/OR INJURY TO OTHERS AS WELL AS VEHICLE DAMAGE.**

### EYE PROTECTION:

**ALWAYS WEAR SAFETY GLASSES OR GOGGLES DURING THE INSTALLATION PROCESS TO AVOID PERSONAL INJURY.**

### MAXIMUM TOWING/CARRYING CAPACITY:

The Westin Receiver Hitches will have a visible tow rating label affixed directly on the product. User should never exceed the vehicle manufacturers maximum tow and weight rating regardless of the capacity of the hitch. **FAILURE TO FOLLOW THESE GUIDELINES WILL VOID THE WESTIN WARRANTY AND MAY RESULT IN PERSONAL INJURY AND/OR INJURY TO OTHERS AS WELL AS VEHICLE DAMAGE.**

Feel the difference with Westin.

Check out the collection of side steps and nerf bars we offer.