



INSTALLATION INSTRUCTIONS

HDX XTREME BOARD

APPLICATION:

2007-2016 Toyota Tundra Crew Max

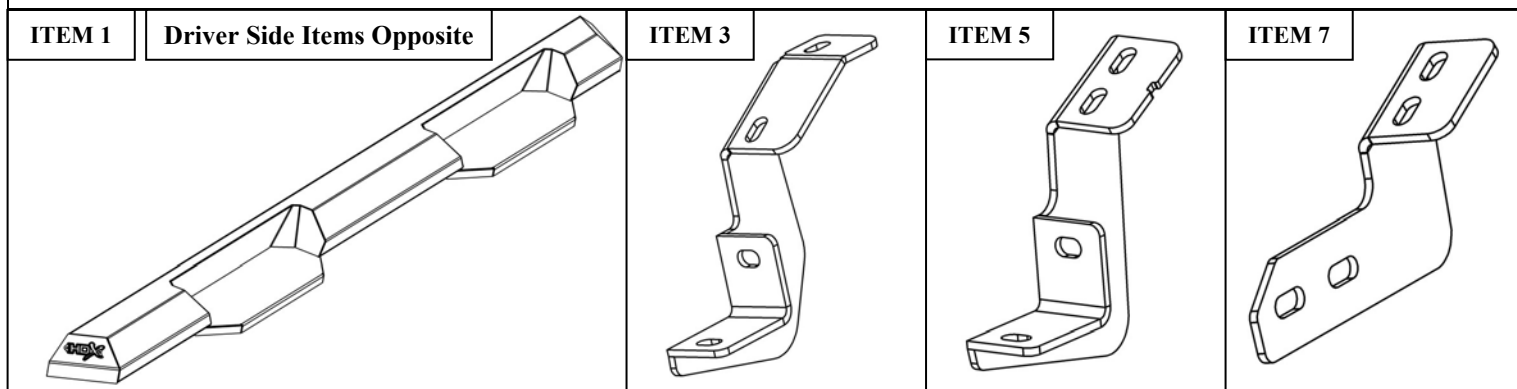
AUTOMOTIVE PRODUCTS,

PART NUMBER:

56-23255

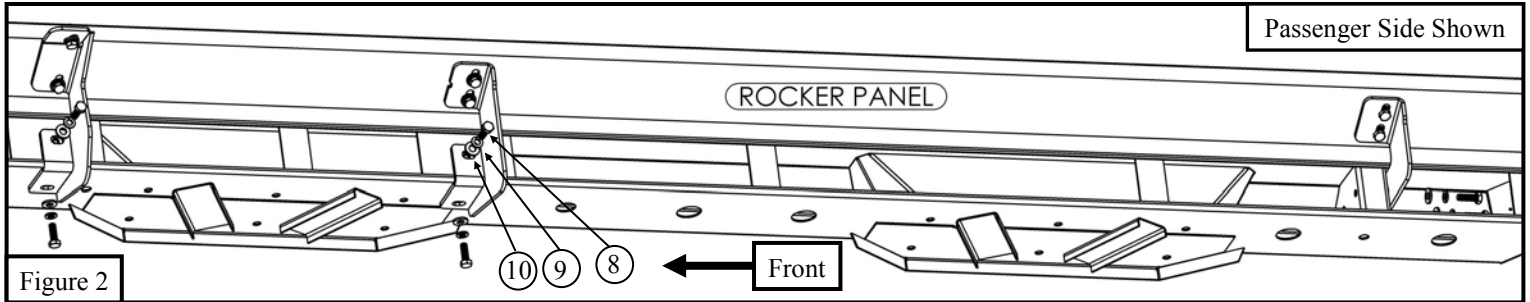
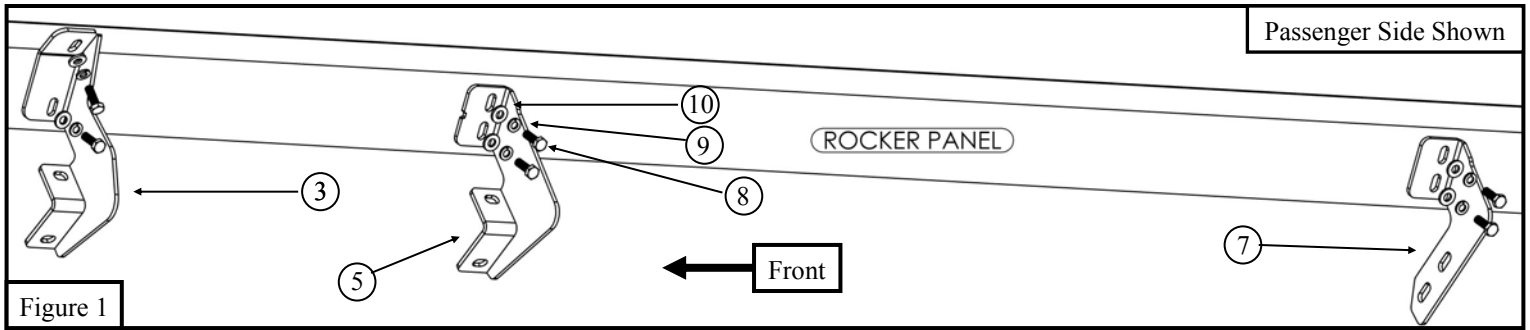
ITEM	QUANTITY	DESCRIPTION	TOOLS NEEDED
1	2	RUNNING BOARDS	13MM SOCKET
2,3	2	FRONT MOUNT BRACKET, DRIVER (2) AND PASSENGER (3)	13MM WRENCH
4,5	2	CENTER MOUNT BRACKET, DRIVER (4) AND PASSENGER (5)	RATCHET
6,7	2	REAR MOUNT BRACKET, DRIVER (6) AND PASSENGER (7)	SOCKET EXT.
8	24	M8 HEX HEAD CAP SCREW (YELLOW ZINC)	
9	24	M8 SPLIT LOCK WASHER (YELLOW ZINC)	
10	24	M8 FLAT WASHER (YELLOW ZINC)	

ANTI-SEIZE LUBRICANT MUST BE USED ON ALL STAINLESS STEEL FASTENERS TO PREVENT THREAD DAMAGE AND GALLING



PROCEDURE

- Remove contents from box, verify if all parts listed are present and free from damage. Carefully read and understand all instructions before attempting installation.
Failure to identify damage before installation could lead to a rejection of any claim.
- Start installation on passenger side of the vehicle. Locate mounting locations with factory threaded holes with screws or caps installed in them. Remove factory screws or caps from threaded holes, factory screws will not be used again. Locate (1) Front Mounting Bracket (item 3) and loosely install it to the front mounting location on the rocker panel using (2) M8 hex head cap screw, (2) M8 split lock washer, and (2) M8 flat washer (Items 8-10). Locate the Center/Rear Mounting bracket (item 5 & 7) and loosely secure in the correct mounting locations on the rocker panel. Loosely install using the provided M8 hardware (Items 8-10). **See Figure 1.**
- Repeat step 2 for other side.
- Loosely secure the both running boards onto the previously installed brackets using the provided M8 hardware. **See Figure 2.**
- Align and adjust the brackets and running boards as necessary and then torque: M8 hardware to 20 ft-lbs.



INSTALLATION COMPLETE



Step pads not shown

CARE INSTRUCTIONS

- REGULAR WAXING IS RECOMMENDED. DO NOT USE ANY TYPE OF POLISH OR WAX THAT MAY CONTAIN ABRASIVES.
- STAINLESS STEEL PRODUCTS CAN BE CLEANED WITH MILD SOAP AND WATER. STAINLESS STEEL POLISH SHOULD BE USED TO POLISH SMALL SCRATCHES.
- GLOSS BLACK FINISHES SHOULD BE CLEANED WITH MILD SOAP AND WATER.

Westin

SIGNATURE OF QUALITY

AUTOMOTIVE PRODUCTS, INC.



WARNING



Failure to follow these instructions could lead to death, personal injury, and / or property damage.

FASTENERS:

All Westin supplied fasteners must be utilized and installed in accordance with the installation instructions and apply torque to the specifications as defined. **DOUBLE CHECK ALL FASTENERS BEFORE INITIAL USE, AND PERIODICALLY IN THE FUTURE TO ENSURE PROPER FUNCTION AND SAFETY.**

DRILLING:

Most Westin products do not require drilling for installation. If drilling is defined as required, use caution when drilling a vehicle. **FAILURE TO REVIEW AN AREA TO BE DRILLED MAY RESULT IN PERSONAL INJURY AND/OR INJURY TO OTHERS AS WELL AS VEHICLE DAMAGE.**

EYE PROTECTION:

ALWAYS WEAR SAFETY GLASSES OR GOGGLES DURING THE INSTALLATION PROCESS TO AVOID PERSONAL INJURY.

MAXIMUM TOWING/CARRYING CAPACITY:

The Westin Receiver Hitches will have a visible tow rating label affixed directly on the product. User should never exceed the vehicle manufacturers maximum tow and weight rating regardless of the capacity of the hitch. **FAILURE TO FOLLOW THESE GUIDELINES WILL VOID THE WESTIN WARRANTY AND MAY RESULT IN PERSONAL INJURY AND/OR INJURY TO OTHERS AS WELL AS VEHICLE DAMAGE.**

Rely on premium side steps and nerf bars made by Westin if you're looking for quality and efficiency.