



INSTALLATION INSTRUCTIONS

HDX XTREME BOARD

APPLICATION:

2005-2016 Toyota Tacoma Double Cab

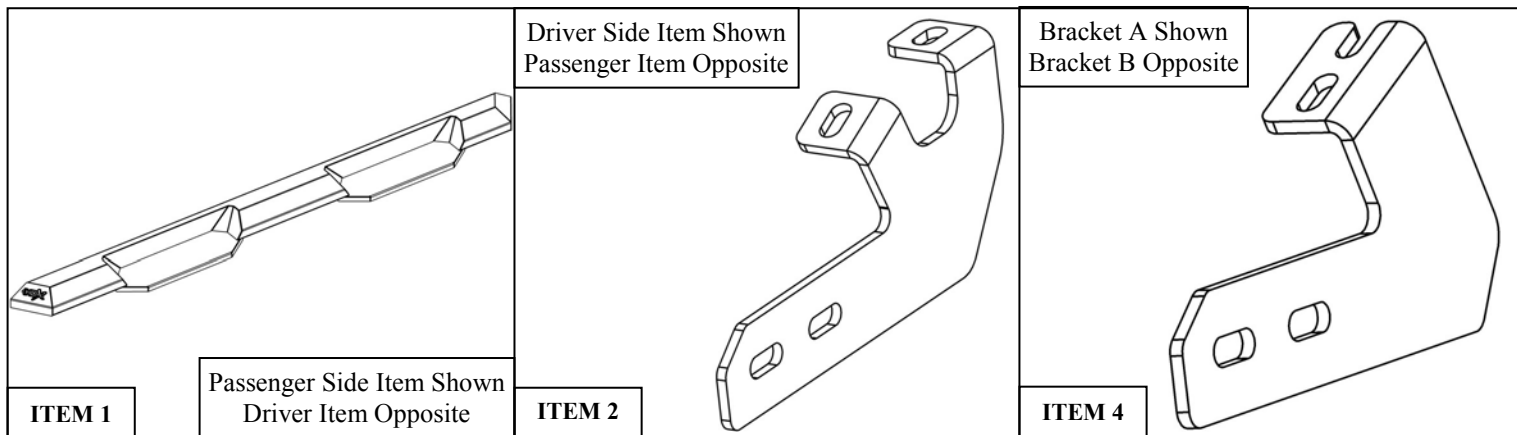
AUTOMOTIVE PRODUCTS,

PART NUMBER:

56-22775

CONTENT			
ITEM	QUANTITY	DESCRIPTION	TOOLS NEEDED
1	2	STEP BAR ASSEMBLY	RATCHET
2,3	2	FRONT MOUNT BRACKET, DRIVER (2) AND PASSENGER (3)	TORQUE WRENCH
4	2	MOUNT BRACKET A	13MM SOCKET
5	2	MOUNT BRACKET B	13MM WRENCH
6	24	M8 HEX HEAD CAP SCREW	SOCKET EXT.
7	24	M8 SPLIT LOCK WASHER	FLASH LIGHT
8	24	M8 FLAT WASHER	

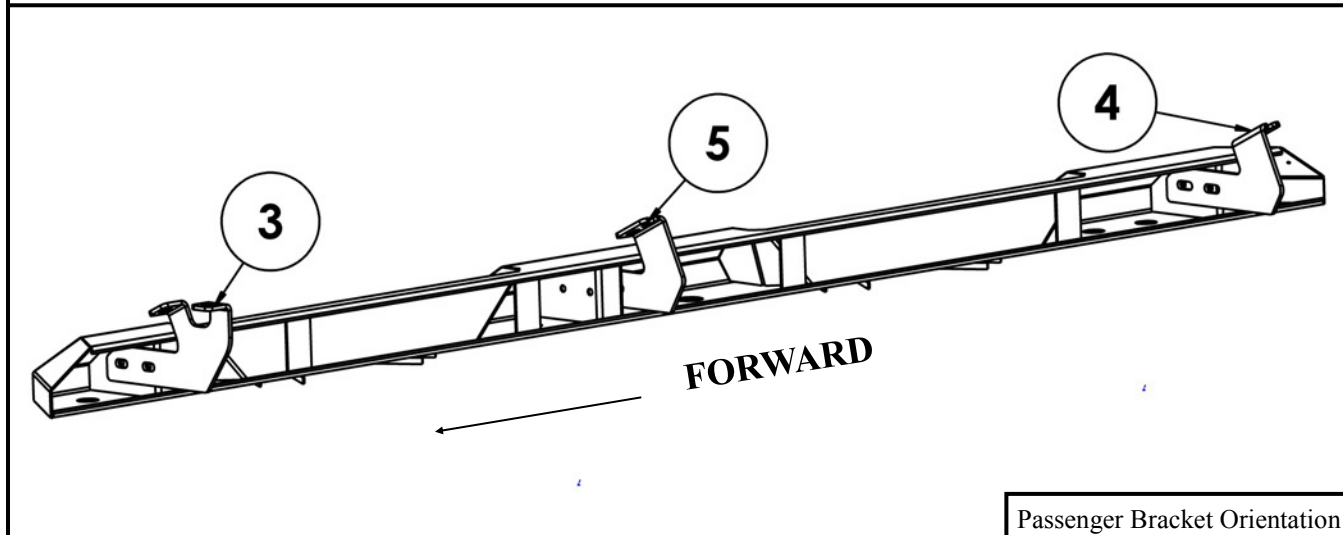
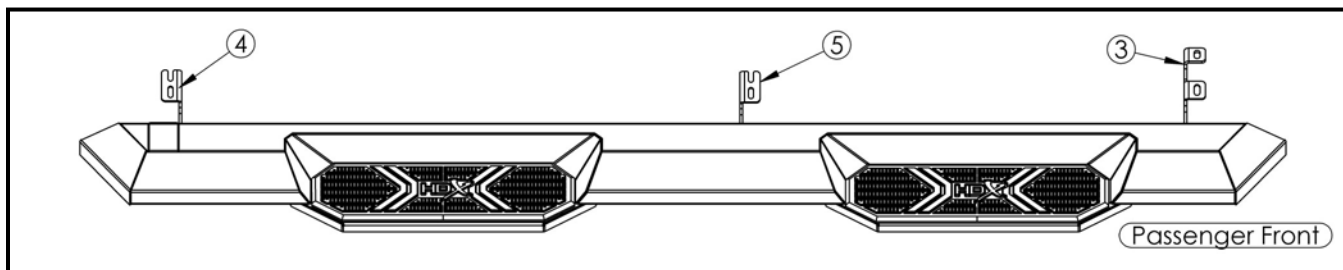
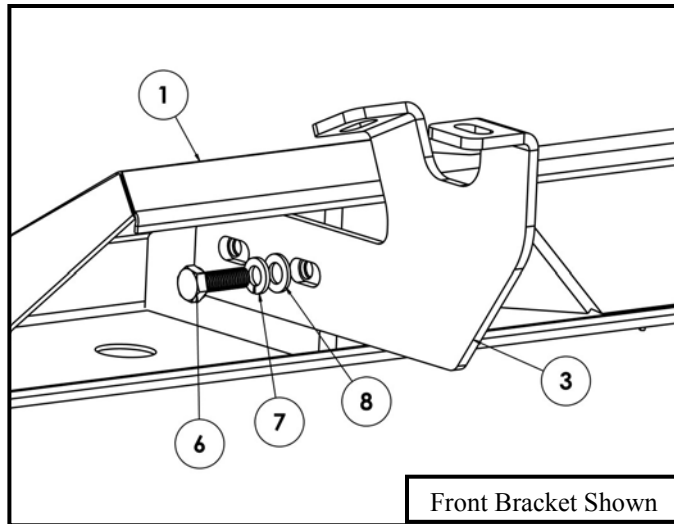
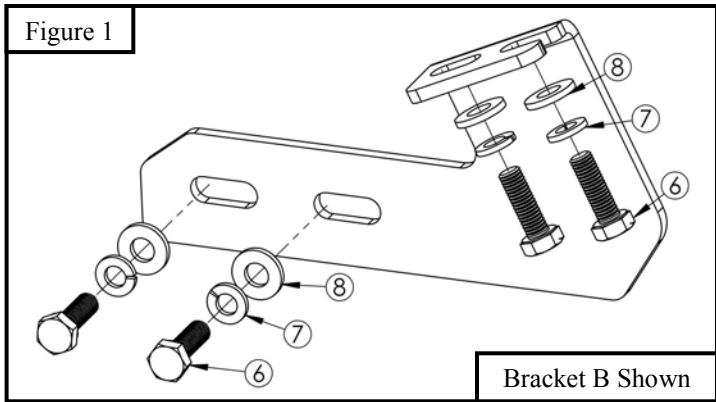
ANTI-SEIZE LUBRICANT MUST BE USED ON ALL STAINLESS STEEL FASTENERS TO PREVENT THREAD DAMAGE AND GALLING



PROCEDURE

- Remove contents from box, verify if all parts listed are present and free from damage. Carefully read and understand all instructions before attempting installation.
Failure to identify damage before installation could lead to a rejection of any claim.
- Start installation on driver side of the vehicle. Locate mounting locations with factory threaded holes with caps covering them. Remove factory caps from threaded holes, they will not be used again.
- Locate (1) Driver Front Mount Bracket (Item 2), (1) Mount Bracket A, and (1) Mount Bracket B. Loosely secure the brackets onto the vehicle's frame using the provided M8 hardware. See **Figure 1**.
- On the passenger side repeat Step 2 and loosely secure the remaining brackets onto the vehicle's frame using the provided M8 hardware. See **Figure 1** and refer to **Passenger Bracket Orientation**.
- Loosely secure the Step Bar Assembly (Item 1) onto the previously installed brackets using the provided M8 hardware. See **Figure 1**.
- Align step bar and brackets to desired positioning then torque and tighten all: M8 hardware to 20 ft-lbs.

Figure 1





INSTALLATION COMPLETE

Note: Step Pads are missing in installation complete

Care Instructions

- REGULAR WAXING IS RECOMMENDED. DO NOT USE ANY TYPE OF POLISH OR WAX THAT MAY CONTAIN ABRASIVES.
- STAINLESS STEEL PRODUCTS CAN BE CLEANED WITH MILD SOAP AND WATER. STAINLESS STEEL POLISH SHOULD BE USED TO POLISH SMALL SCRATCHES.
- GLOSS BLACK FINISHES SHOULD BE CLEANED WITH MILD SOAP AND WATER.

Westin

SIGNATURE OF QUALITY

AUTOMOTIVE PRODUCTS, INC.



WARNING



Failure to follow these instructions could lead to death, personal injury, and / or property damage.

FASTENERS:

All Westin supplied fasteners must be utilized and installed in accordance with the installation instructions and apply torque to the specifications as defined. **DOUBLE CHECK ALL FASTENERS BEFORE INITIAL USE, AND PERIODICALLY IN THE FUTURE TO ENSURE PROPER FUNCTION AND SAFETY.**

DRILLING:

Most Westin products do not require drilling for installation. If drilling is defined as required, use caution when drilling a vehicle. **FAILURE TO REVIEW AN AREA TO BE DRILLED MAY RESULT IN PERSONAL INJURY AND/OR INJURY TO OTHERS AS WELL AS VEHICLE DAMAGE.**

EYE PROTECTION:

ALWAYS WEAR SAFETY GLASSES OR GOGGLES DURING THE INSTALLATION PROCESS TO AVOID PERSONAL INJURY.

MAXIMUM TOWING/CARRYING CAPACITY:

The Westin Receiver Hitches will have a visible tow rating label affixed directly on the product. User should never exceed the vehicle manufacturers maximum tow and weight rating regardless of the capacity of the hitch. **FAILURE TO FOLLOW THESE GUIDELINES WILL VOID THE WESTIN WARRANTY AND MAY RESULT IN PERSONAL INJURY AND/OR INJURY TO OTHERS AS WELL AS VEHICLE DAMAGE.**

Rely on premium side steps and nerf bars made by Westin if you're looking for quality and efficiency.