



INSTALLATION INSTRUCTIONS

HDX Drop Step

AUTOMOTIVE PRODUCTS,

APPLICATION:

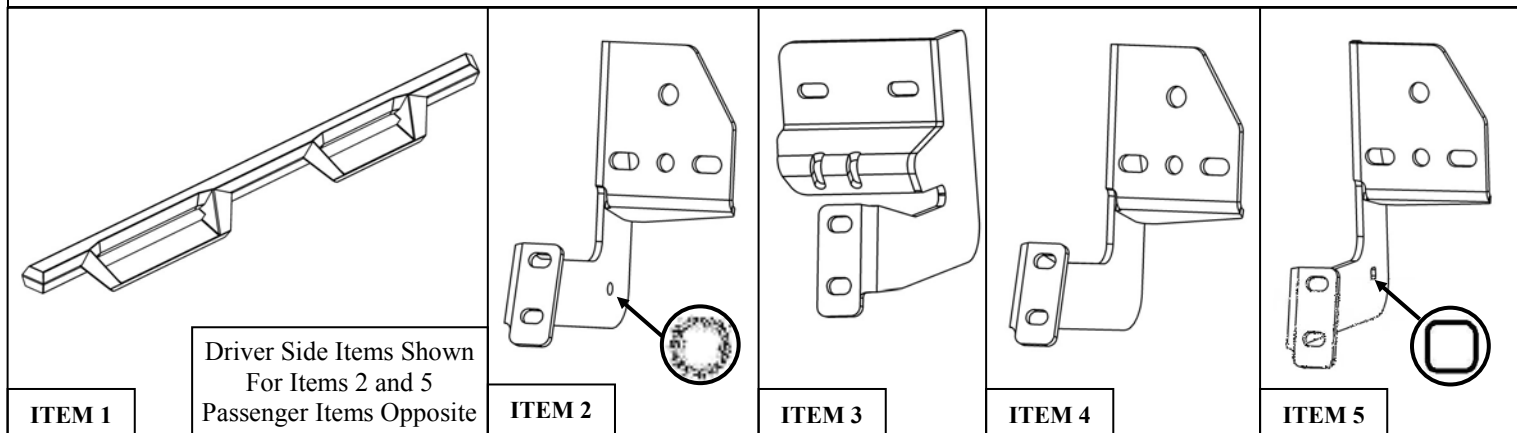
2009-2015 Dodge Ram - Quad Cab / Crew Cab - 1500
 2009-2015 Dodge Ram - Quad Cab / Crew Cab - 2500 / 3500
 (Excl. Cab Chassis w/Def Tank)

PART NUMBER:

56-13555, 56-13565

CONTENT			
ITEM	QUANTITY	DESCRIPTION	TOOLS NEEDED
1	2	STEP BAR ASSEMBLY	RATCHET
2	2	CENTER MOUNT BRACKET, DRIVER AND PASSENGER	TORQUE WRENCH
3	1	DRIVER FRONT MOUNT BRACKET	10MM SOCKET
4	1	PASSENGER FRONT MOUNT BRACKET	13MM SOCKET
5	2	REAR MOUNT BRACKET, DRIVER AND PASSENGER	13MM WRENCH
6	6	M10 BOLT / M8 NUT PLATE	SOCKET EXT.
7	6	M8 HEX RIV-CERT (YELLOW ZINC)	ALLEN WRENCH
8	6	M10 HEX NUT (YELLOW ZINC)	
9	6	M10 SPLIT LOCK WASHER (YELLOW ZINC)	
10	6	M10 FLAT WASHER (YELLOW ZINC)	
11	12	LONG M8 HEX HEAD CAP SCREW (YELLOW ZINC)	
12	12	SHORT M8 HEX HEAD CAP SCREW (YELLOW ZINC)	
13	24	M8 SPLIT LOCK WASHER (YELLOW ZINC)	
14	24	M8 FLAT WASHER (YELLOW ZINC)	
15	2	M6 BUTTON HEAD CAP SCREW (BLACK ZINC)	
16	2	M6 SERRATED FLANGE NUT (BLACK ZINC)	
17	2	M6 FLAT WASHER (BLACK ZINC)	
18	6	M10 PLASTIC RETAINER SQUARE	

ANTI-SEIZE LUBRICANT MUST BE USED ON ALL STAINLESS STEEL FASTENERS TO PREVENT THREAD DAMAGE AND GALLING



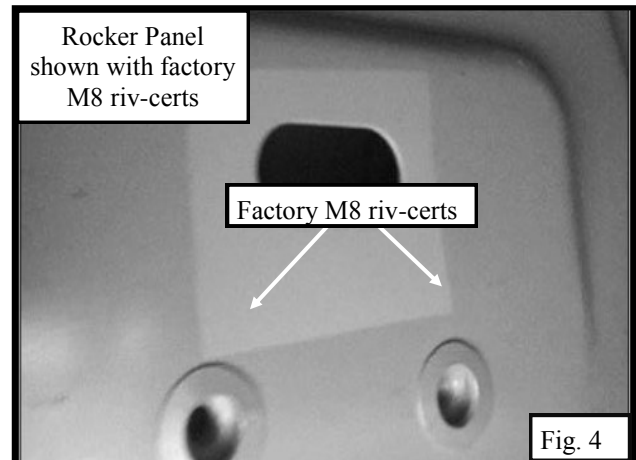
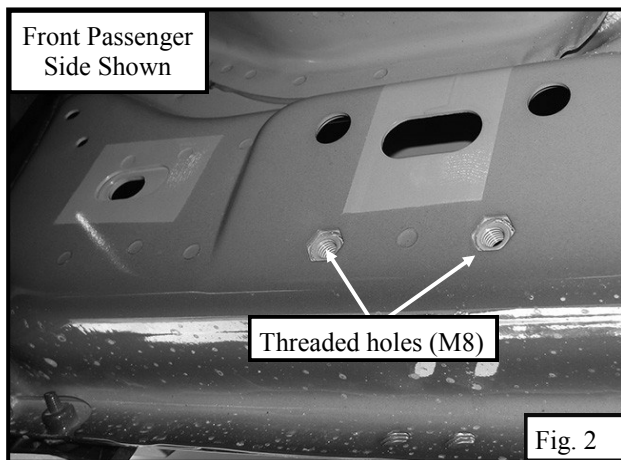
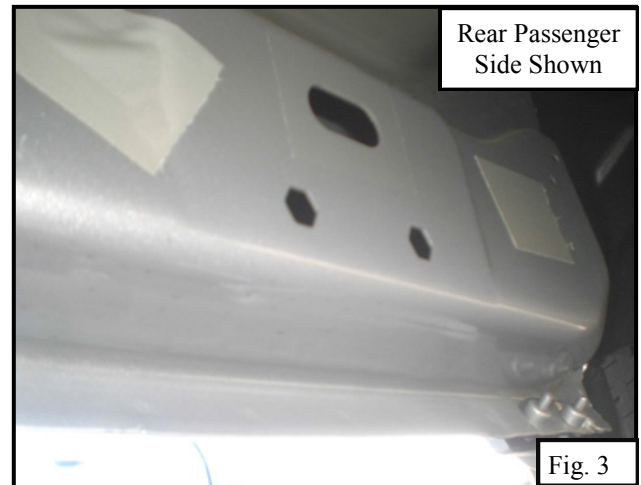
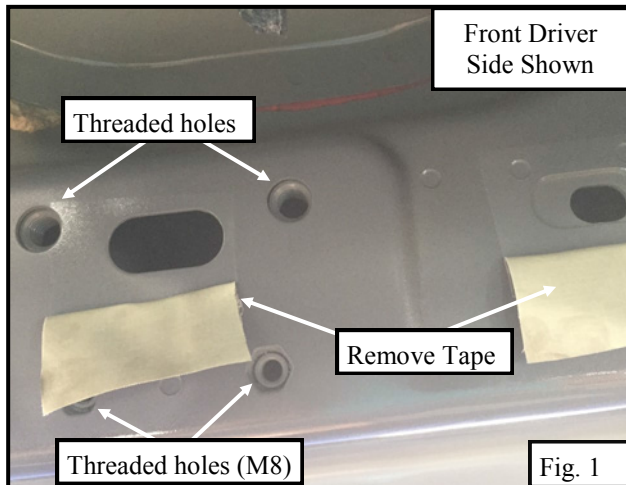
PROCEDURE

1. Remove contents from box, verify if all parts listed are present and free from damage.

Carefully read and understand all instructions before attempting installation.

Failure to identify damage before installation could lead to a rejection of any claim.

2. Check either side of the vehicles rocker panel, locate the factory holes in the rocker panel by removing the tape. Check and verify what type of rocker panel you have. **See Fig. 1, 2, 3, & 4.** *Note:* If any of the locations on the factory holes in the rocker panel have factory M8 riv-certs or threaded M8 holes, do not use provided M8 riv-certs (Item 7) at that location. **Refer to Fig. 1, 2, & 4.**



3. **Starting from the driver side:** If the threaded holes are not present use (1) M8 riv-certs (item 7) and insert one into the either hex hole. *Note:* See **Figure 6** for example on how to tighten M8 riv-certs, it will require to use an M10 bolt with M8 nut plate (Item 6) along with a bracket to perform this task. Use **Figure 7** on how to position (Item 6). This procedure will permanently install M8 riv-cert. Move item 6 to appropriate location, **See Figure 11.**
4. Proceed to install the front mounting bracket (Item 3) onto the rocker panel by using (2) long M8 hex cap screws, (2) M8 lock washers, (2) M8 flat washers. For the pinch weld, attach bracket (item 3) by using the provided black zinc M6 hardware. *Note:* Drilling of two 1/4" holes might be necessary on pinch weld if factory holes are not present. Before drilling place masking tape on drill surface to prevent paint chipping.) **See Fig. 9 & 10.**

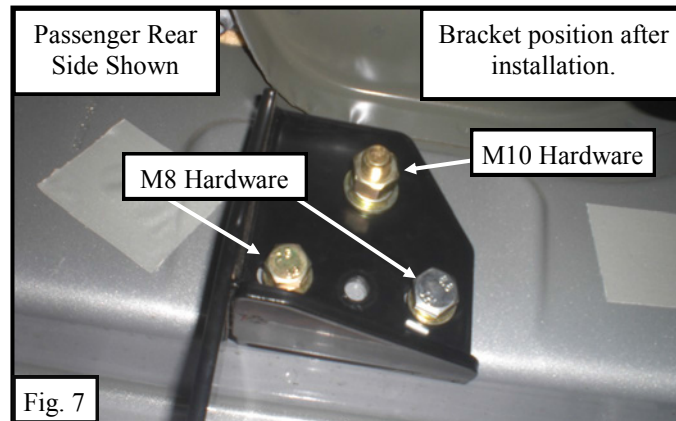
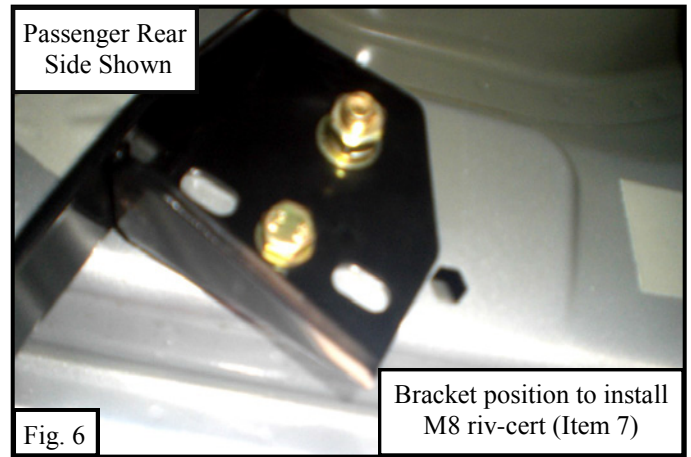
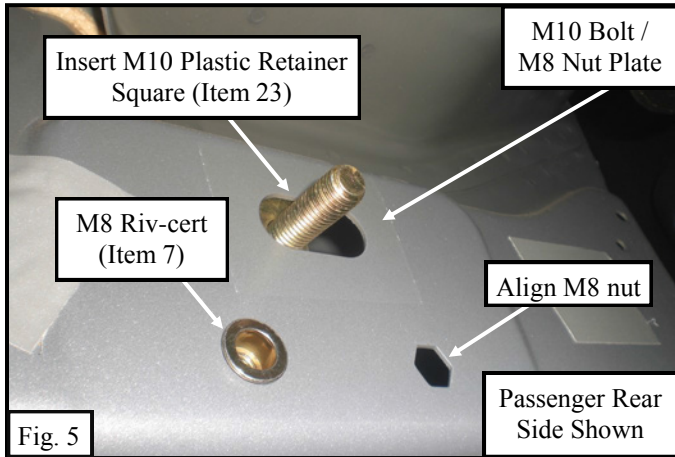
FOR NEWER MODELS

If the front of the rocker panel has pre-installed M8 riv-certs, the M10/M8 plate (item 6) will need to be positioned as shown in **Figure 8**.

FOR OLDER MODELS

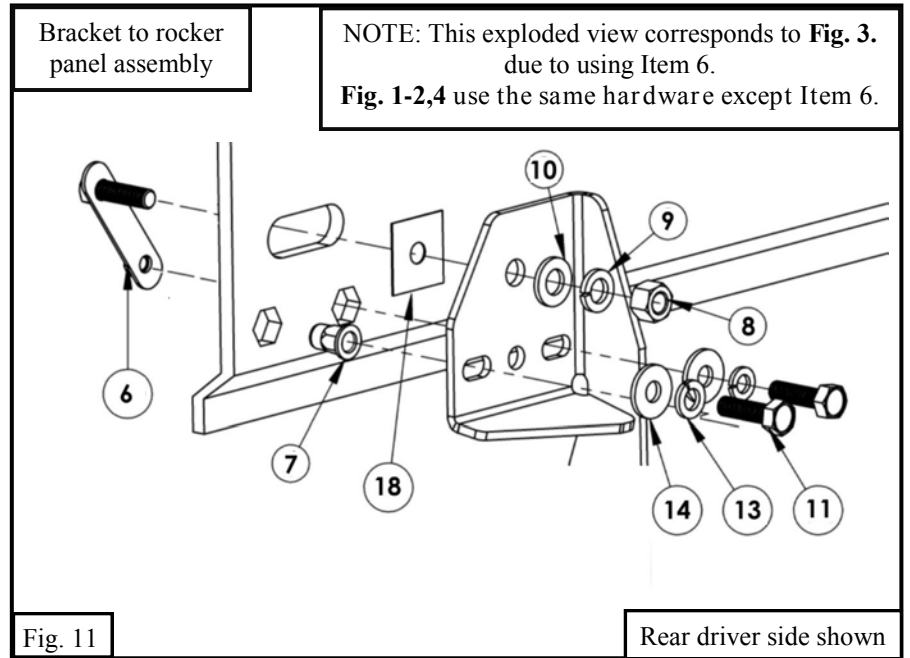
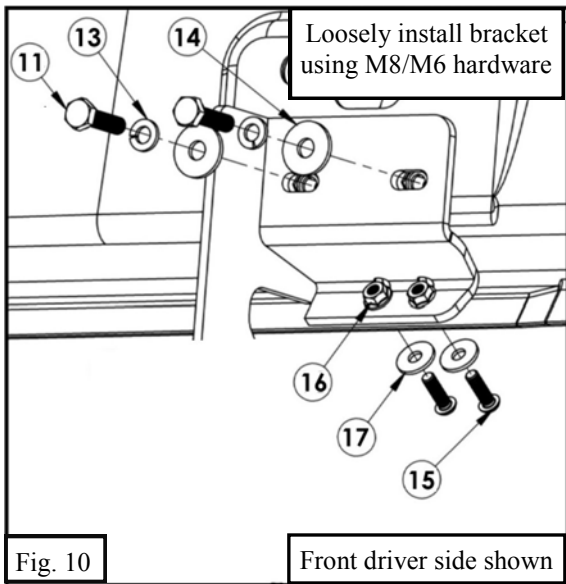
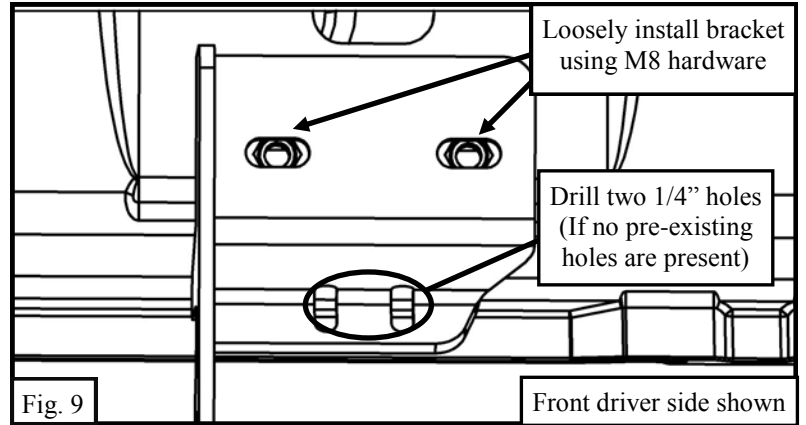
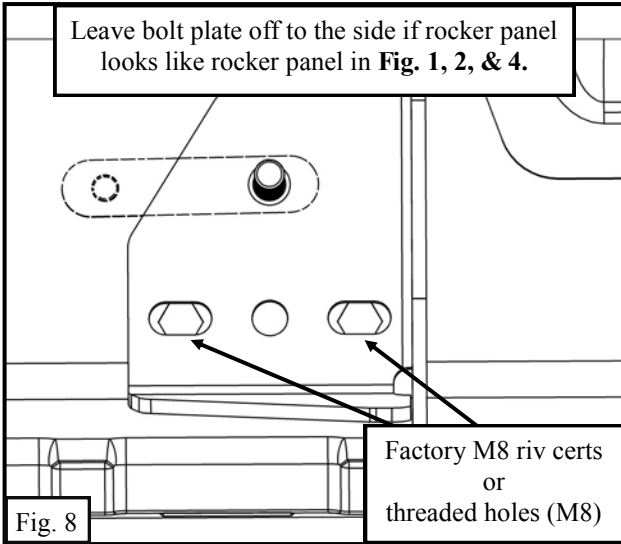
If the front rocker panel does not have pre-installed M8 riv-certs then (item 6) will be used as shown on **Figure 5 & 11**.

5. On the center and rear mounting locations of drivers side attach (1) M8 riv-cert to rocker panel if not already present. Then proceed to install (1) M10 bolt/M8 nut plate (Item 6) into the rocker panel and thread (1) M10 plastic retainer (Item 18) to the M10 bolt to prevent it from falling into the rocker panel. See **Figure. 5**.



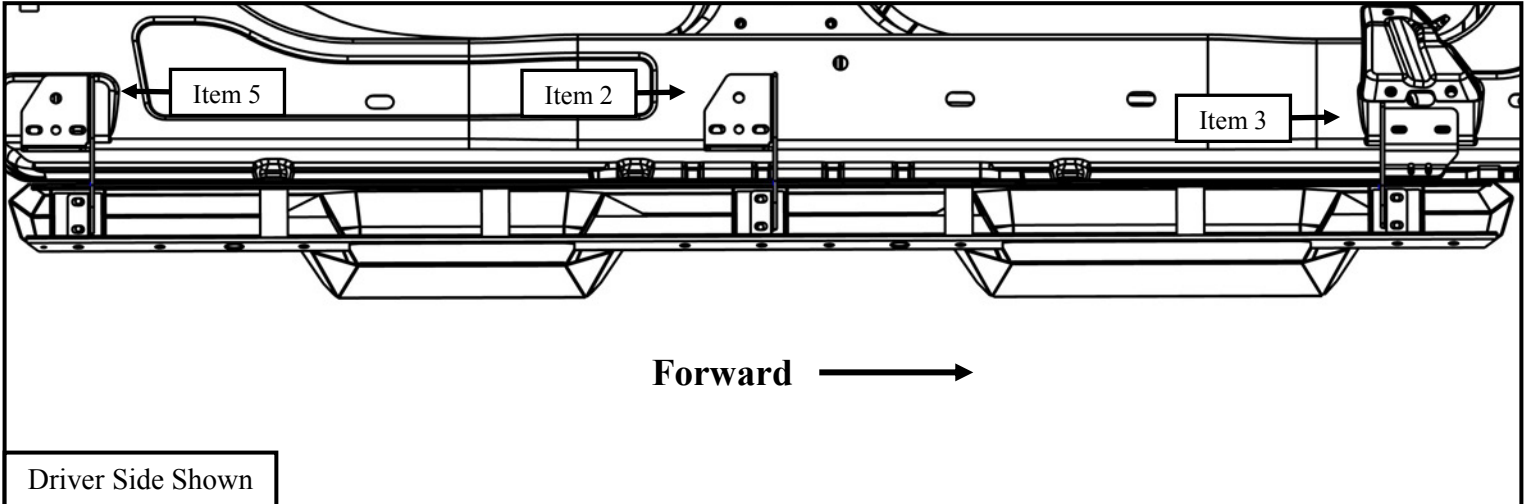
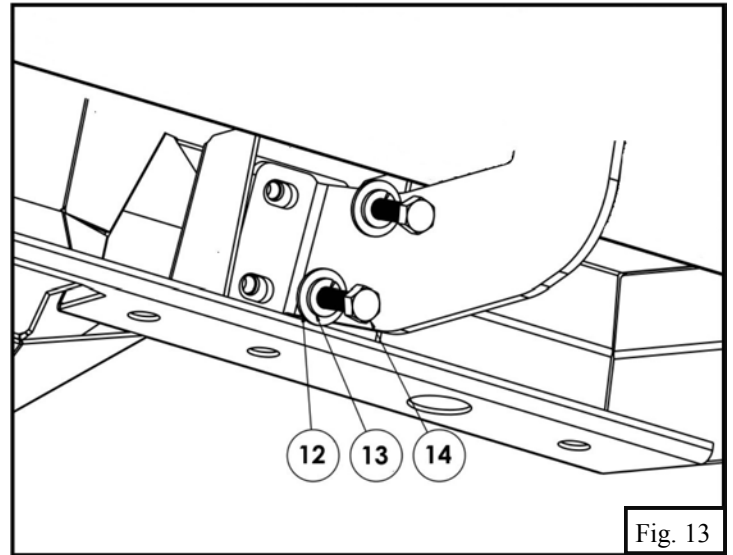
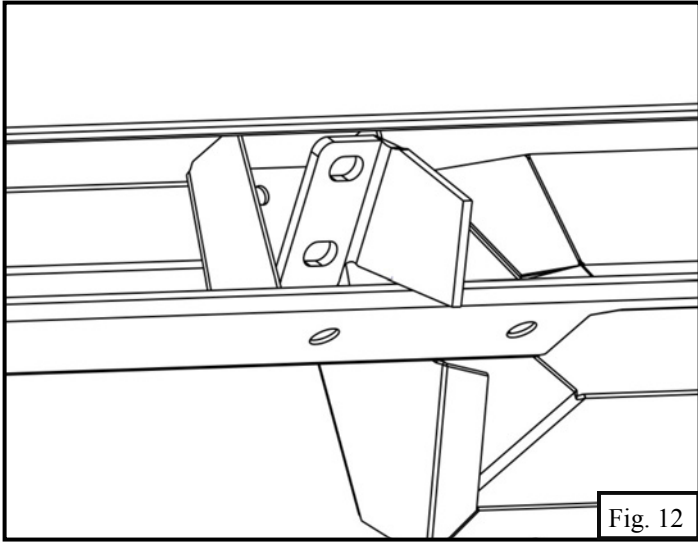
6. Loosely secure driver side center and rear mounting bracket (item 2 and 5) to the rocker panel in the center and rear mounting locations by aligning (item 7) (as shown on figure 5), using (2) Long M8 Hex bolts, (2) M8 Lock Washers, (2) M8 Flat washers, (1) M10 flat washer, (1) M10 lock washer, and (1) M10 Hex nut. Leave everything loose at this time. See **Figure. 7 & 11**.
7. **Starting from the Passenger side:** Insert (1) M10 bolt/M8 nut plate into the rocker panel and thread (1) M10 plastic retainer to the M10 bolt to prevent it from falling into the rocker panel. See **Figure. 5**.

8. If the front of the rocker panel has pre-installed M8 riv-certs, the M10/M8 plate (item 6) will need to be positioned as shown in **Figure 8**.
9. If the front rocker panel does not have pre-installed M8 riv-certs then (item 7) will be used as shown on **Figure 5 & 11**.
10. Attach (item 4) to passenger front and passenger side center and rear mounting brackets to passenger center and rear using the same procedure as step 6.



11. See **page 5** for view of bracket orientation.

12. When installing brackets to board, tilt at angle. **See Figure 12.**
13. For Step Board installation to the previously installed mounting brackets use short M8 bolts and supplied M8 hardware. **See Figure 13.**
14. Align and adjust the step bars and brackets as needed, then fully tighten all hardware: M10 to 35 ft-lbs, M8 to 20 ft-lbs,





INSTALLATION COMPLETE



Care Instructions

- REGULAR WAXING IS RECOMMENDED. DO NOT USE ANY TYPE OF POLISH OR WAX THAT MAY CONTAIN ABRASIVES.
- STAINLESS STEEL PRODUCTS CAN BE CLEANED WITH MILD SOAP AND WATER. STAINLESS STEEL POLISH SHOULD BE USED TO POLISH SMALL SCRATCHES.
- GLOSS BLACK FINISHES SHOULD BE CLEANED WITH MILD SOAP AND WATER.

Westin

SIGNATURE OF QUALITY

AUTOMOTIVE PRODUCTS, INC.



WARNING



Failure to follow these instructions could lead to death, personal injury, and / or property damage.

FASTENERS:

All Westin supplied fasteners must be utilized and installed in accordance with the installation instructions and apply torque to the specifications as defined. **DOUBLE CHECK ALL FASTENERS BEFORE INITIAL USE, AND PERIODICALLY IN THE FUTURE TO ENSURE PROPER FUNCTION AND SAFETY.**

DRILLING:

Most Westin products do not require drilling for installation. If drilling is defined as required, use caution when drilling a vehicle. **FAILURE TO REVIEW AN AREA TO BE DRILLED MAY RESULT IN PERSONAL INJURY AND/OR INJURY TO OTHERS AS WELL AS VEHICLE DAMAGE.**

EYE PROTECTION:

ALWAYS WEAR SAFETY GLASSES OR GOGGLES DURING THE INSTALLATION PROCESS TO AVOID PERSONAL INJURY.

MAXIMUM TOWING/CARRYING CAPACITY:

The Westin Receiver Hitches will have a visible tow rating label affixed directly on the product. User should never exceed the vehicle manufacturers maximum tow and weight rating regardless of the capacity of the hitch. **FAILURE TO FOLLOW THESE GUIDELINES WILL VOID THE WESTIN WARRANTY AND MAY RESULT IN PERSONAL INJURY AND/OR INJURY TO OTHERS AS WELL AS VEHICLE DAMAGE.**

Feel the difference with Westin.

Check out the collection of side steps and nerf bars we offer.