



AUTOMOTIVE PRODUCTS,

INSTALLATION INSTRUCTIONS

R7 Board

APPLICATION:

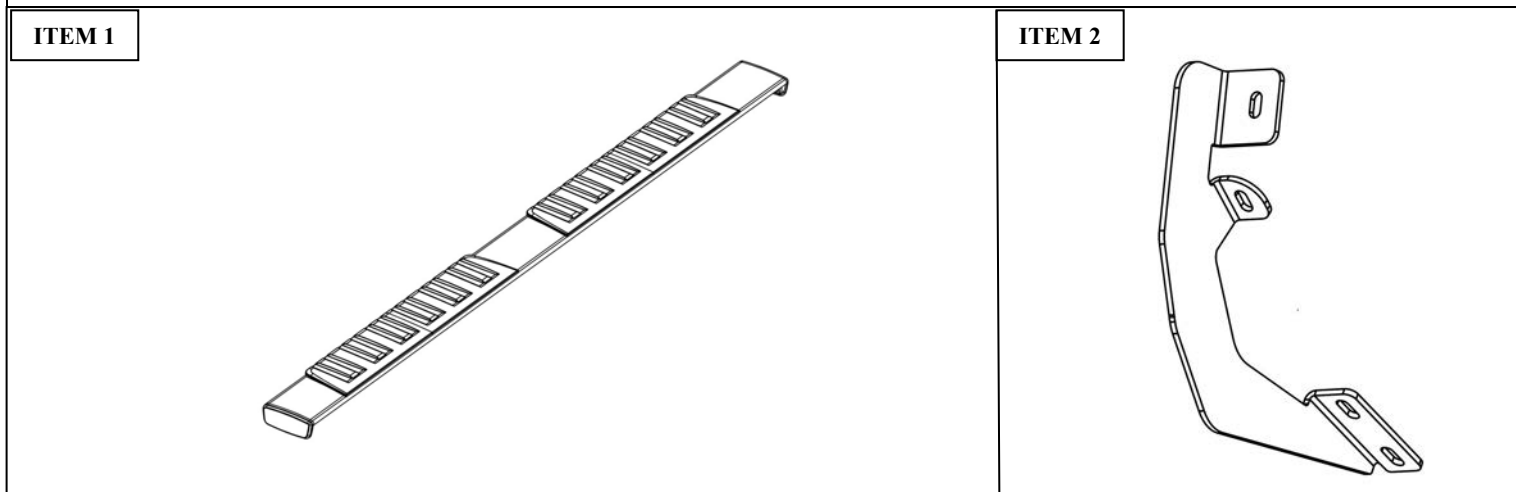
2016 Nissan Titan Crew Cab

PART NUMBER:

28-71160, 28-71165

CONTENT			
ITEM	QUANTITY	DESCRIPTION	TOOLS NEEDED
1	2	STEP BAR ASSEMBLY	RATCHET
2	3	MOUNTING BRACKET A	TORQUE WRENCH
3	3	MOUNTING BRACKET B	13MM SOCKET
4	24	M8 HEX HEAD CAP SCREW (BLACK ZINC) SEMS HARDWARE	
5	24	M8 SPLIT LOCK WASHER (BLACK ZINC) SEMS HARDWARE	
6	24	M8 LARGE FLAT WASHER (BLACK ZINC) SEMS HARDWARE	

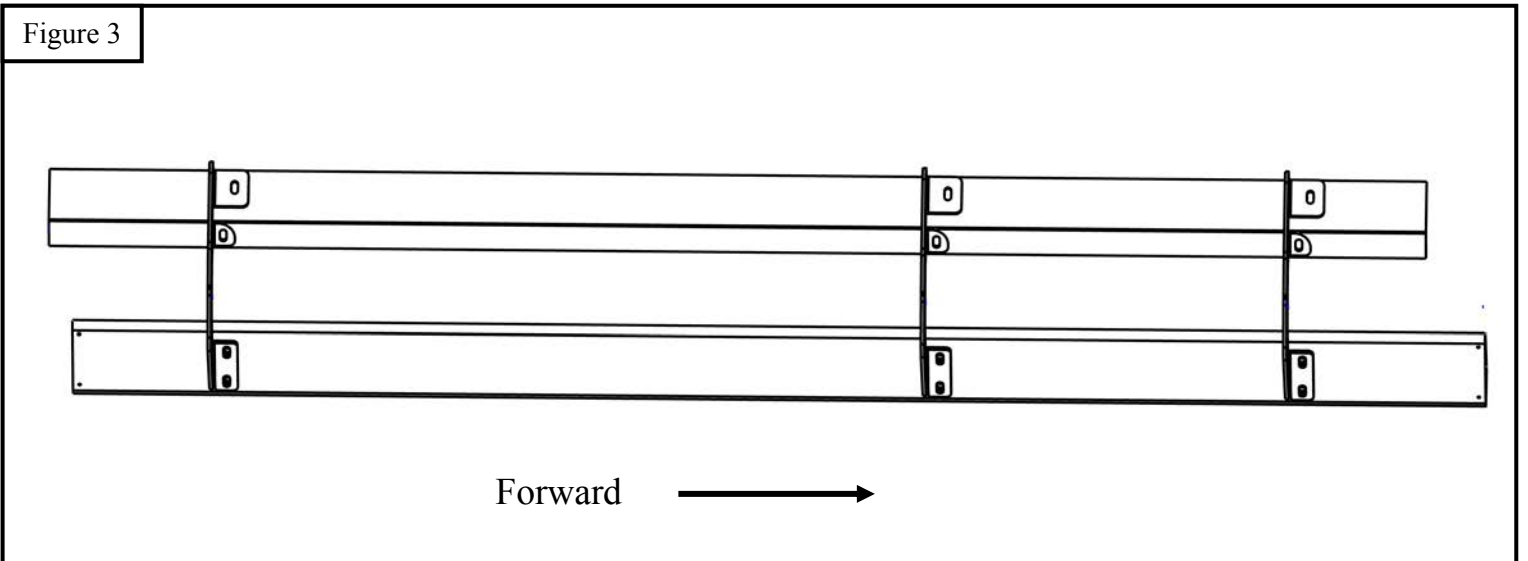
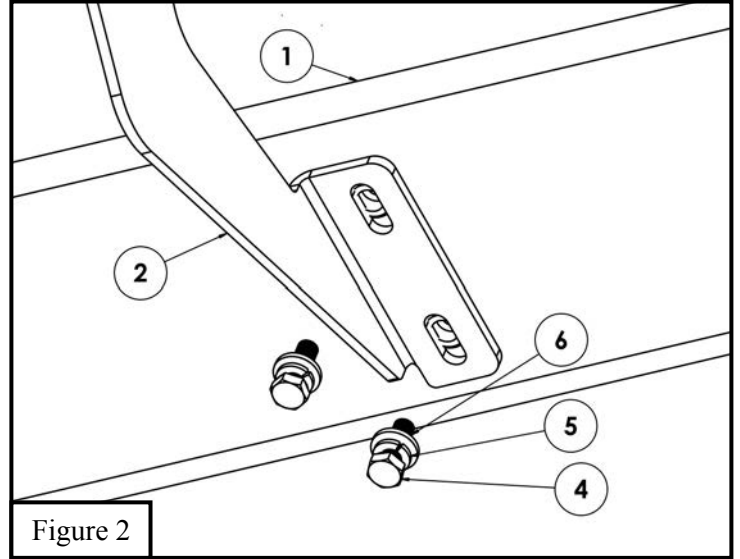
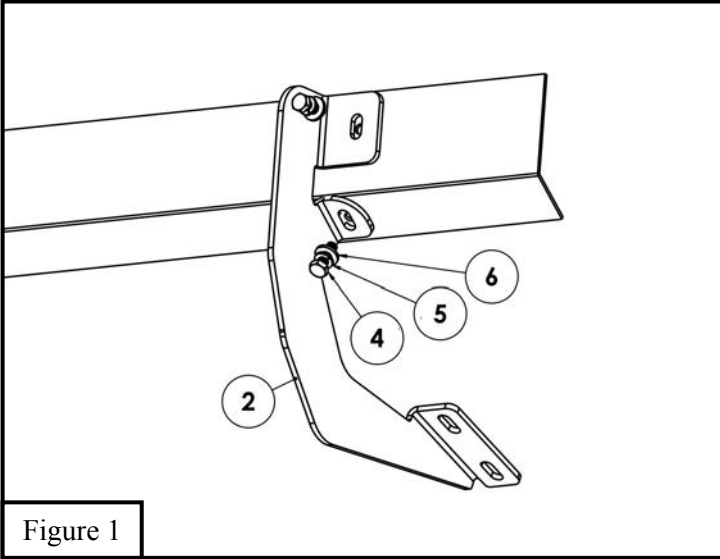
ANTI-SEIZE LUBRICANT MUST BE USED ON ALL STAINLESS STEEL FASTENERS TO PREVENT THREAD DAMAGE AND GALLING



PROCEDURE

1. Remove contents from box, verify if all parts listed are present and free from damage.
Carefully read and understand all instructions before attempting installation.
Failure to identify damage before installation could lead to a rejection of any claim.

2. Start installation on driver's side. On the rocker panel find locations with M8 threaded holes.
3. Then loosely install SEMS hardware to rocker panel threaded holes with; (2) M8 hex head bolts, (2) M8 flat washers, (2) M8 split lock washers. **See Figure 1.**
4. For Step Board installation to the previously installed mounting brackets use the supplied M8 hardware, then loosely install. **See Figure 2 and Figure 3.**
5. Align step bar and brackets to desired positioning then torque and tighten all: M8 hardware to 20 ft-lbs



INSTALLATION COMPLETED



Care Instructions

- REGULAR WAXING IS RECOMMENDED. DO NOT USE ANY TYPE OF POLISH OR WAX THAT MAY CONTAIN ABRASIVES.
- STAINLESS STEEL PRODUCTS CAN BE CLEANED WITH MILD SOAP AND WATER. STAINLESS STEEL POLISH SHOULD BE USED TO POLISH SMALL SCRATCHES.
- GLOSS BLACK FINISHES SHOULD BE CLEANED WITH MILD SOAP AND WATER.



SIGNATURE OF QUALITY

AUTOMOTIVE PRODUCTS, INC.



WARNING



Failure to follow these instructions could lead to death, personal injury, and / or property damage.

FASTENERS:

All Westin supplied fasteners must be utilized and installed in accordance with the installation instructions and apply torque to the specifications as defined. **DOUBLE CHECK ALL FASTENERS BEFORE INITIAL USE, AND PERIODICALLY IN THE FUTURE TO ENSURE PROPER FUNCTION AND SAFETY.**

DRILLING:

Most Westin products do not require drilling for installation. If drilling is defined as required, use caution when drilling a vehicle. **FAILURE TO REVIEW AN AREA TO BE DRILLED MAY RESULT IN PERSONAL INJURY AND/OR INJURY TO OTHERS AS WELL AS VEHICLE DAMAGE.**

EYE PROTECTION:

ALWAYS WEAR SAFETY GLASSES OR GOGGLES DURING THE INSTALLATION PROCESS TO AVOID PERSONAL INJURY.

MAXIMUM TOWING/CARRYING CAPACITY:

The Westin Receiver Hitches will have a visible tow rating label affixed directly on the product. User should never exceed the vehicle manufacturers maximum tow and weight rating regardless of the capacity of the hitch. **FAILURE TO FOLLOW THESE GUIDELINES WILL VOID THE WESTIN WARRANTY AND MAY RESULT IN PERSONAL INJURY AND/OR INJURY TO OTHERS AS WELL AS VEHICLE DAMAGE.**

[Learn more about other side steps and nerf bars made by Westin on our website.](#)