



INSTALLATION INSTRUCTIONS

R7 Step Board

APPLICATION:

2015 Chevy Colorado / GM Canyon Ext. Cab / Crew Cab

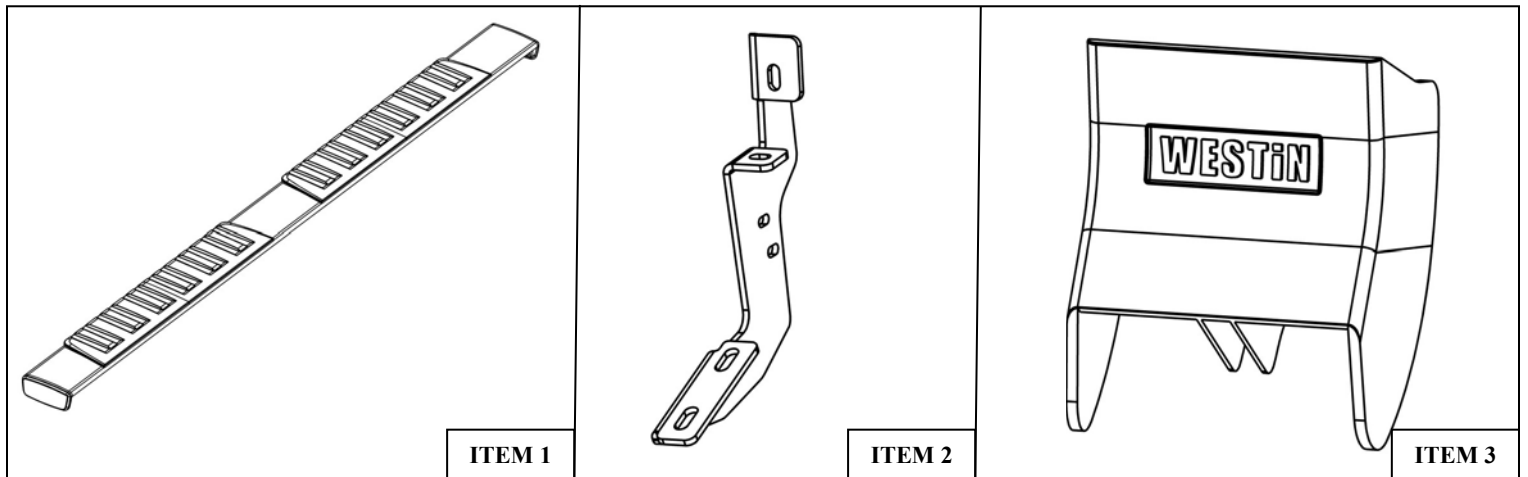
AUTOMOTIVE PRODUCTS,

PART NUMBER:

28-71000, 28-71005, 28-71010, 28-71015

CONTENT			
ITEM	QUANTITY	DESCRIPTION	TOOLS NEEDED
1	2	STEP BAR ASSEMBLY	RATCHET
2	6	MOUNTING BRACKET	TORQUE WRENCH
3	6	PLASTIC BRACKET COVER	10MM SOCKET
4	24	M8 HEX HEAD BOLT (BLACK ZINC) SEMS HARDWARE	13MM SOCKET
5	24	M8 FLAT WASHER (BLACK ZINC) SEMS HARDWARE	
6	24	M8 LOCK WASHER (BLACK ZINC) SEMS HARDWARE	
7	12	M8 U-NUT CLIP (YELLOW ZINC)	
8	12	M6 HEX HEAD BOLT (YELLOW ZINC)	
9	24	M6 FLAT WASHER (YELLOW ZINC)	
10	12	M6 NYLON LOCK NUT (YELLOW ZINC)	

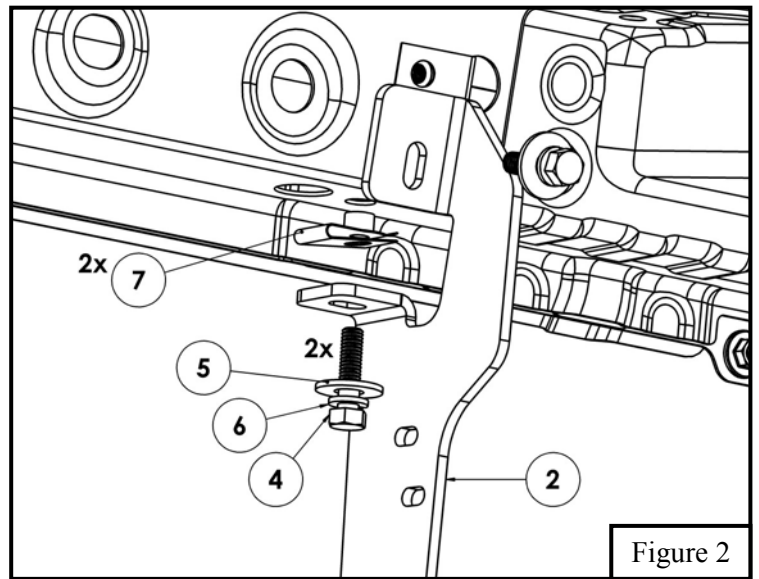
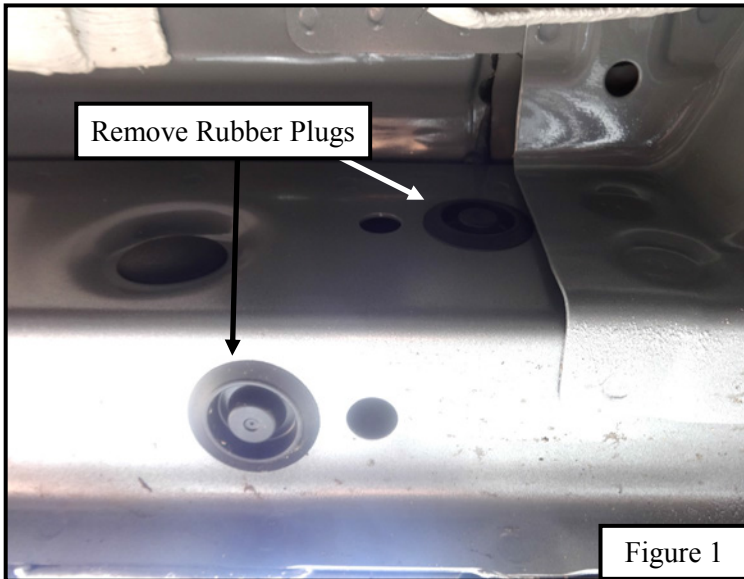
ANTI-SEIZE LUBRICANT MUST BE USED ON ALL STAINLESS STEEL FASTENERS TO PREVENT THREAD DAMAGE AND GALLING



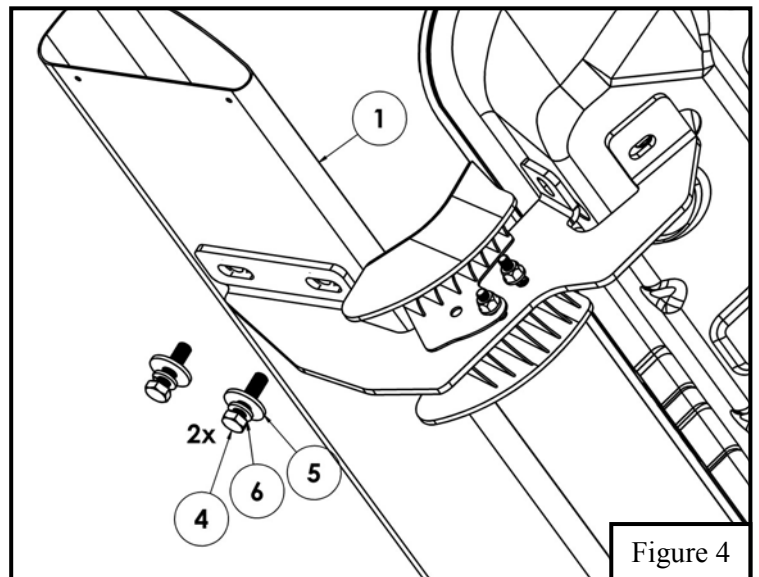
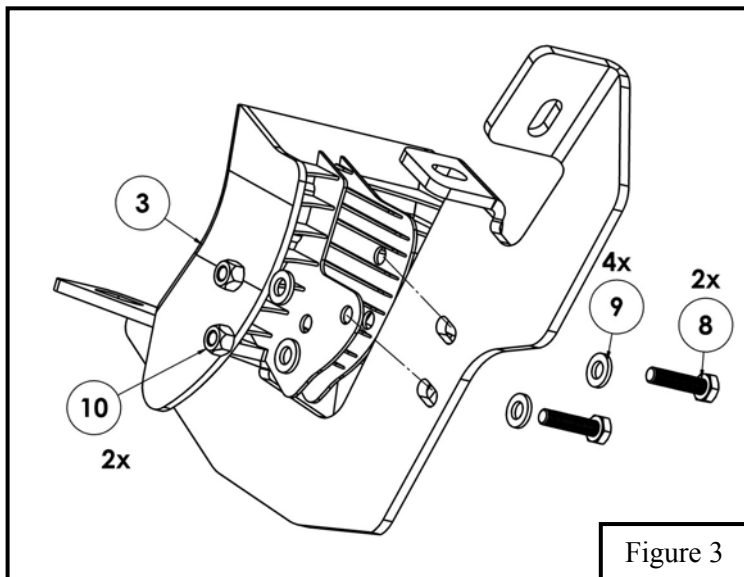
PROCEDURE

1. Remove contents from box, verify if all parts listed are present and free from damage.
Carefully read and understand all instructions before attempting installation.
Failure to identify damage before installation could lead to a rejection of any claim.

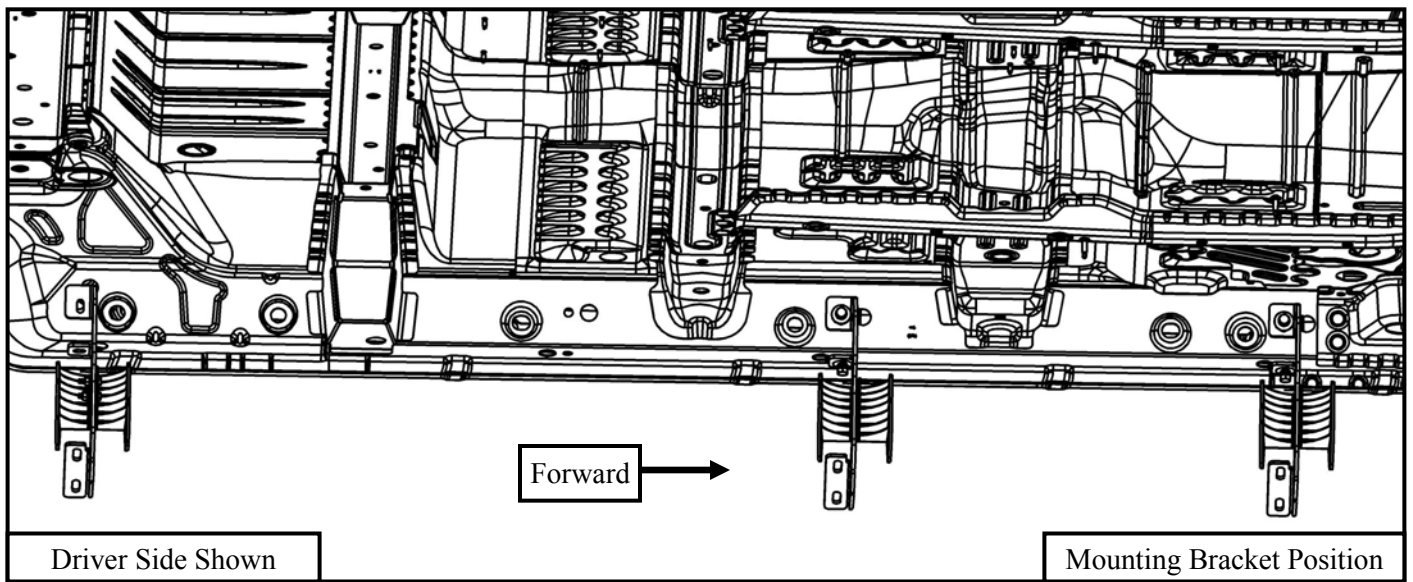
1. Remove the rubber plugs located on the rocker panel at each bracket mounting location. **See Figure 1.**
2. Locate (1) Mounting Bracket (Item 2) and loosely secure it to the rocker panel using the provided hardware: (2) M8 hex head bolt, (2) M8 flat washer, (2) M8 lock washer, and (2) M8 u-nut clip. **See Figure 2.**
3. Repeat **Step 2** for every other bracket mounting location.



4. Locate (1) Plastic Bracket Cover (Item 3) and loosely secure it to the (6) brackets using the provided hardware: (2) M6 hex head bolt, (4) M6 flat washer, and (2) M6 nylon lock nut. Repeat for every bracket. **See Figure 3.**
5. Loosely install the Step Bar Assembly (Item 1) to the previously install mounting brackets with the supplied M8 hardware. **See Figure 4.**



5. Align step bar and brackets to desired positioning then torque and tighten all: M6 hardware to 12 ft-lbs and M8 hardware to 20 ft-lbs.



Care Instructions

- REGULAR WAXING IS RECOMMENDED. DO NOT USE ANY TYPE OF POLISH OR WAX THAT MAY CONTAIN ABRASIVES.
- STAINLESS STEEL PRODUCTS CAN BE CLEANED WITH MILD SOAP AND WATER. STAINLESS STEEL POLISH SHOULD BE USED TO POLISH SMALL SCRATCHES..
- GLOSS BLACK FINISHES SHOULD BE CLEANED WITH MILD SOAP AND WATER.