



AUTOMOTIVE PRODUCTS,

# INSTALLATION INSTRUCTIONS

## R5 STEP BOARD

### APPLICATION:

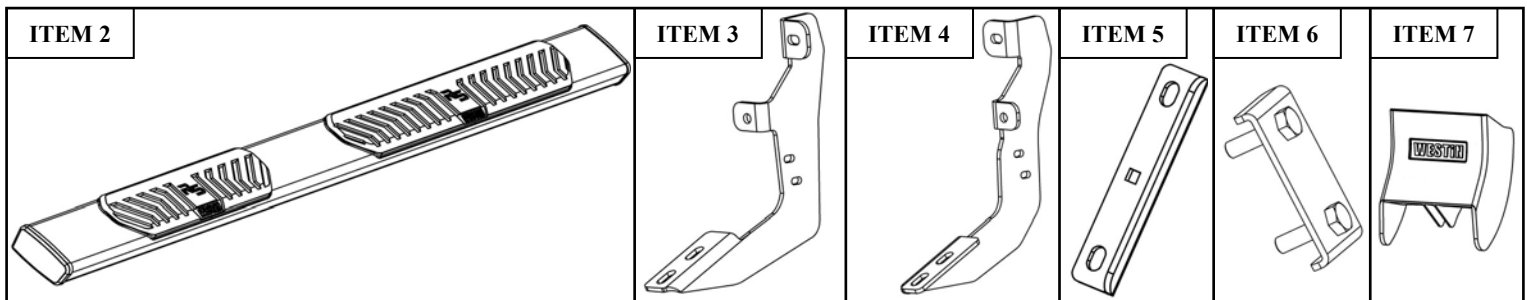
2015-2017 Ford F-150 Super Cab / Super Crew  
 2017 Ford F-250/350 Super Cab / Super Crew PART  
 NUMBER:

28-51080, 28-51085, 28-51090, 28-51095

ITEM	QUANTITY	DESCRIPTION	TOOLS NEEDED
1,2	2	STEP BOARDS, DRIVER (1) AND PASSENGER (2)	10MM SOCKET
3	2 / 4*	MOUNT BRACKET A	13MM SOCKET
4	2	MOUNT BRACKET B	RATCHET
5	4 / 6*	MOUNT BRACKET C	TORQUE WRENCH
6	4 / 6*	PLATE ADAPTER (ONLY FOR 28-51080 AND 28-51090)	
7	4 / 6*	PLASTIC BRACKET COVER	
8	8 / 12*	M6 HEX HEAD CAP SCREW (YELLOW ZINC)	
9	16 / 24*	M6 FLAT WASHER (YELLOW ZINC)	
10	8 / 12*	M6 NYLOCK NUT (YELLOW ZINC)	
11	16 / 24*	M8 SPLIT LOCK WASHER (YELLOW ZINC)	
12	16 / 24*	M8 FLAT WASHER (YELLOW ZINC)	
13	16 / 24*	M8 HEX NUT (YELLOW ZINC)	
14	4 / 6*	M8 ROUND HEAD SQUARE NECK BOLT (BLACK ZINC)	
15	8 / 12*	M8 SQUARE HEAD BOLT (BLACK ZINC) (ONLY FOR 28-51085 AND 28-51095)	
16	8 / 12*	M8 SPLIT LOCK WASHER (BLACK ZINC)	
17	8 / 12*	M8 FLAT WASHER (BLACK ZINC)	
18	8 / 12*	M8 HEX NUT (BLACK ZINC)	
19	12 / 18*	PLASTIC RETAINER SQUARE	

\* SUPER CAB / SUPER CREW. NOTE: SUPER CAB HAS LESS HARDWARE AND BRACKETS.

ANTI-SEIZE LUBRICANT MUST BE USED ON ALL STAINLESS STEEL FASTENERS TO PREVENT THREAD DAMAGE AND GALLING

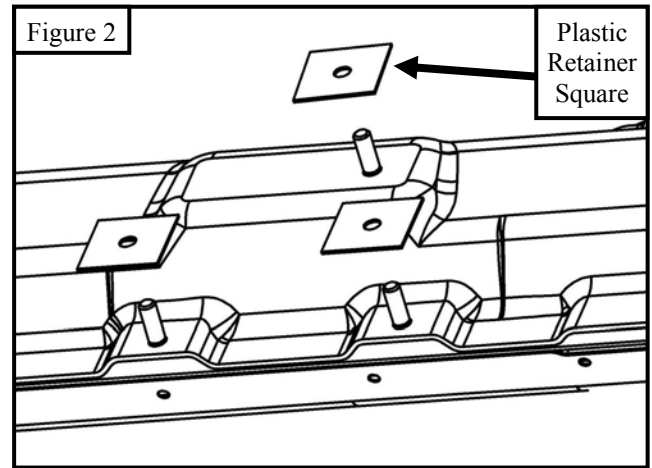
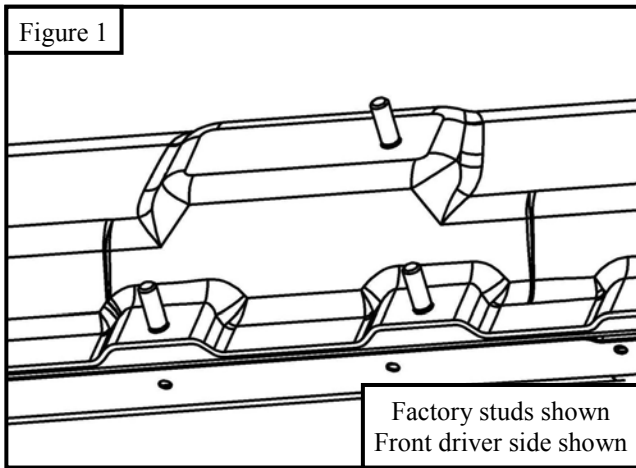


### PROCEDURE

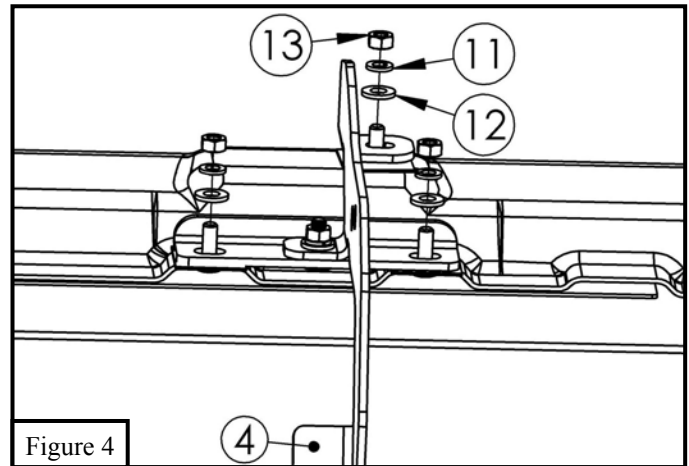
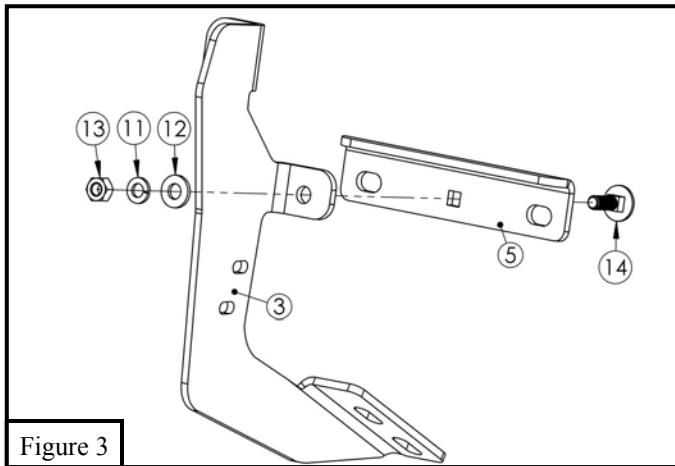
- Remove contents from box, verify if all parts listed are present and free from damage. Carefully read and understand all instructions before attempting installation.  
**Failure to identify damage before installation could lead to a rejection of any claim.**
- Start installation on driver's side. On the rocker panel find locations of factory studs. In each location there should be 3 studs. **Note:** Super Cab has two locations and Super Crew has three locations. See **Figure 1**.



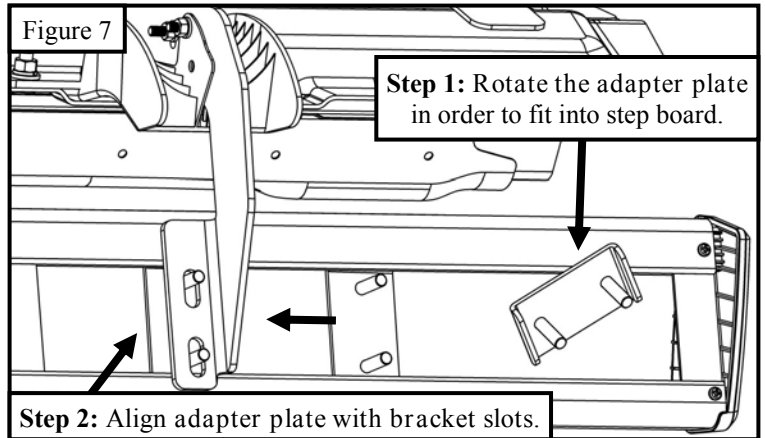
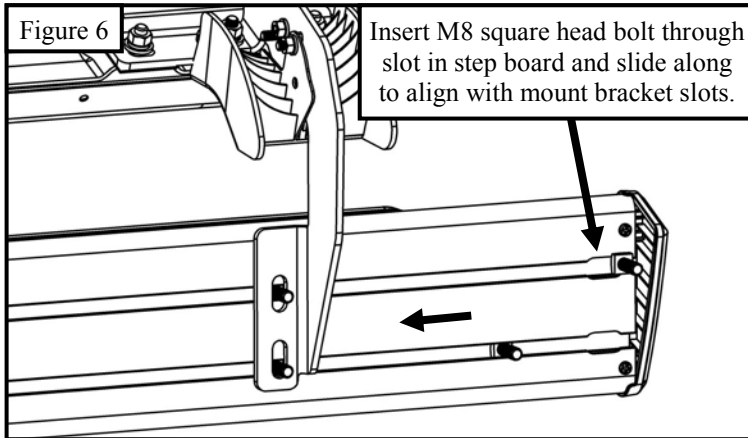
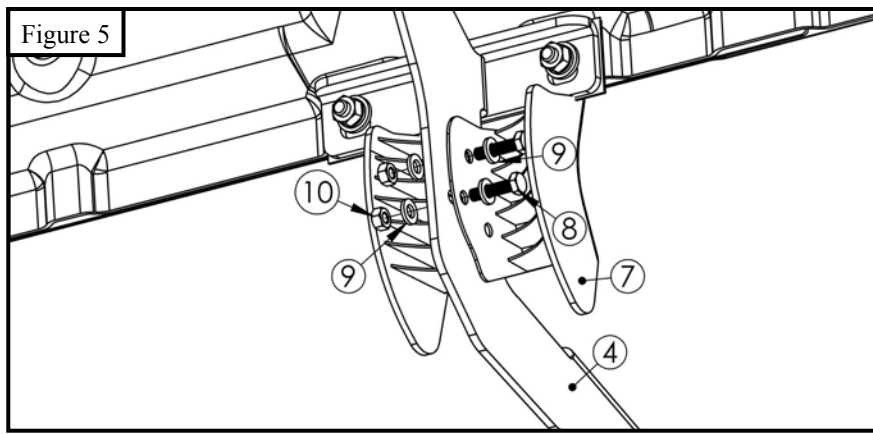
3. Insert (1) plastic retainer square (Item 19) on each factory stud. **Note:** There will be 6 extra plastic retainers for the super cab model. See **Figure 2**.



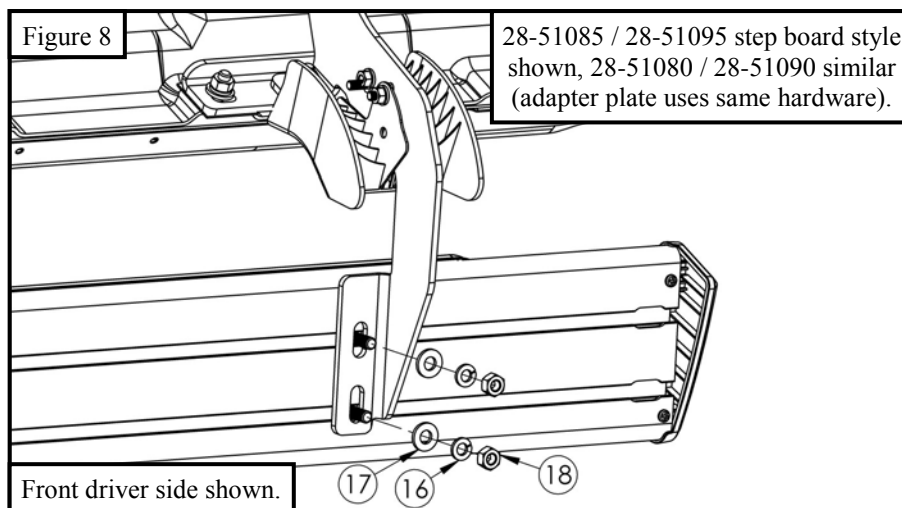
4. Insert a M8 round head square neck bolt (Item 14) through the mount bracket C (Item 5) square hole. Then insert the M8 round head square neck bolt through bracket A/B (Item 3/4) bottom circular hole. Loosely secure item 2 to item 3/4 with (1) M8 hex nut, (1) M8 split lock washer, and (1) M8 flat washer. **Note:** For Super Cab model there will be 4 mount bracket C and for the Super Crew model there are 6. See **Figure 3**.
5. Align sub-assembly with the 3 factory studs. Lower 2 factory studs will align with mount bracket C and top factory stud will align with bracket A/B. Loosely secure sub-assembly with (3) M8 hex nut, (3) M8 split lock washer, and (3) M8 flat washer. See **Figure 4**.
6. Repeat **Step 4 - 5** for every mounting location. **Note:** The Super Crew model will have 2 extra mount bracket A, due to an extra center location of factory studs. Mount bracket A (Item 2) is used for the center and rear locations.



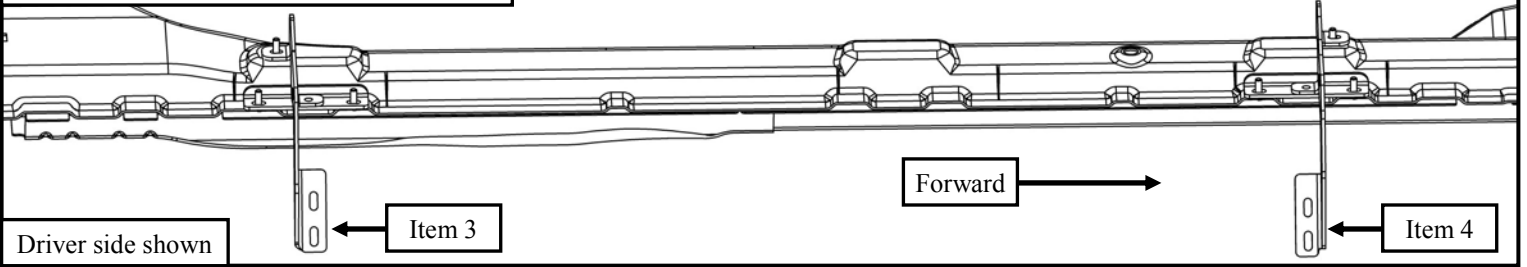
7. Locate (1) plastic bracket cover (Item 7) and loosely secure it to the bracket using the provided hardware: (2) M6 hex head cap screw, (4) M6 flat washer, and (2) M6 nylock nut. See **Figure 5**.
8. Repeat **Step 7** for every bracket.
9. **For Part Numbers 28-51085 and 28-51095:** Locate (1) driver side step board (Item 1) and (6) M8 square head bolts (Item 15). Slide the M8 square head bolts through the slots underneath the step board and align with the previously installed mount brackets. Repeat for passenger side. See **Figure 6**.
10. **For Part Numbers 28-51080 and 28-51090:** Locate (1) driver side step board (Item 1) and (3) adapter plates (Item 6). Insert the adapter plates onto the step board and align with the previously installed mount brackets. Repeat for passenger side. See **Figure 7**.



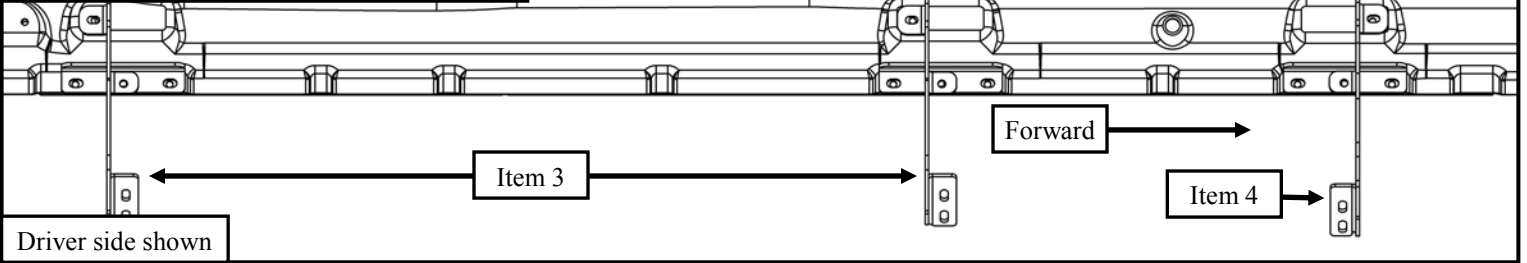
11. Loosely secure the step board onto each mount bracket using (2) M8 hex nuts, (2) M8 split lock washers, and (2) M8 flat washers (Items 16 - 18). See **Figure 8**.
12. Adjust and align as necessary the mount brackets, step boards, and bracket covers and then tighten M8 hardware to 15-17 ft-lbs and M6 to 5-7 ft-lbs.



Mounting Bracket Position: Super Cab Model



Mounting Bracket Position: Super Crew Model



CARE INSTRUCTIONS

- REGULAR WAXING IS RECOMMENDED. DO NOT USE ANY TYPE OF POLISH OR WAX THAT MAY CONTAIN ABRASIVES.
- STAINLESS STEEL PRODUCTS CAN BE CLEANED WITH MILD SOAP AND WATER. STAINLESS STEEL POLISH SHOULD BE USED TO POLISH SMALL SCRATCHES.
- GLOSS BLACK FINISHES SHOULD BE CLEANED WITH MILD SOAP AND WATER.

# Westin

SIGNATURE OF QUALITY

AUTOMOTIVE PRODUCTS, INC.



## WARNING



Failure to follow these instructions could lead to death, personal injury, and / or property damage.

### **FASTENERS:**

All Westin supplied fasteners must be utilized and installed in accordance with the installation instructions and apply torque to the specifications as defined. **DOUBLE CHECK ALL FASTENERS BEFORE INITIAL USE, AND PERIODICALLY IN THE FUTURE TO ENSURE PROPER FUNCTION AND SAFETY.**

### **DRILLING:**

Most Westin products do not require drilling for installation. If drilling is defined as required, use caution when drilling a vehicle. **FAILURE TO REVIEW AN AREA TO BE DRILLED MAY RESULT IN PERSONAL INJURY AND/OR INJURY TO OTHERS AS WELL AS VEHICLE DAMAGE.**

### **EYE PROTECTION:**

**ALWAYS WEAR SAFETY GLASSES OR GOGGLES DURING THE INSTALLATION PROCESS TO AVOID PERSONAL INJURY.**

### **MAXIMUM TOWING/CARRYING CAPACITY:**

The Westin Receiver Hitches will have a visible tow rating label affixed directly on the product. User should never exceed the vehicle manufacturers maximum tow and weight rating regardless of the capacity of the hitch. **FAILURE TO FOLLOW THESE GUIDELINES WILL VOID THE WESTIN WARRANTY AND MAY RESULT IN PERSONAL INJURY AND/OR INJURY TO OTHERS AS WELL AS VEHICLE DAMAGE.**

[Learn more about other side steps and nerf bars made by Westin on our website.](#)

Westin.  
SIGNATURE OF QUALITY