



# INSTALLATION INSTRUCTIONS

## SURE-GRIP RUNNING BOARD MOUNT KIT

### APPLICATION:

2015-2017 Ford F-150 Regular/Super Cab

2015-2017 Ford F-150 Super Crew

2017 Ford F-250/350 Super Duty Regular Cab/Super Cab

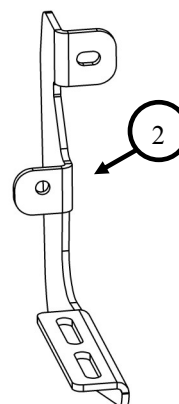
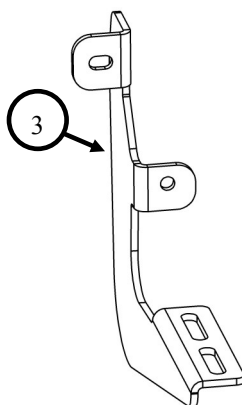
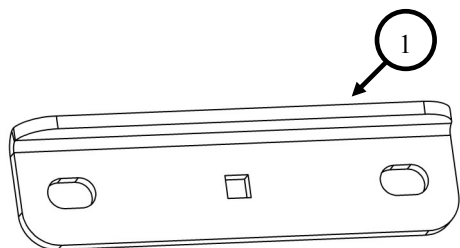
2017 Ford F-250/350 Crew Cab

APPLICATION PART #: 27-2175, 27-2195

ITEM	QUANTITY	DESCRIPTION	TOOLS NEEDED
1	4 / 6*	UNIVERSAL MOUNTING BRACKET	16MM SOCKET
2	2 / 4*	BRACKET A	18MM SOCKET
3	2	BRACKET B	18MM WRENCH
4	16 / 24*	M8 FLAT WASHER	RATCHET
5	16 / 24*	M8 SPLIT LOCK WASHER	TORQUE WRENCH
6	16 / 24*	M8 HEX NUT	
7	4 / 6*	M8 ROUND HEAD SQUARE NECK BOLT	
8	8 / 12*	5/16" X 3/4" SQUARE HEAD BOLT	
9	8 / 12*	5/16" FLAT WASHER	
10	8 / 12*	5/16-18 HEX NYLON LOCK NUT	
11	12 / 18*	M8 PLASTIC RETAINER SQUARE	

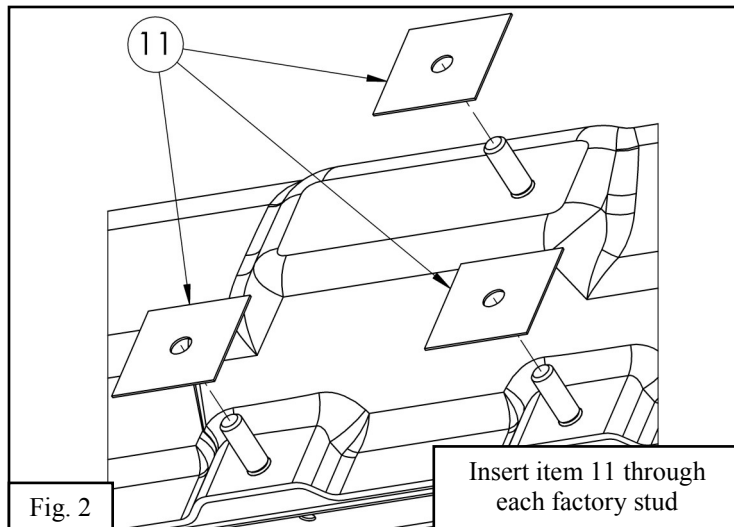
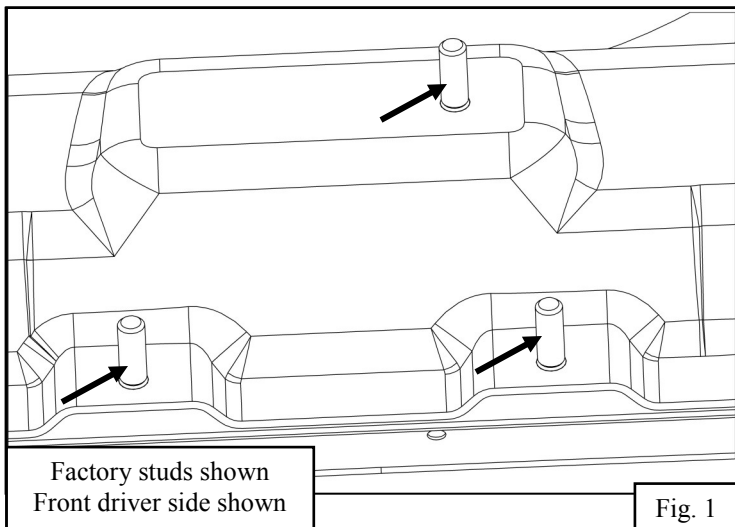
\*QUANTITIES DEPEND UPON APPLICATION PART # (27-2175/27-2195)

ANTI-SEIZE LUBRICANT MUST BE USED ON ALL STAINLESS STEEL FASTENERS TO PREVENT THREAD DAMAGE AND GALLING

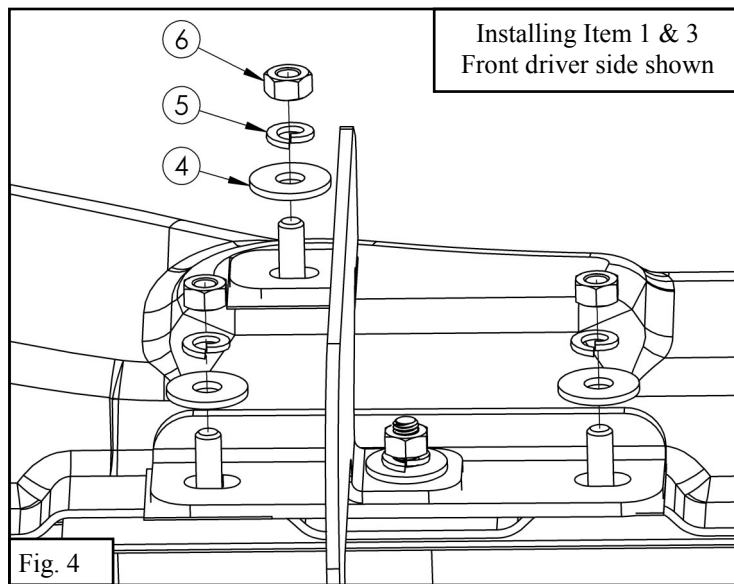
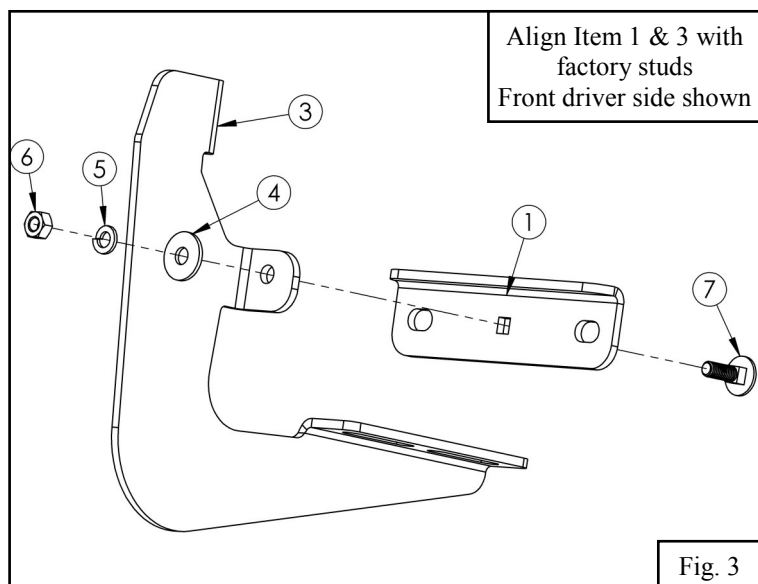


## PROCEDURE

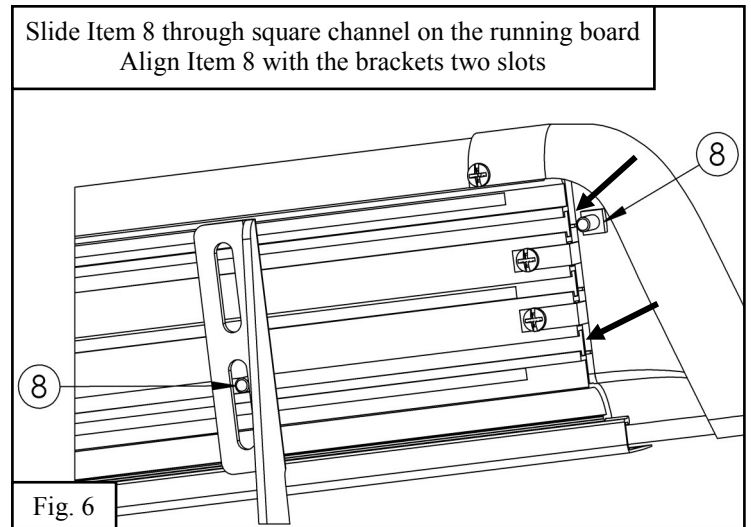
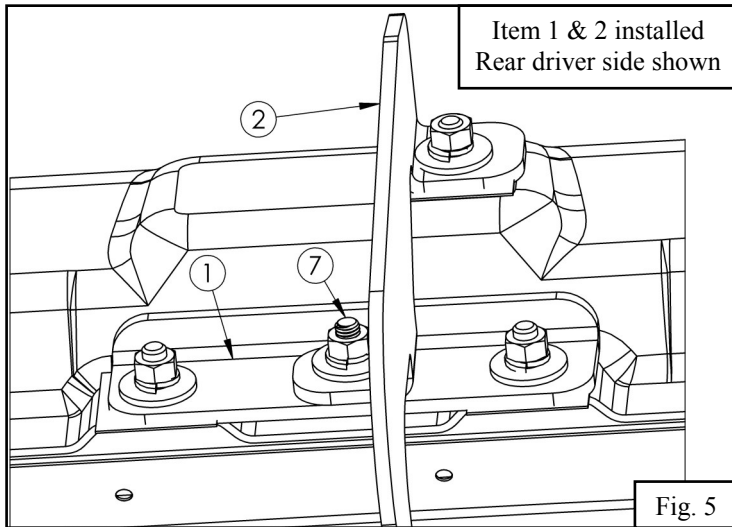
1. Remove contents from box, verify if all parts listed are present and free from damage. Carefully read and understand all instructions before attempting installation.  
**Failure to identify damage before installation could lead to a rejection of any claim.**
2. Start installation on the driver's side. On the rocker panel find locations of factory studs. In each location there should be 3 studs. (**Note:** Super Cab has two locations and Super Crew has three locations.) **See Fig. 1.**
3. Insert (1) M8 Plastic Retainer Square (Item 11) on each factory stud. (**Note:** There will be 6 extra plastic retainer squares for the Super Crew model.) **See Fig. 2.**



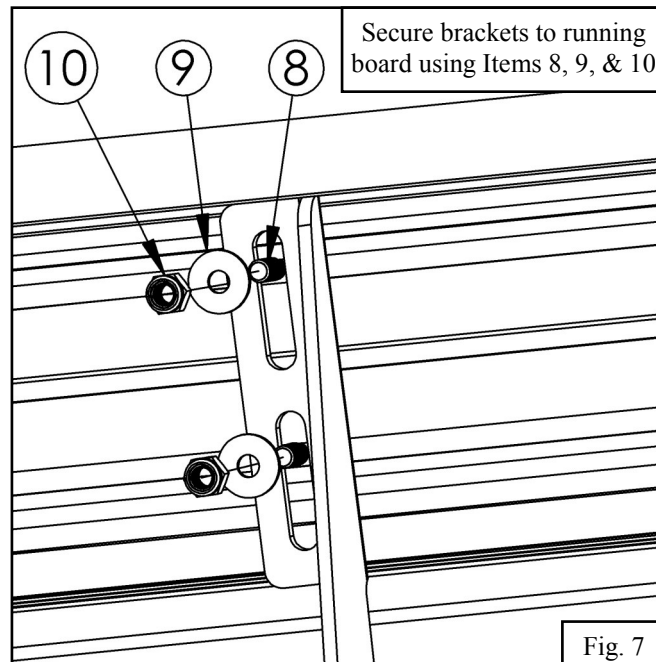
4. Insert the M8 round head square neck bolt (Item 7) through the Universal Mounting Bracket's (Item 1) square hole. Then insert the M8 round head square neck bolt through Bracket B (Item 3) bottom circular hole. Loosely secure Item 1 & 3 with (1) M8 hex nut, (1) M8 split lock washer, and (1) M8 flat washer. (**Note:** For Super Cab model there will be 4 Universal Mounting Brackets and for the Super Crew model there are 6.) **See Fig. 3.**
5. Align sub-assembly with the 3 factory studs. Lower 2 factory studs will align with the Universal Mounting Bracket and top factory stud will align with Bracket B. Loosely secure sub-assembly (Items 1, 3, & 7) with (3) M8 hex nut, (3) M8 split lock washer, and (3) M8 flat washer. **See Fig. 4.**



6. For the rear and center location with the factory studs use Bracket A (Item 2) instead of Bracket B (Item 3) and follow steps 4 and 5. (Note: The Super Crew model will have 2 extra Bracket A, due to an extra center location of factory studs.)  
**See Fig. 5.**
7. Locate the driver side Sure-Grip running board (Sold Separately). Using the provided (4 or 6 depending on number of brackets) 5/16" x 3/4" square head bolts (Item 8) slide them through the square channels in the running board. Slide square head bolts until they align with the brackets slots. **See Fig. 6.**



8. Using the provided 5/16" flat washer (Item 9) and 5/16-18 hex nylon lock nut (Item 10), loosely secure the brackets with the running board. **See Fig. 7.**
9. Repeat steps 7 to 8 for the passenger side.
10. Align and adjust running boards and brackets as necessary. Tighten and torque all M8 hardware to 15-18 ft-lbs and 5/16" hardware to 15-18 ft-lbs.





#### CARE INSTRUCTIONS

- REGULAR WAXING IS RECOMMENDED. DO NOT USE ANY TYPE OF POLISH OR WAX THAT MAY CONTAIN ABRASIVES.
- STAINLESS STEEL PRODUCTS CAN BE CLEANED WITH MILD SOAP AND WATER. STAINLESS STEEL POLISH SHOULD BE USED TO POLISH SMALL SCRATCHES.
- GLOSS BLACK FINISHES SHOULD BE CLEANED WITH MILD SOAP AND WATER.

# Westin

SIGNATURE OF QUALITY

AUTOMOTIVE PRODUCTS, INC.



## WARNING



Failure to follow these instructions could lead to death, personal injury, and / or property damage.

### FASTENERS:

All Westin supplied fasteners must be utilized and installed in accordance with the installation instructions and apply torque to the specifications as defined. **DOUBLE CHECK ALL FASTENERS BEFORE INITIAL USE, AND PERIODICALLY IN THE FUTURE TO ENSURE PROPER FUNCTION AND SAFETY.**

### DRILLING:

Most Westin products do not require drilling for installation. If drilling is defined as required, use caution when drilling a vehicle. **FAILURE TO REVIEW AN AREA TO BE DRILLED MAY RESULT IN PERSONAL INJURY AND/OR INJURY TO OTHERS AS WELL AS VEHICLE DAMAGE.**

### EYE PROTECTION:

**ALWAYS WEAR SAFETY GLASSES OR GOGGLES DURING THE INSTALLATION PROCESS TO AVOID PERSONAL INJURY.**

### MAXIMUM TOWING/CARRYING CAPACITY:

The Westin Receiver Hitches will have a visible tow rating label affixed directly on the product. User should never exceed the vehicle manufacturers maximum tow and weight rating regardless of the capacity of the hitch. **FAILURE TO FOLLOW THESE GUIDELINES WILL VOID THE WESTIN WARRANTY AND MAY RESULT IN PERSONAL INJURY AND/OR INJURY TO OTHERS AS WELL AS VEHICLE DAMAGE.**

When it comes to quality side steps and nerf bars, Westin is the brand you can depend on.