



SIGNATURE OF QUALITY

AUTOMOTIVE PRODUCTS, INC.

# INSTRUCTIONS

APPLICATION: 1982-97 FORD RANGER SUPER CAB 2 DOOR

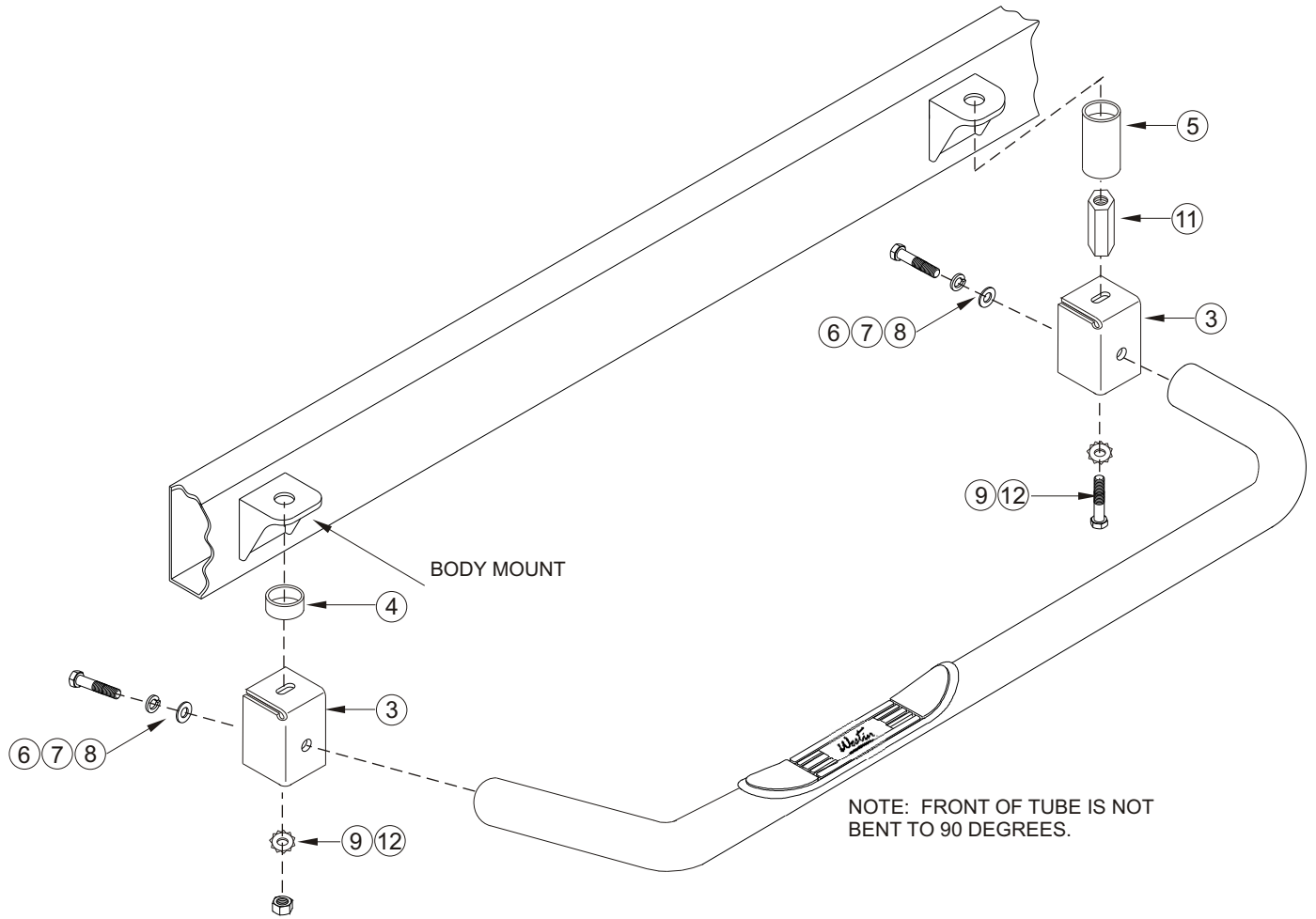
<p>STEP BAR ASSEMBLIES</p> <p><b>25-0590</b> <b>25-0595</b></p>				
---	--	--	--	--

ITEM	QTY	CONTENTS	TOOLS
1,2	2	STEP BAR, PASSENGER (1) AND DRIVER (2)	3/4" SOCKET 3/4" WRENCH 22MM SOCKET 19MM SOCKET RATCHET TORQUE WRENCH
3	4	MOUNT BRACKET	
4	2	SPACER TUBE, SMALL	
5	2	SPACER TUBE, LARGE	
6	4	1/2 13 X 1.75" HEX HEAD BOLT	
7	4	1/2" FLAT WASHER	
8	4	1/2" LOCK WASHER	
9	4	1/2" EXTERNAL TOOTH LOCK WASHER	
10	2	M12 1.75 X 40MM HEX HEAD BOLT	
11	2	M12 1.75 X 40MM COUPLING NUT	
12	2	M12 1.75 HEX NUT	

- STEP 1. Remove the contents from box and check for damage. Verify all parts are present. Read instructions completely before beginning.
- STEP 2. Attach brackets to step bars using 1/2" fasteners as shown. Leave loose.
- STEP 3. Attach step bar to body mounts as shown.
- STEP 4. Make sure step bar and brackets are properly aligned with vehicle and tighten all fasteners. Recommended torque value is 64 Ft. Lbs. for 1/2" fasteners and 79 Ft. Lbs. for 12mm fasteners..

**FINISH PROTECTION**

Westin products have a high quality finish that must be cared for like any other exposed finish on the vehicle. Protect the finish with a non abrasive automotive wax, (e.g. Pure Carnauba) on a regular basis. The use of any soap, polish or wax that contains an abrasive is detrimental, as the compounds scratch the finish and open it to corrosion.



INSTALLATION VIEW OF DRIVER SIDE SHOWN, PASSENGER SIDE OPPOSITE