



SIGNATURE OF QUALITY

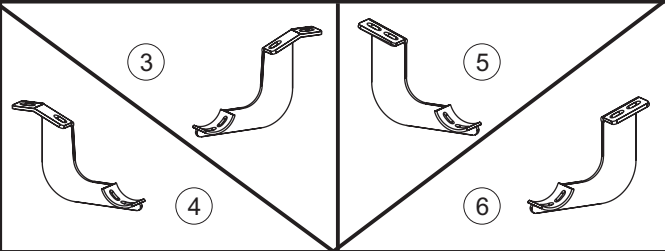
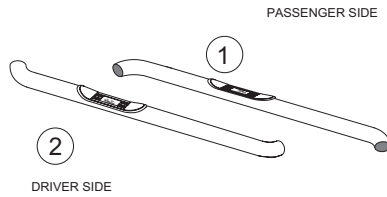
AUTOMOTIVE PRODUCTS, INC.

# INSTRUCTIONS

APPLICATION: 2007-2008 TOYOTA TUNDRA REGULAR CAB

## STEP BAR ASSEMBLIES

23-3260  
23-3265



ITEM	QTY	CONTENTS	TOOLS
1,2	2	STEP BAR, PASSENGER (1) AND DRIVER (2)	13MM SOCKET 13MM WRENCH RATCHET RATCHET EXTENSION TORQUE WRENCH
3,4	2	FRONT BRACKET, PASSENGER (3) AND DRIVER (4)	
5,6	2	REAR BRACKET, PASSENGER (5) AND DRIVER (6)	
7	8	M8-1.25 X 30MM HEX HEAD BOLT	
8	8	M8 FLAT WASHER	
9	8	M8 LOCK WASHER	
10	8	M8-1.25 X 25MM BUTTON HEAD BOLT	
11	8	M8 INTERNAL TOOTH LOCK WASHER	

- STEP 1. Remove the contents from box and check for damage. Verify all parts are present. Read instructions completely before beginning.
- STEP 2. Determine front and rear brackets.
- STEP 3. Attach passenger side brackets to underside of body panel using two M8-1.25 x 30mm hex head bolts, M8 flat washers, and M8 lock washers per bracket. Hand tighten. **SEE FIGURE 1.**
- STEP 4. Attach passenger side step bar to cradles with the *Westin* logo facing outward. **SEE FIGURE 2.**
- STEP 5. Make sure step bar and brackets are properly aligned and tighten fasteners. Recommended torque values are 23 FT.LBS. for 8mm fasteners.
- STEP 6. Repeat installation for driver side.

### FINISH PROTECTION

Westin products have a high quality finish that must be cared for like any other exposed finish on the vehicle. Protect the finish with a non-abrasive automotive wax, (e.g. Pure Carnauba) on a regular basis. The use of any soap, polish or wax that contains an abrasive is detrimental, as the compounds scratch the finish and open it to corrosion.

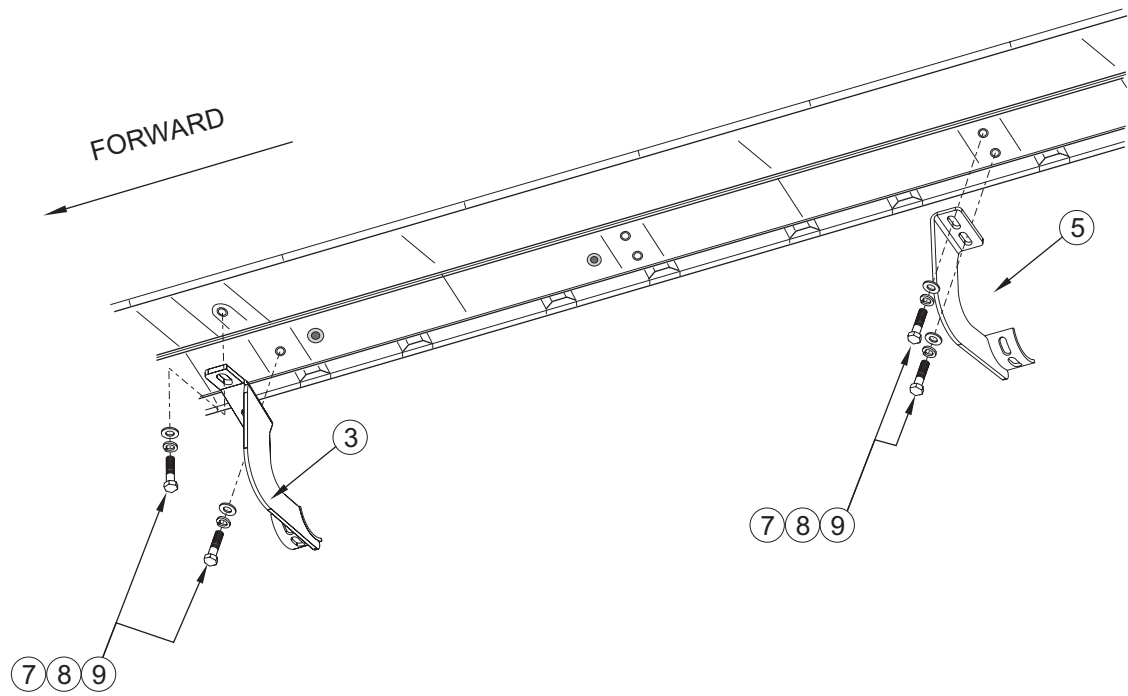


FIGURE 1 PASSENGER SIDE SHOWN

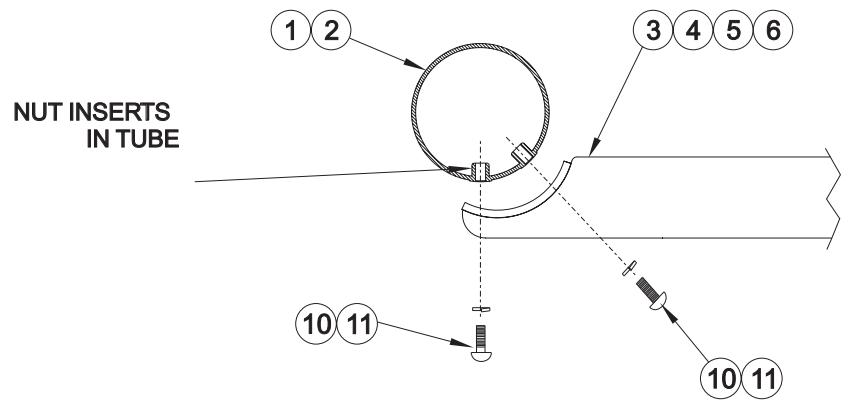


FIGURE 2 STEP BAR ATTACHMENT