



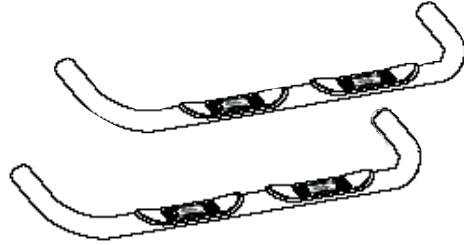
INSTALLATION INSTRUCTIONS

APPLICATION: 2005-07 DODGE DAKOTA D-CAB

AUTOMOTIVE PRODUCTS, INC.

STEP BAR ASSEMBLY

23-2790 23-2795



ITEM	QTY	CONTENTS	TOOLS
1	1	PASSENGER SIDE BAR (PINK SLEEVE)	3/4" SOCKET 18MM SOCKET 19MM SOCKET RATCHET TORQUE WRENCH
2	1	DRIVER SIDE BAR	
3	2	FRONT BRACKETS - DF/PF	
4	2	CENTER BRACKETS - DC/PC	
5	2	REAR BRACKETS - DR/PR	
6	4	3" PLASTIC RINGS, BLACK	
7	6	M12-1.75 x 120MM HEX HEAD BOLT	
8	4	1/2-13X1.75" HEX HEAD BOLTS	
9	10	1/2" FLAT WASHER	
10	10	1/2" LOCK WASHER	
11	2	3/8-16X1.00 HEX HEAD BOLT	
12	2	3/8" FLAT WASHER	
13	2	3/8" LOCK WASHER	

PRODUCT INSTALLATION:

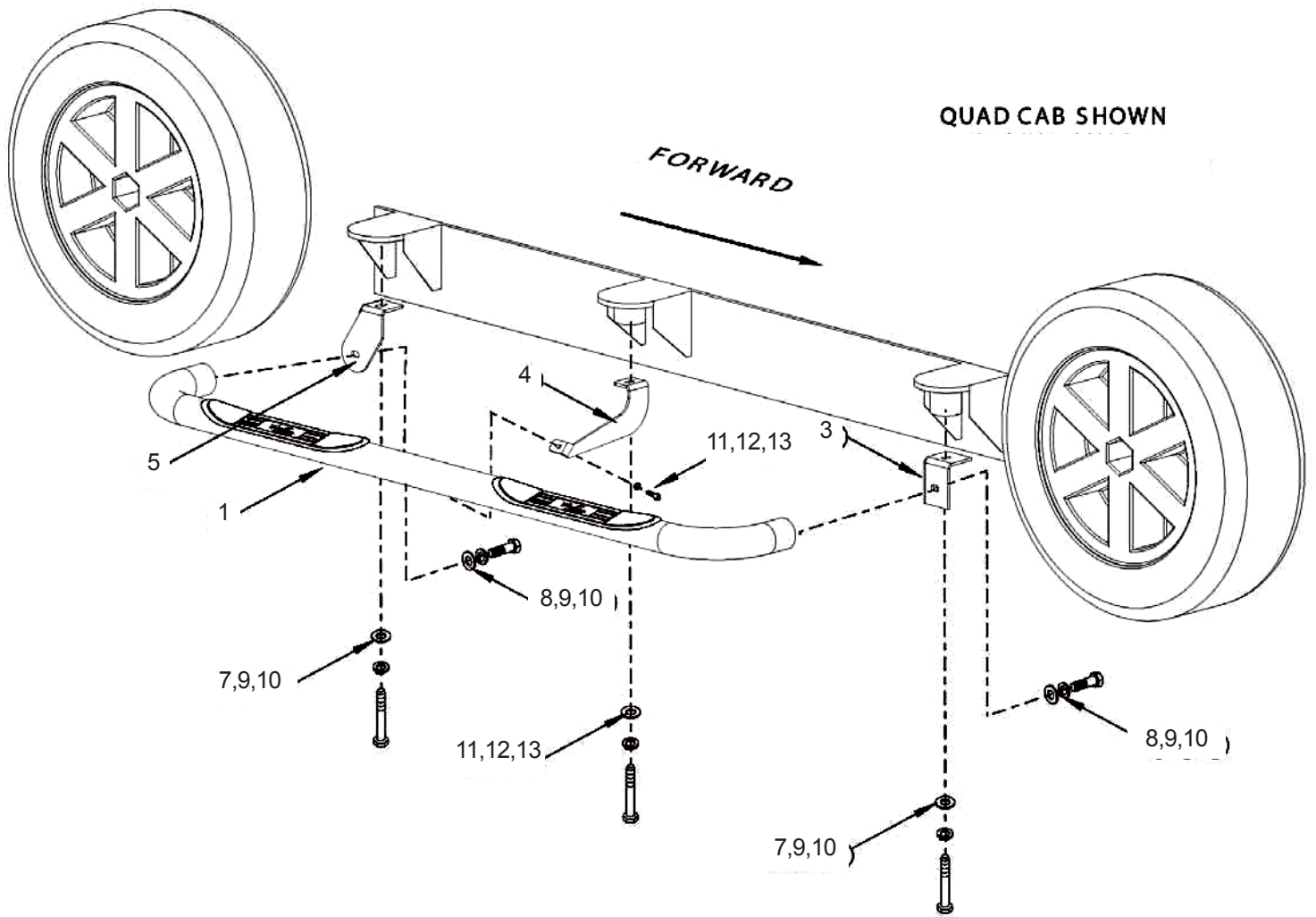
1. Verify all parts & hardware are present. Please read Instruction Sheets before installing. **NOTE:** No Drilling Required.
2. Remove 6 existing body mount bolts. SEE FIGURE 1
3. Install the front, center and rear brackets to the body mounts by replacing the factory bolts with (1) M12-1.75 x 120mm hex head bolt, (1) 1/2" flat washer, (1) 1/2" lock washer per bracket. Do not tighten bolts at this time.
4. Attach the step bars to the front and rear brackets using (1) 1/2-13 x 1.75" hex head bolt, (1) 1/2" flat washer, (1) 1/2" lock washer per bracket, and hand tighten. Torque 1/2" bolts first to 65 ft/lbs. and then tighten all remaining fasteners. **NOTE:** Attach the 3" black plastic rings to the end of the bars before attaching to brackets.
5. Attach the center brackets using the 3/8"-16x1.00" Hex Head Bolts, 3/8" Flat Washers/Lock Washers to the center of the step tube.
6. Once the brackets have been attached to the step bar fasten all hardware.

PRODUCT SPECIFICATIONS:

Side Bars have a 300 lbs. weight capacity.

PRODUCT CARE:

Westin products have a high quality finish that must be cared for like any other exposed finish on the vehicle. Protect the finish with a non-abrasive automotive wax, (e.g. Pure Carnauba) on a regular basis. The use of any soap, polish or wax that contains an abrasive is detrimental, as the compounds scratch the finish and open it to corrosion.



Looking for dependable side steps and nerf bars?

Rely on Westin for quality and long-lasting products.