



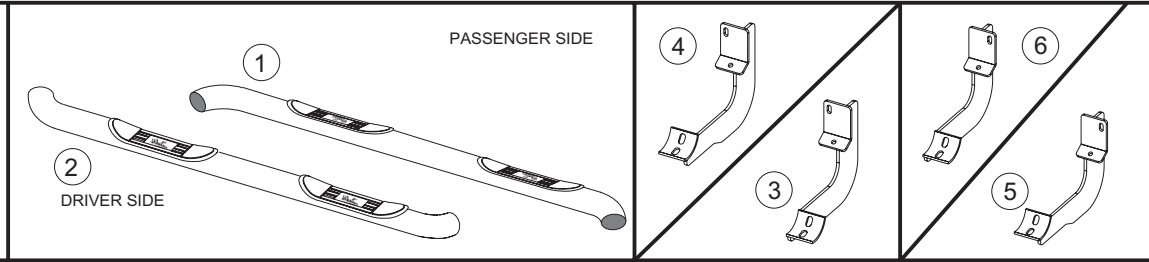
# INSTRUCTIONS

APPLICATION: 2005-08 NISSAN TITAN KING CAB/EXTENDED CAB

AUTOMOTIVE PRODUCTS, INC.

## STEP BAR ASSEMBLIES

23-2550  
23-2555

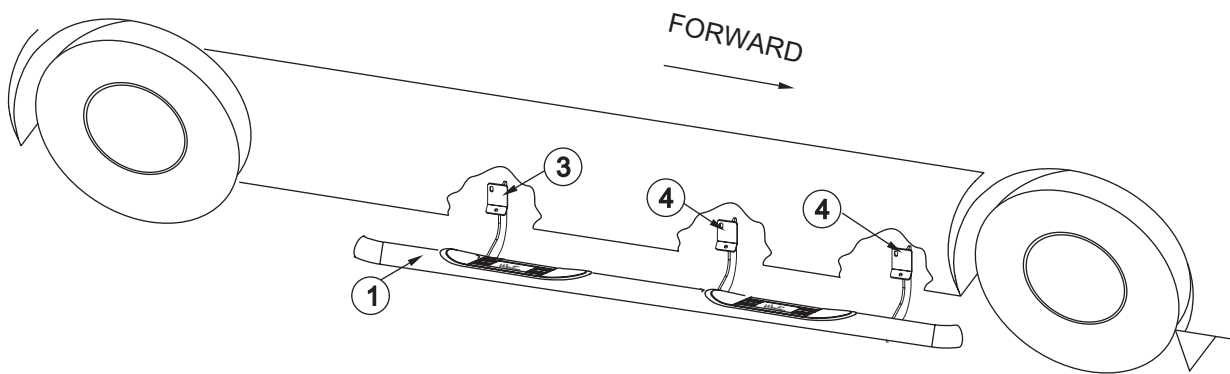


ITEM	QTY	CONTENTS	TOOLS
1,2	2	STEP BAR, PASSENGER (1) AND DRIVER (2)	12MM SOCKET 13MM SOCKET RATCHET TORQUE WRENCH
3	1	MOUNT PASSENGER REAR	
4	2	MOUNT PASSENGER FRONT AND CENTER	
5	1	MOUNT DRIVER REAR	
6	2	MOUNT DRIVER FRONT AND CENTER	
7	6	M8-1.25 X 25MM HEX HEAD BOLT	
8	12	M8 FLAT WASHER	
9	12	M8 LOCK WASHER	
10	6	M8-1.25 HEX NUT	
11	12	M10-1.5 X 30MM BUTTON HEAD BOLT	
12	12	M10 INTERNAL TOOTH LOCK WASHER	

- STEP 1. Remove contents from box and check for damage. Verify all parts are present. Read instructions completely before beginning.
- STEP 2. Locate passenger side mounting locations on vehicle. Attach mount brackets to rocker panel with M8 hardware. Leave loose. **SEE FIGURES 1 AND 2.**
- STEP 3. Attach passenger side step bar to cradles with the *Westin* logo facing outward as shown. Assemble with M10 fasteners. Leave loose. **SEE FIGURES 2 AND 3.** The step pad closest to the bend goes to the rear of the vehicle.
- STEP 4. Make sure step bar and brackets are properly aligned with vehicle and tighten fasteners. Recommended torque value is 23 Ft. Lbs. for 8mm fasteners and 28 Ft. Lbs for 10mm fasteners.
- STEP 5. Repeat installation for opposite side.

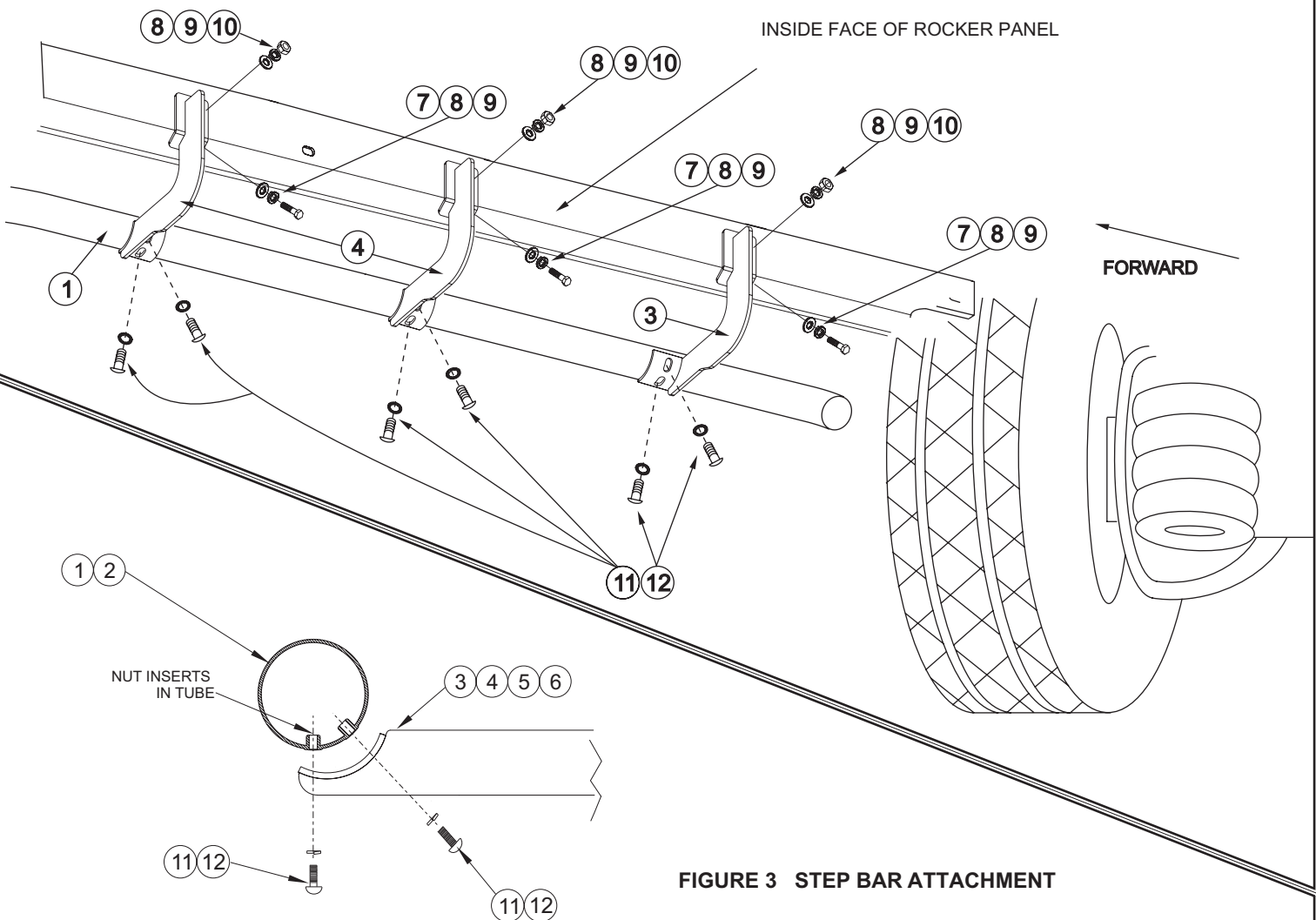
### FINISH PROTECTION

Westin products have a high quality finish that must be cared for like any other exposed finish on the vehicle. Protect the finish with a non-abrasive automotive wax, (e.g. Pure Carnauba) on a regular basis. The use of any soap, polish or wax that contains an abrasive is detrimental, as the compounds scratch the finish and open it to corrosion.



**FIGURE 1** INSTALLATION VIEW OF PASSENGER SIDE SHOWN, DRIVERS SIDE OPPOSITE

**FIGURE 2** INSTALLATION VIEW OF PASSENGER SIDE SHOWN, DRIVERS SIDE OPPOSITE



**FIGURE 3** STEP BAR ATTACHMENT