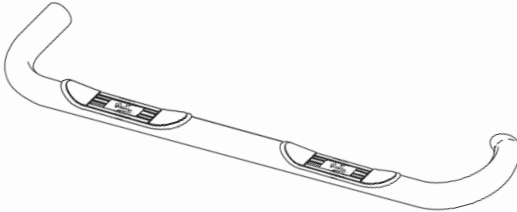




INSTRUCTIONS

APPLICATION: 2004-06 TOYOTA TUNDRA - D-CAB

AUTOMOTIVE PRODUCTS, INC.

STEP BAR ASSEMBLY		 <p>* PASSENGER SIDE BAR</p>	
23-2400	23-2405		
ITEM	QTY	CONTENTS	TOOLS
1	1	PASSENGER SIDE BAR (PINK SLEEVE)	3/4" WRENCH 3/4" SOCKET 6" EXTENSION RATCHET TORQUE WRENCH
2	1	DRIVER SIDE BAR	
3	2	FRONT MOUNTING BRACKET - DF/PF	
4	2	REAR MOUNTING BRACKET - DR/PR	
5	1	BOLT PLATE - DRIVER SIDE / LARGE	
6	1	BOLT PLATE - PASSENGER SIDE	
7	4	3" PLASTIC RINGS, BLACK	
8	6	1/2"-13 X 2.00" HEX HEAD BOLT	
9	8	1/2" FLAT WASHERS	
10	8	1/2" LOCK WASHERS	
11	4	1/2-13 HEX NUT	
12	2	SPACER WASHER, (1.88" O.D.)	

PRODUCT INSTALLATION:

1. Verify that all parts & hardware are present. Read instructions completely before installing.
 2. Locate the rectangular holes in frame towards the front of the vehicle. Insert bolt plates into the hole from the inside of frame. Attach front brackets as shown. Hand tighten. **See Figure 1**
 3. Attach rear brackets as shown, place behind body mount. Hand tighten. **NOTE:** Place the spacer washer under the head of the hex head bolt and insert through frame from the inside of frame.
 4. Place the side bars into position and attach tubes using (1) 1/2"-13 x 2.00" Hex head bolt, (1) 1/2" flat washer, (1) lock washer per bracket. Make sure the 3" plastic ring is attached at each end of tube. **NOTE:** Passenger Side Bar is packaged in a Pink sleeve.
 5. Verify that the side bars are level and square with the side of the vehicle and then completely tighten all hardware.
 6. Periodically check and retighten the hardware as necessary.
- *Be sure to use all hardware supplied and tighten all bolts.

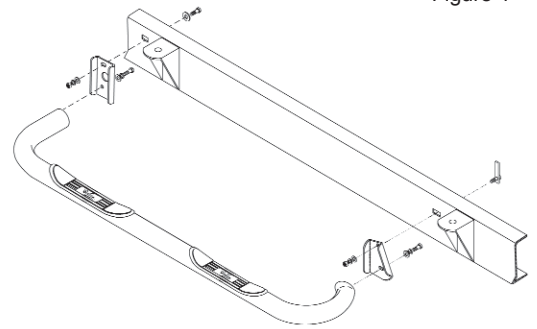
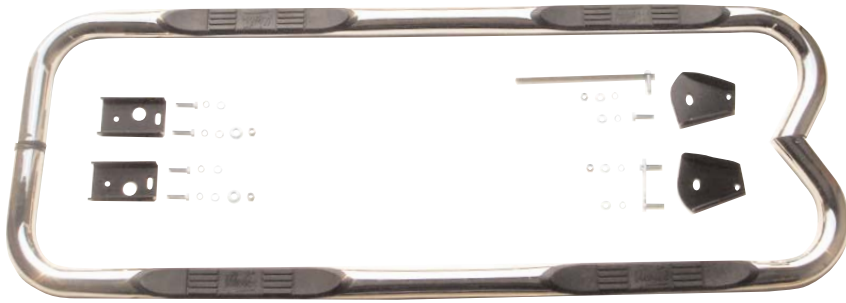
PRODUCT SPECIFICATIONS:

Side Bars have a 300 lb. weight capacity.

PRODUCT CARE:

Westin products have a high quality finish that must be cared for like any other exposed finish on the vehicle. Protect the finish with a non-abrasive automotive wax, (e.g. Pure Carnauba) on a regular basis. The use of any soap, polish or wax that contains an abrasive is detrimental, as the compounds scratch the finish and open it to corrosion.

Figure 1



FULL ASSEMBLY -



DRIVER FRONT -



PASSENGER FRONT -

DRIVER REAR -



PASSENGER REAR -

