



SIGNATURE OF QUALITY

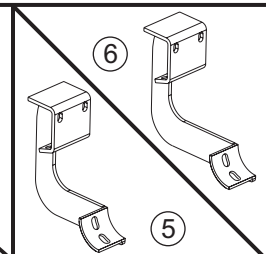
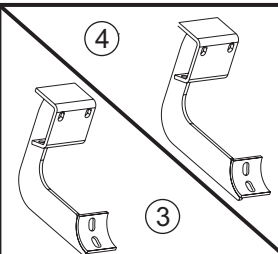
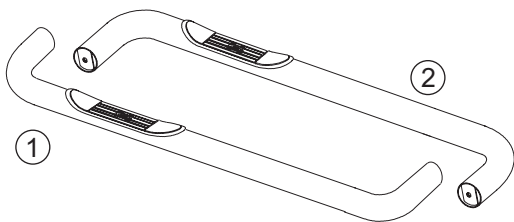
AUTOMOTIVE PRODUCTS, INC.

INSTRUCTIONS

APPLICATION: 2004-08 FORD F-150 REGULAR CAB(NOT HERITAGE EDITION)

STEP BAR ASSEMBLIES

23-2340
23-2345



ITEM	QTY	CONTENTS	TOOLS
1,2	2	STEP BAR, PASSENGER (1) AND DRIVER (2)	13MM SOCKET 13MM WRENCH RATCHET 12MM WRENCH TORQUE WRENCH
3,4	2	DRIVER SIDE BRACKET, FRONT(3) AND REAR (4)	
5,6	2	PASSENGER SIDE BRACKET, FRONT(5) AND REAR (6)	
7	16	M8-1.25 X 30MM HEX HEAD BOLT	
8	24	M8 FLAT WASHER	
9	16	M8 LOCK WASHER	
10	8	M8-1.25 HEX NUT	
11	8	M8-1.25 X 30MM BUTTON HEAD BOLT	
12	8	M8 INTERNAL TOOTH FLAT WASHER	
13	8	M8-1.25 NUT-CLIP	

- STEP 1. Remove contents from box and check for damage. Verify all parts are present. Read instructions completely before beginning.
- STEP 2. Remove black tape over mounting holes located on the inside face of rocker panel.
- STEP 3. Install extruded "u" nuts into mounting holes. **SEE FIGURE 1.**
- STEP 4. Attach front and rear brackets (Rear Brackets are longer). Hand tighten. **SEE FIGURE 2.**
- STEP 5. Attach step bar as shown. **SEE FIGURES 2 AND 3.**
- STEP 6. Make sure step bar and brackets are properly aligned and tighten all fasteners. Recommended torque values are 23 Ft.Lbs for M8 fasteners. **NOTE:** Westin advises the installer to use a thread lubricant on the stainless steel applications.

FINISH PROTECTION

Westin products have a high quality finish that must be cared for like any other exposed finish on the vehicle. Protect the finish with a non-abrasive automotive wax, (e.g. Pure Carnauba) on a regular basis. The use of any soap, polish or wax that contains an abrasive is detrimental, as the compounds scratch the finish and open it to corrosion.

FIGURE 1

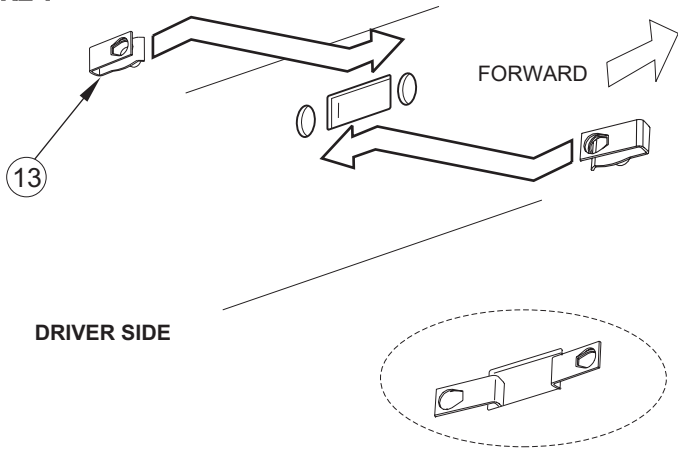
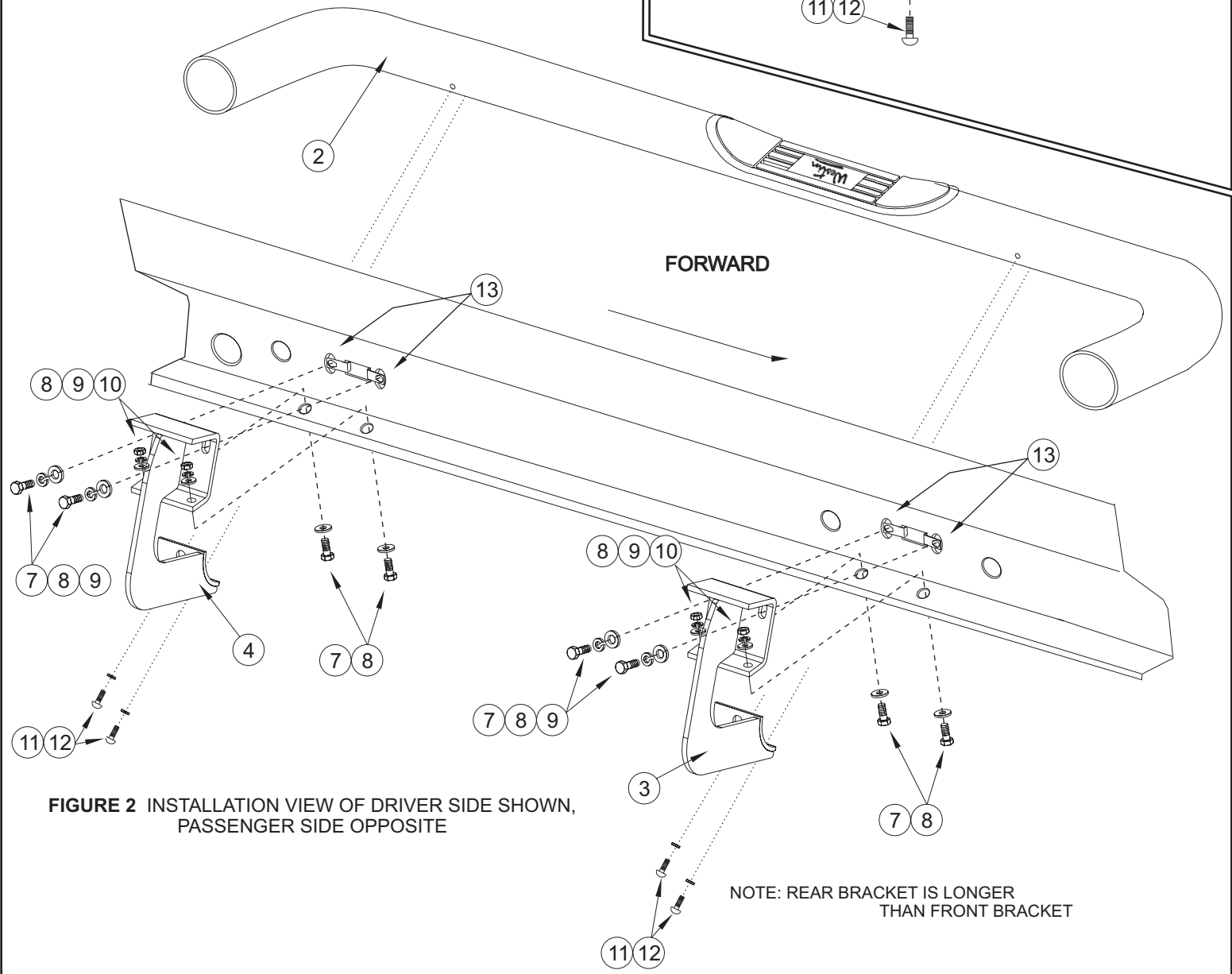
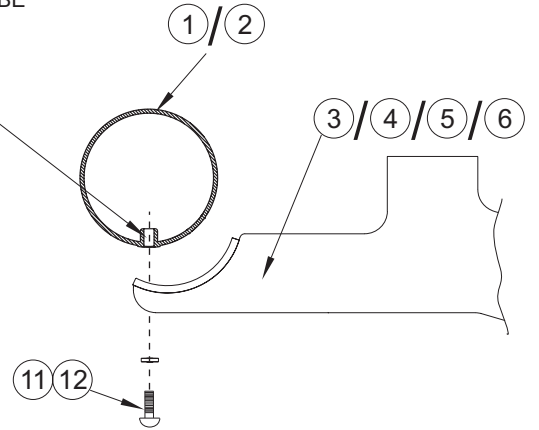


FIGURE 3 STEP BAR ATTACHMENT

NUT INSERTS
IN TUBE



**FIGURE 2 INSTALLATION VIEW OF DRIVER SIDE SHOWN,
PASSENGER SIDE OPPOSITE**

NOTE: REAR BRACKET IS LONGER
THAN FRONT BRACKET