



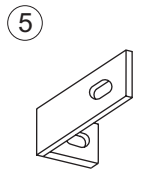
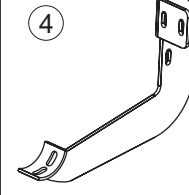
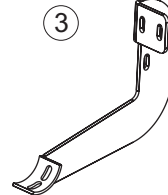
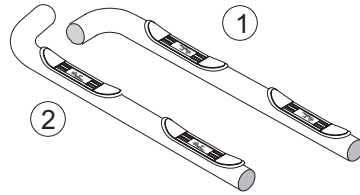
AUTOMOTIVE PRODUCTS, INC.

INSTRUCTIONS

APPLICATION: 2002-08 CHEVROLET TRAILBLAZER
 2002-08 GMC ENVOY
 2002-04 OLDSMOBILE BRAVADA
 2003-08 ISUZU ASCENDER 5 PASSENGER

STEP BAR ASSEMBLIES

23-2130
 23-2135

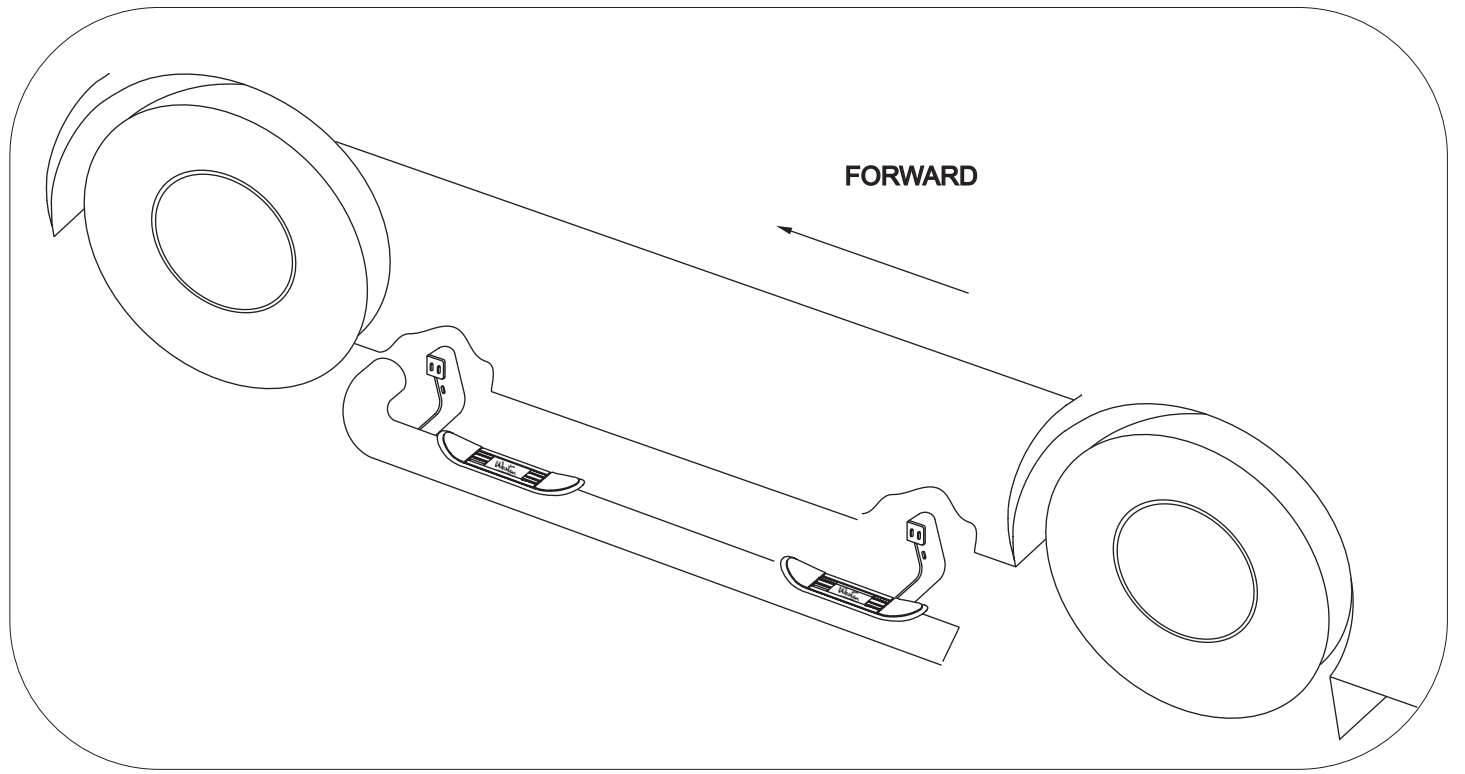


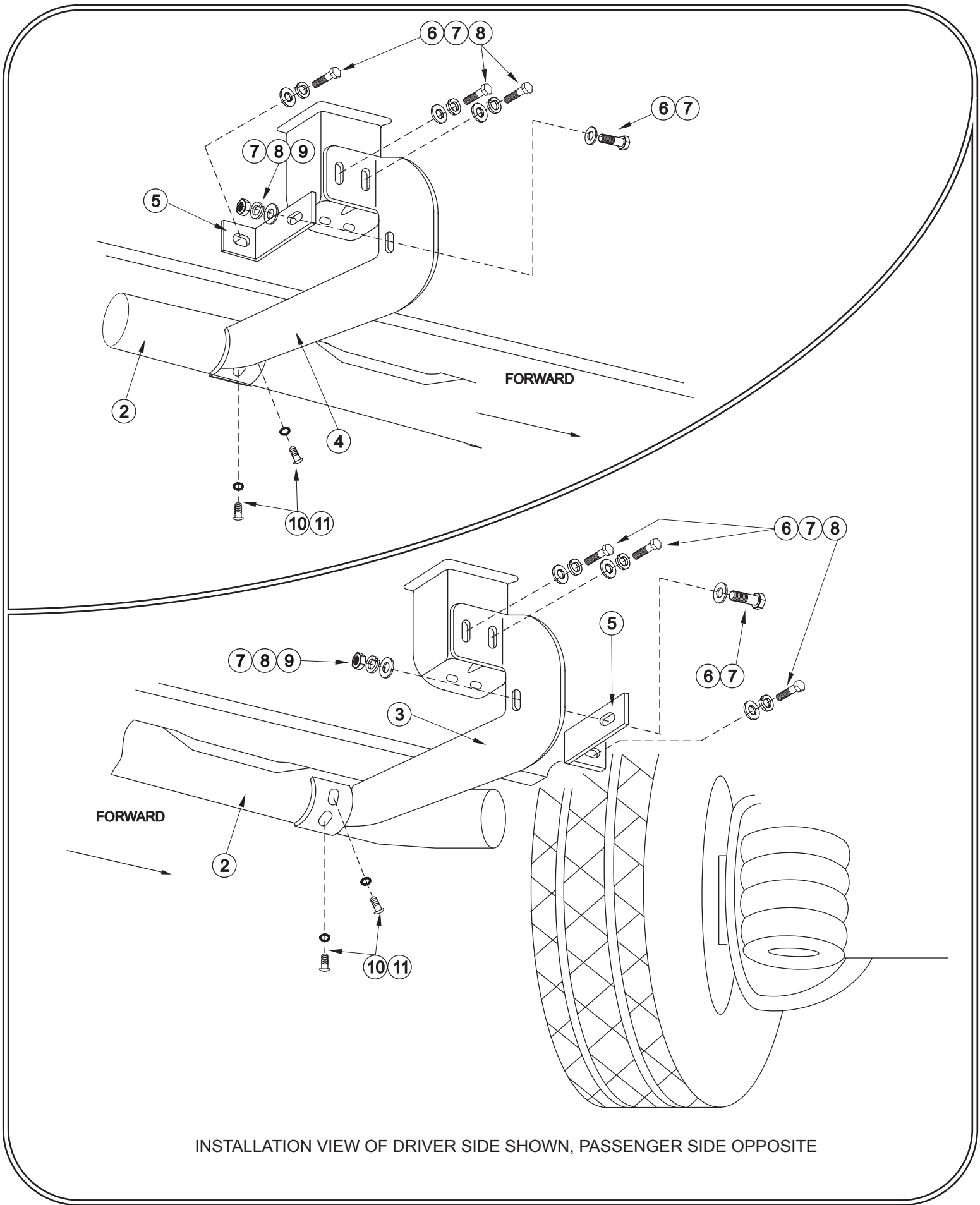
ITEM	QTY	CONTENTS	TOOLS
1,2	2	STEP BAR, PASSENGER (1) AND DRIVER (2)	13MM SOCKET 12MM WRENCH 13MM WRENCH RATCHET TORQUE WRENCH
3	2	BRACKET, DRIVER FRONT AND PASSENGER REAR	
4	2	BRACKET, DRIVER REAR AND PASSENGER FRONT	
5	4	SUPPORT BRACE	
6	16	M8-1.25 X 30MM HEX HEAD BOLT	
7	20	8MM FLAT WASHER	
8	16	8MM LOCK WASHER	
9	4	M8-1.25 HEX NUT	
10	8	M10-1.50 X 30MM BUTTON HEAD BOLT	
11	8	M10 INTERNAL TOOTH LOCK WASHER	

- STEP 1. Remove the contents from box and check for damage. Verify all parts are present. Read instructions completely before beginning.
- STEP 2. Attach brackets to vehicle body using metric fasteners as shown. Leave loose.
- STEP 3. Attach support braces to vehicle body and bracket using metric fasteners as shown. Leave loose.
- STEP 4. Attach step bar to brackets using M8 fasteners. Leave loose.
- STEP 5. Make sure step bar and brackets are properly aligned with vehicle and tighten all fasteners. Recommended torque value is 23 Ft. Lbs. for 8mm fasteners and 28 Ft. Lbs for 10mm fasteners.

FINISH PROTECTION

Westin products have a high quality finish that must be cared for like any other exposed finish on the vehicle. Protect the finish with a non-abrasive automotive wax, (e.g. Pure Carnauba) on a regular basis. The use of any soap, polish or wax that contains an abrasive is detrimental, as the compounds scratch the finish and open it to corrosion.





INSTALLATION VIEW OF DRIVER SIDE SHOWN, PASSENGER SIDE OPPOSITE