



SIGNATURE OF QUALITY

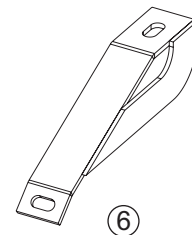
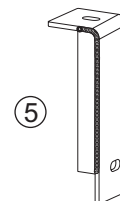
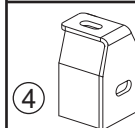
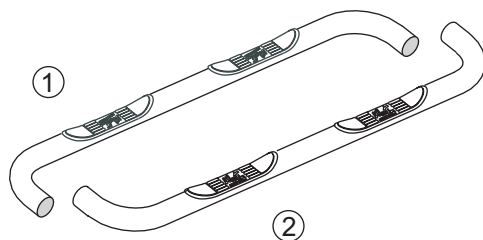
AUTOMOTIVE PRODUCTS, INC.

INSTRUCTIONS

APPLICATION: 2001-08 SILVERADO/SIERRA 2500/3500 HD EXTENDED
1999-08 SILVERADO/SIERRA EXTENDED CAB 1500/2500 LD

STEP BAR ASSEMBLIES

23-1680
23-1685



ITEM	QTY	CONTENTS	TOOLS
1,2	2	STEP BAR, PASSENGER (1) AND DRIVER (2)	3/4" SOCKET 3/4" WRENCH 16MM SOCKET 18MM SOCKET 19MM SOCKET EXTENSION RATCHET
3,4	2	FRONT BRACKET, PASSENGER (3) AND DRIVER (4)	
5	2	REAR BRACKET	
6	2	CENTER BRACKET	
7	4	1/2-13 X 1.75" HEX HEAD BOLT	
8	4	1/2" FLAT WASHER	
9	4	1/2" LOCK WASHER	
10	2	M10-1.5 X 25MM HEX HEAD BOLT	
11	2	M10 FLAT WASHER	
12	2	M10 LOCK WASHER	

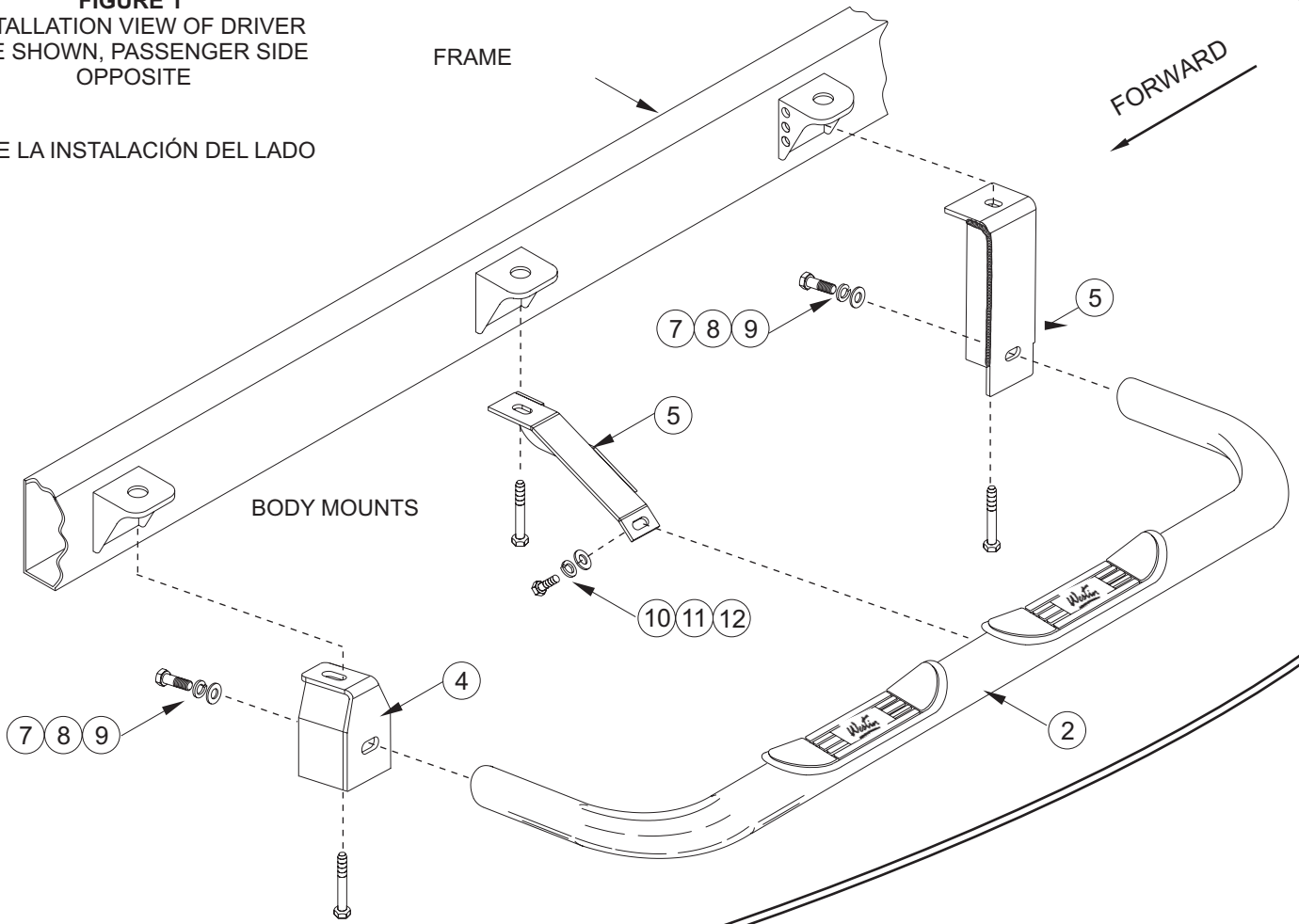
- STEP 1. Remove contents from box and check for damage. Verify all parts are present. Read instructions completely before beginning.
- STEP 2. Remove drivers side body mount bolts located under cab of vehicle. Keep existing washers and rubber bushings in place. Attach front bracket as shown. Leave loose.
- STEP 3. Position front bracket up to the front body mount and attach with the appropriate fasteners. Adjust bracket in towards the frame so there is at least 1/8" clearance between the brackets and the body mount pocket. Hand tighten. **SEE FIGURE 1 AND 2.**
IMPORTANT NOTE: BRACKETS WILL NOT BE EXTENDED ALL THE WAY OUT WHEN FULLY TIGHTENED. As you tighten up the brackets, make sure you maintain the desired clearance between the bracket and the body mount pocket.
- STEP 4. Attach brackets as shown. Hand tighten. **SEE FIGURE 1.**
- STEP 5. Attach step bar as shown. Hand tighten. The step pad closer to the bend goes to the rear of the vehicle. **SEE FIGURE 1.**
- STEP 6. Make sure step bar and brackets are properly aligned and tighten fasteners. Recommended torque values are 74 Ft.Lbs. for factory bolts, 64 Ft.Lbs. for 1/2" fasteners and 26 FT.LBS. for M10 fasteners. **NOTE:** Westin advises the installer to use a thread lubricant bolt threads for stainless steel applications.
- STEP 7. Repeat for passenger side.

FINISH PROTECTION

Westin products have a high quality finish that must be cared for like any other exposed finish on the vehicle. Protect the finish with a non-abrasive automotive wax, (e.g. Pure Carnauba) on a regular basis. The use of any soap, polish or wax that contains an abrasive is detrimental, as the compounds scratch the finish and open it to corrosion.

FIGURE 1
INSTALLATION VIEW OF DRIVER
SIDE SHOWN, PASSENGER SIDE
OPPOSITE

VISTE LA INSTALACIÓN DEL LADO



MIN. 1/8" CLEARANCE REQUIRED

BODY MOUNT

4

FORWARD

FIGURE 2
DRIVER SIDE FRONT BODY MOUNT

FRAME