

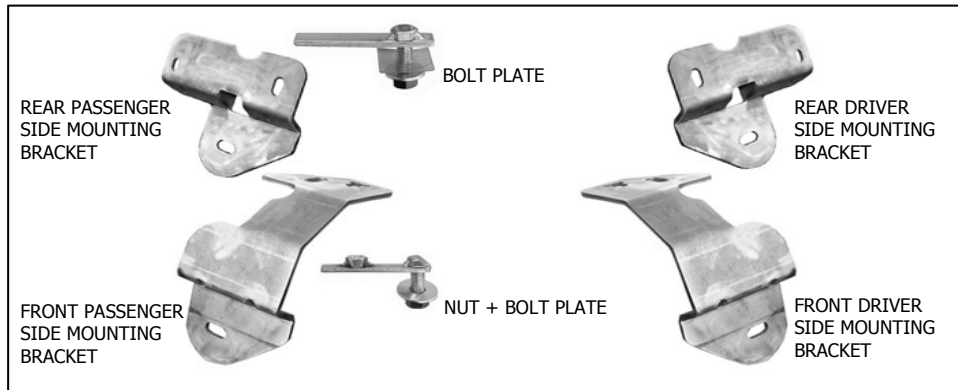


INSTRUCTIONS
4" OVAL PLATINUM STEP BARS
 P/N: 21-3500, 21-3505, 21-3510, 21-3515, 21-3520, 21-3525
 APPLICATION: 2009-2010 FORD F-150 REGULAR, SUPERCAB, SUPERCREW

PART	QUANTITY	DESCRIPTION	TOOLS
1	2	SIDE BARS (DRIVER & PASSENGER SIDE)	3/4" SOCKET
2	2	FRONT MOUNTING BRACKETS (DRIVER & PASSENGER SIDE)	16MM SOCKET
3	2	REAR MOUNTING BRACKETS (DRIVER & PASSENGER SIDE)	13MM SOCKET
4	2	M12 NUT + BOLT PLATE	SOCKET WRENCH
5	2	M12 NUT PLATE	3/8" DRILL BIT
6	4	11MM PLASTIC RETAINERS	ELECTRIC DRILL
7	2	9MM PLASTIC RETAINERS	
8	4	1/2" X 2" HEX BOLTS	
9	4	1/2" X 1-1/4" O.D. FLAT WASHERS	
10	4	1/2" LOCK WASHERS	
11	4	M12 X 30MM O.D. FLAT WASHERS	
12	4	M12 LOCK WASHERS	
13	4	M12 HEX NUTS	
14	4	M10-1.5MM X 35MM HEX BOLTS	
15	6	M10 X 30MM O.D. FLAT WASHERS	
16	4	M10 LOCK WASHERS	
17	2	M10 HEX NUTS	
18	4	M8-1.25MM X 30MM HEX BOLTS	
19	4	M8 X 22MM O.D. FLAT WASHERS	
20	4	M8 X 17MM FLAT WASHERS	
21	4	M8 LOCK WASHERS	
22	4	M8 HEX NUTS	



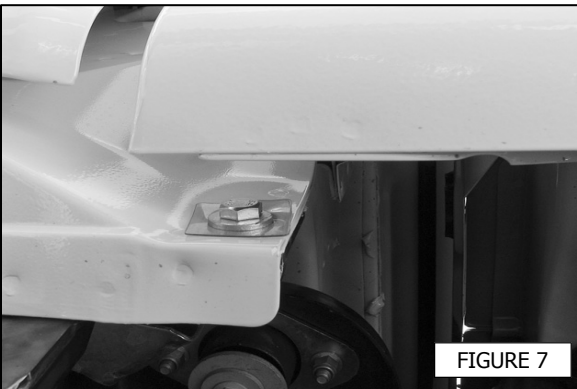
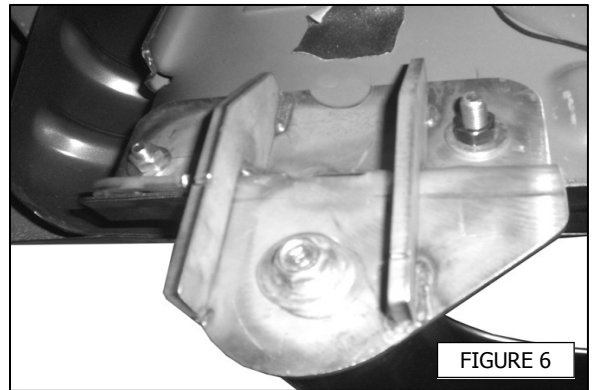
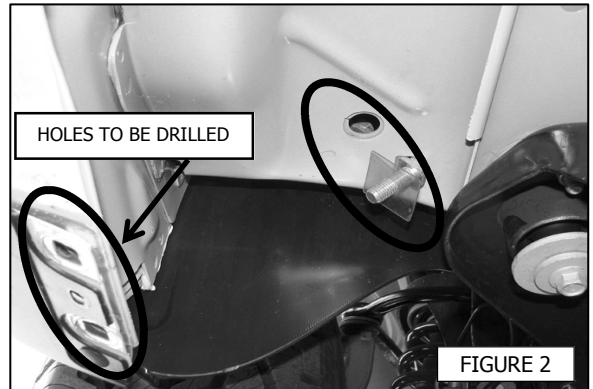
INSTRUCTIONS
4" OVAL PLATINUM STEP BARS
 P/N: 21-3500, 21-3505, 21-3510, 21-3515, 21-3520, 21-3525
 APPLICATION: 2009-2010 FORD F-150 REGULAR, SUPERCAB, SUPERCREW



- Remove contents from box, verify that all parts listed above are present. Read install instructions carefully before installing. NOTE: Drilling may be required for this application.
- Starting at the front driver side; remove the (2) small hex bolts and (1) plastic retainer pin located at the bottom of the front fender. Also remove the (2) retaining clips under the fender. (FIGURE 1)
- Locate the round and square holes below the floor near the front body mounts. With (1) 11MM plastic retainer attached, insert (1) nut + bolt plate through the square hole so the nut portion is seen through the round hole. The retainer is used so the plate will not fall through the body. (FIGURE 2)
- The two holes on the fender may have to be drilled to 3/8" for extra bolt clearance to ease installation. (FIGURE 2)
- Position the front driver side mounting bracket so the stud on the bolt plate comes through the T-slot on top of the bracket, and the two slots on the bottom portion of the bracket line up with the fender holes. The bracket will have to be rotated into position. Secure the studded portion of the nut + bolt plate with (1) M12 flat washer, (1) M12 lock washer, and (1) M12 hex nut. Secure the nut portion of the nut + bolt plate with (1) M10 x 35MM hex bolt, (1) M10 flat washer, and (1) M10 lock washer. Do not tighten at this time. (FIGURE 3,4,5)
- Secure the bottom portion of the front bracket at the fender with (2) M8 x 30MM hex bolts, (2) M8 x 22MM O.D. flat washers on the fender side, (2) M8 x 17MM flat washers, (2) M8 lock washer, and (2) M8 hex nuts. Do not tighten at this time. (FIGURE 5)
- At the driver side rear section of the inner rocker panel, remove the tape that covers the holes. Insert (1) M12 bolt plate, and thread on (1) 11MM plastic retainer to hold plate in place. (FIGURE 6)
- Hang the driver side rear mounting bracket on the stud and secure with (1) M12 flat washer, (1) M12 lock washer, and (1) M12 hex nut.
- Align the rear hole of the rear mounting bracket with the hole on the vehicle and secure using (1) M10 x 35MM hex bolt, (2) M10 flat washer with (1) 9MM plastic retainer facing the painted side to protect the finish, (1) M10 lock washer, and (1) M10 hex nut. Do not tighten at this time. (FIGURE 6,7)
- Attach the driver side bar to the mounting brackets using (2) 1/2" hex bolts, (2) 1/2" flat washers, and (2) 1/2" lock washers. (FIGURE 6,8)
- Align all parts as desired and tighten all hardware.
- Repeat steps 2-11 for the passenger side. NOTE: For step 3, remove then replace ground strap after front bracket installation.



INSTRUCTIONS
4" OVAL PLATINUM STEP BARS
P/N: 21-3500, 21-3505, 21-3510, 21-3515, 21-3520, 21-3525
APPLICATION: 2009-2010 FORD F-150 REGULAR, SUPERCAB, SUPERCREW



Feel the difference with Westin.

Check out the collection of side steps and nerf bars we offer.