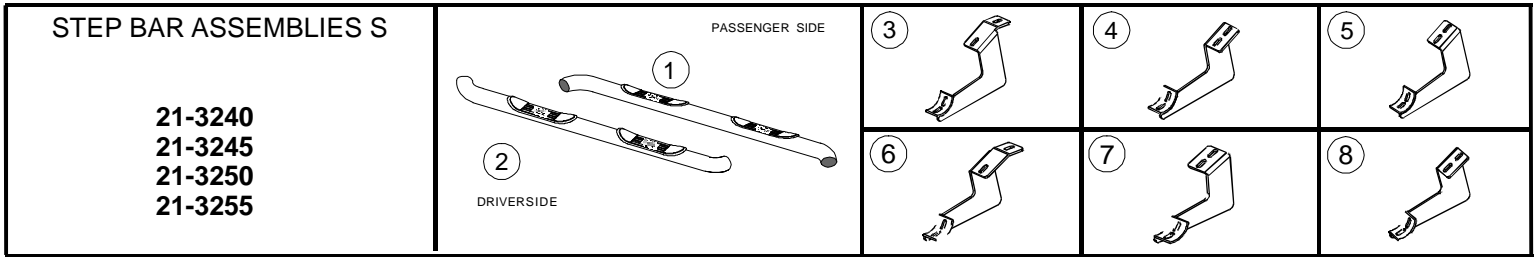




INSTRUCTIONS

APPLICATION: 2007-2008 TOYOTA TUNDRA DOUBLE CAB AND CREW MAX 8

AUTOMOTIVE PRODUCTS, INC.



ITEM	QTY	CONTENTS	TOOLS
1	1	PASSENGER SIDE STEP BAR (PINK SLEEVE)	13MM SOCKET 13MM WRENCH RATCHET RATCHET EXTENSION TORQUE WRENCH
2	1	DRIVER SIDE STEP BAR	
3,6	2	FRONT BRACKET, PASSENGER (3) AND DRIVER (6)	
4,7	2	CENTER BRACKET, PASSENGER (4) AND DRIVER (7)	
5,8	2	REAR BRACKET, PASSENGER (5) AND DRIVER (8)	
9	24	M8-1.25 X 25MM HEX HEAD BOLT	
10	24	M8 FLAT WASHER	
11	24	M8 LOCK WASHER	

- STEP 1.** Remove the contents from box and check for damage. Verify all parts are present. Read instructions completely before beginning. Determine front, center, and rear brackets.
- STEP 2.** Attach passenger side brackets to underside of body panel using two M8-1.25 x 30mm hex head bolts, M8 flat washers, and M8 lock washers per bracket. Hand tighten. **SEE FIGURE 1.**
- STEP 3.** Attach passenger side step bar to cradles with the Westin logo facing outward. **SEE FIGURE 2.**
 Double Cab: The step pad closer to the bend goes to the rear of the vehicle.
 Crew Max: The step pad closer to the bend goes to the front of the vehicle.
- STEP 4.** Make sure step bar and brackets are properly aligned with vehicle and tighten fasteners. Recommended torque values is 23 FT.LBS. for 8mm bolts.
- STEP 5.** Repeat installation for driver side.

FINISH PROTECTION

Westin products have a high quality finish that must be cared for like any other exposed finish on the vehicle. Protect the finish with a non-abrasive automotive wax, (e.g. Pure Carnauba) on a regular basis. The use of any soap, polish or wax that contains an abrasive is detrimental, as the compounds scratch the finish and open it to corrosion.

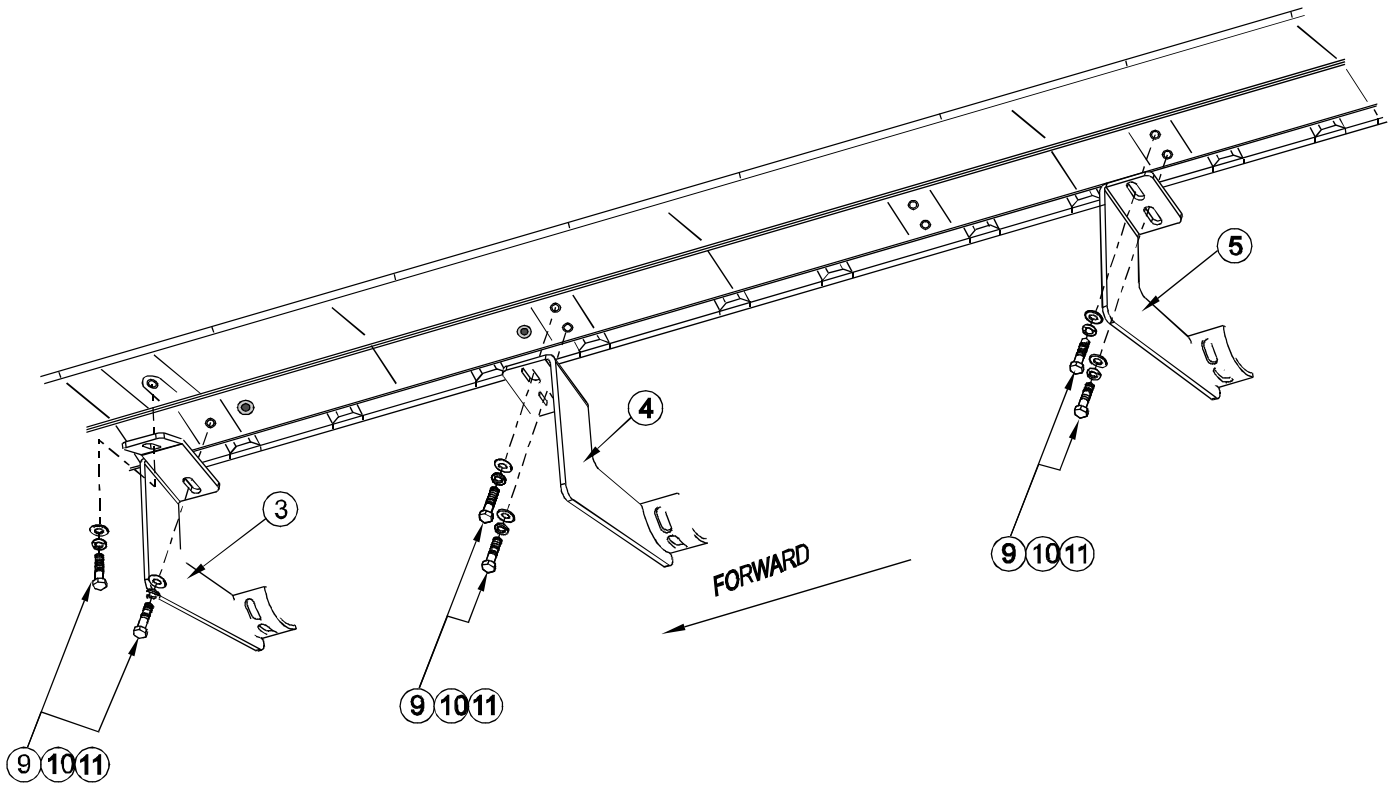


FIGURE 1 PASSENGER SIDE SHOWN

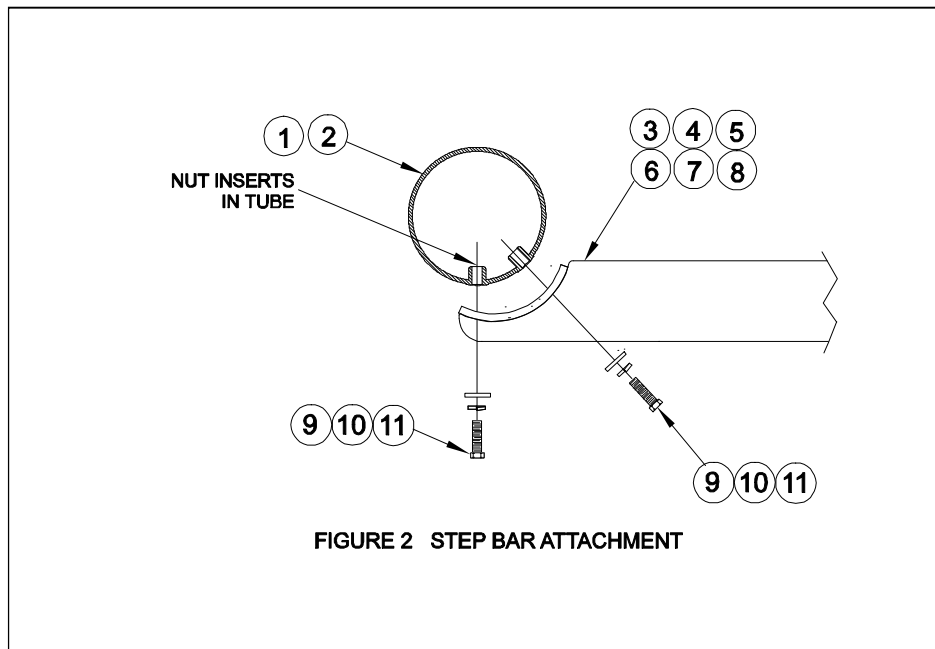


FIGURE 2 STEP BAR ATTACHMENT