



SIGNATURE OF QUALITY

AUTOMOTIVE PRODUCTS, INC.

INSTRUCTIONS

APPLICATION: 2006-2009 DODGE RAM MEGA CAB
PART NUMBER: 21-2900, 21-2905

ITEM	QUANTITY	CONTENTS-CONTENIDO-CONTENU	TOOLS-HERRAMIENTAS-OUTILS
1,2	2	STEP BAR (DRIVER & PASSENGER SIDE)	12MM SOCKET
2	2	FRONT MOUNTING BRACKET	10MM SOCKET
3	2	FRONT SUPPORT BRACKET	RATCHET
4	2	REAR MOUNTING BRACKET	
5	2	CENTER SUPPORT BRACKET	
6	2	M10 X 40MM HEX HEAD BOLT	
7	2	M10 X 25MM HEX HEAD BOLT	
8	2	M10 X 40MM BOLT PLATE	
9	2	M10 X 25MM BOLT PLATE	
10	6	M10 HEX NUT	
11	8	M10 LOCK WASHER	
12	10	M10 OVERSIZE FLAT WASHER	
13	4	M12 X 120MM HEX HEAD BOLT	
14	4	M12 OVERSIZE FLAT WASHER	
15	4	M12 LOCK WASHER	
16	4	1/2" X 2" HEX HEAD BOLT	
17	4	1/2" FLAT WASHER	
18	4	1/2" LOCK WASHER	



SIGNATURE OF QUALITY

AUTOMOTIVE PRODUCTS, INC.

INSTRUCTIONS

APPLICATION: 2006-2009 DODGE RAM MEGA CAB
PART NUMBER: 21-2900, 21-2905

1. Remove contents from box and check for damage. Verify all parts are present. Read and understand instructions before beginning.
2. Underneath the driver side rocker panel, you will find the three body cab mounts.
3. Remove the front body mount bolt. The body mount isolator bushing will also be removed.
4. Using the supplied M12 X 120MM bolt and washers, install the front step bar mount to the body mount with the isolator bushings installed first. (FIGURE 2)
5. Insert the M10 X 40MM bolt plate into the frame rail slot located behind the front body mount, then install the front support bracket to the front step bar mount using the M10 fasteners supplied.
6. Insert the M10 X 25MM bolt plate into the slot located at the center of the backside of the rocker panel, and install the center support bracket using the remaining M10 fasteners.
7. Remove the rear body mount bolt from the vehicle. Attach the rear mounting bracket to the body mount using the factory bolt.
8. Attach the step bar to the front and rear mounting brackets using the supplied 1/2" hardware. Use the remaining M10 hardware to secure the center support bracket to the step bar.
9. Repeat steps 3 to 8 for the passenger side step bar
10. Tighten all M12 fasteners (60-70 lbs-ft)
11. Tighten all M10 fasteners (40-50 lbs-ft)
12. Tighten all 1/2" fasteners (65-75 lbs-ft)

FINISH PROTECTION

Westin products have a high quality finish that must be cared for like any other exposed finish on the vehicle. Protect the finish with a non-abrasive automotive wax, (e.g. Pure Carnauba) on a regular basis. The use of any soap, polish or wax that contains an abrasive is detrimental, as the compounds scratch the finish and open it to corrosion.

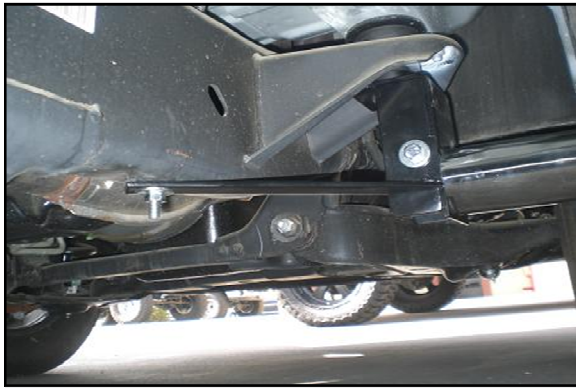
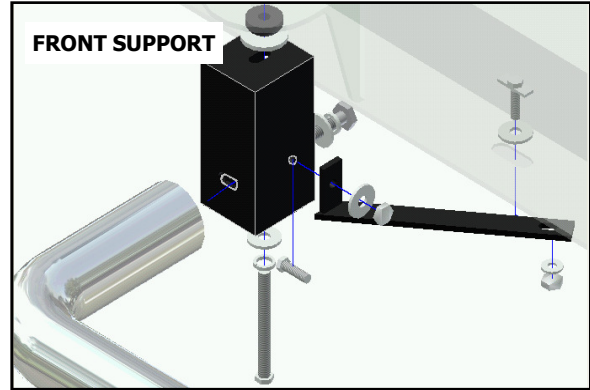
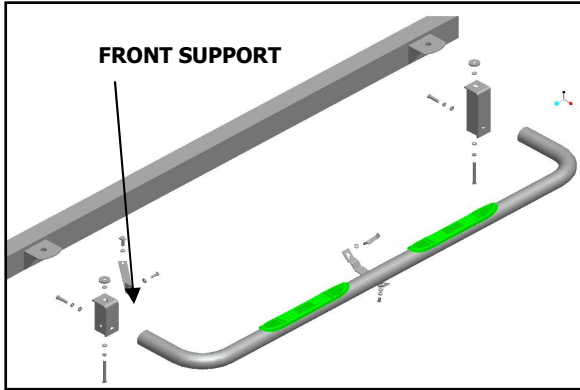
Westin

SIGNATURE OF QUALITY

AUTOMOTIVE PRODUCTS, INC.

INSTRUCTIONS

APPLICATION: 2006-2009 DODGE RAM MEGA CAB
PART NUMBER: 21-2900, 21-2905



Feel the difference with Westin.

Check out the collection of side steps and nerf bars we offer.