



AUTOMOTIVE PRODUCTS,

INSTALLATION INSTRUCTIONS

PRO TRAXX 4 & 5 OVAL STEP BAR

APPLICATION:

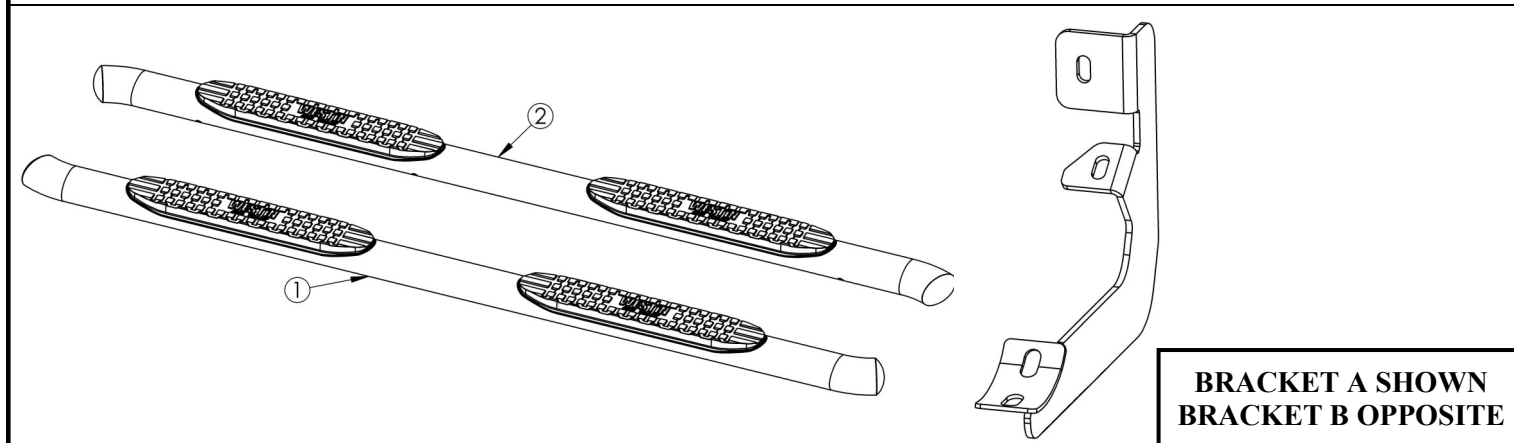
2016 Nissan Titan XD Crew Cab

PART NUMBER:

21-24020, 21-24025, 21-54020, 21-54025

ITEM	QUANTITY	DESCRIPTION	TOOLS NEEDED
1,2	2	STEP BAR ASSEMBLY, DRIVER (1) AND PASSENGER (2)	13.MM SOCKET
3	3	MOUNT BRACKET A	13MM WRENCH
4	3	MOUNT BRACKET B	RATCHET
5	12	M8 HEX HEAD CAP SCREW (YELLOW ZINC)	TORQUE WRENCH
6	12	M8 FLAT WASHER (YELLOW ZINC)	
7	12	M8 SPRING LOCK WASHER (YELLOW ZINC)	
8	12	M10 BUTTON HEAD SOCKET CAP SCREW (BLACK ZINC)	
9	12	M10 FLAT WASHER (BLACK ZINC)	
10	12	M10 INTERNAL TOOTHED LOCK WASHER (BLACK ZINC)	

ANTI-SEIZE LUBRICANT MUST BE USED ON ALL STAINLESS STEEL FASTENERS TO PREVENT THREAD DAMAGE AND GALLING



PROCEDURE

- Remove contents from box, verify if all parts listed are present and free from damage. Carefully read and understand all instructions before attempting installation.
Failure to identify damage before installation could lead to a rejection of any claim.
- Starting on the driver's side. Locate front mounting location and locate (1) mount bracket B and loosely install onto rocker panel using (2) M8 hex head cap screws, (2) M8 flat washers and (2) M8 lock washers. **See Figure 1.**
- Repeat step 2 for the rest of the driver side mount locations. Use bracket B for driver side.
- Repeat step 2 for the passenger side but use mount bracket A instead of mount bracket B.
- Locate (2) step bar assembly and loosely secure onto the previously installed brackets using the provided M10 hardware. **See Figure 2.**
- Align and adjust step bars as necessary then tighten hardware: M8 to 16 - 20 ft-lbs and M10 to 30 - 35 ft-lbs.



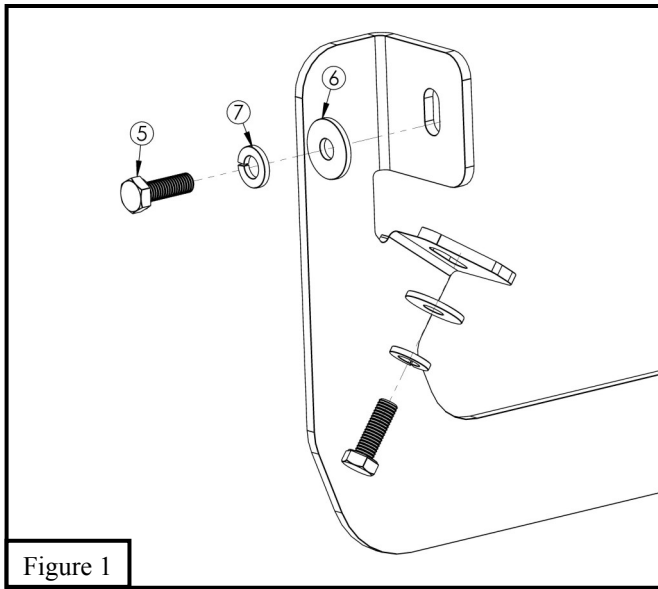


Figure 1

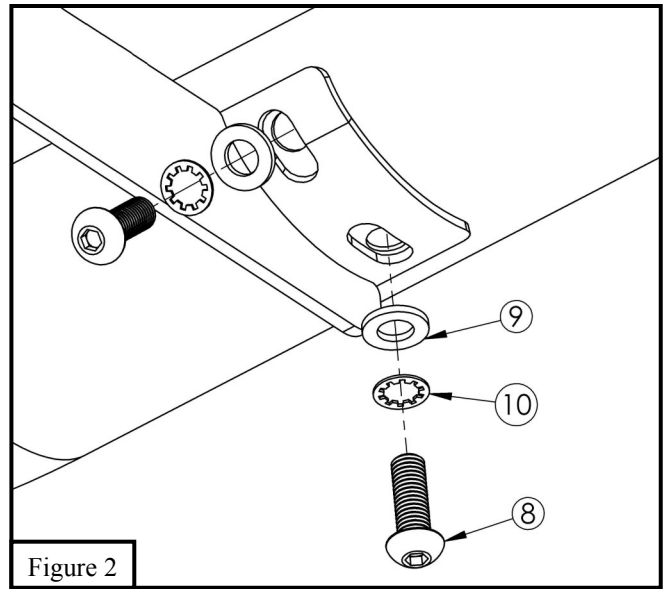


Figure 2



INSTALLATION COMPLETE

CARE INSTRUCTIONS

- REGULAR WAXING IS RECOMMENDED. DO NOT USE ANY TYPE OF POLISH OR WAX THAT MAY CONTAIN ABRASIVES.
- STAINLESS STEEL PRODUCTS CAN BE CLEANED WITH MILD SOAP AND WATER. STAINLESS STEEL POLISH SHOULD BE USED TO POLISH SMALL SCRATCHES.
- GLOSS BLACK FINISHES SHOULD BE CLEANED WITH MILD SOAP AND WATER.

Westin

SIGNATURE OF QUALITY

AUTOMOTIVE PRODUCTS, INC.



WARNING



Failure to follow these instructions could lead to death, personal injury, and / or property damage.

FASTENERS:

All Westin supplied fasteners must be utilized and installed in accordance with the installation instructions and apply torque to the specifications as defined. **DOUBLE CHECK ALL FASTENERS BEFORE INITIAL USE, AND PERIODICALLY IN THE FUTURE TO ENSURE PROPER FUNCTION AND SAFETY.**

DRILLING:

Most Westin products do not require drilling for installation. If drilling is defined as required, use caution when drilling a vehicle. **FAILURE TO REVIEW AN AREA TO BE DRILLED MAY RESULT IN PERSONAL INJURY AND/OR INJURY TO OTHERS AS WELL AS VEHICLE DAMAGE.**

EYE PROTECTION:

ALWAYS WEAR SAFETY GLASSES OR GOGGLES DURING THE INSTALLATION PROCESS TO AVOID PERSONAL INJURY.

MAXIMUM TOWING/CARRYING CAPACITY:

The Westin Receiver Hitches will have a visible tow rating label affixed directly on the product. User should never exceed the vehicle manufacturers maximum tow and weight rating regardless of the capacity of the hitch. **FAILURE TO FOLLOW THESE GUIDELINES WILL VOID THE WESTIN WARRANTY AND MAY RESULT IN PERSONAL INJURY AND/OR INJURY TO OTHERS AS WELL AS VEHICLE DAMAGE.**

When it comes to quality side steps and nerf bars, Westin is the brand you can depend on.