



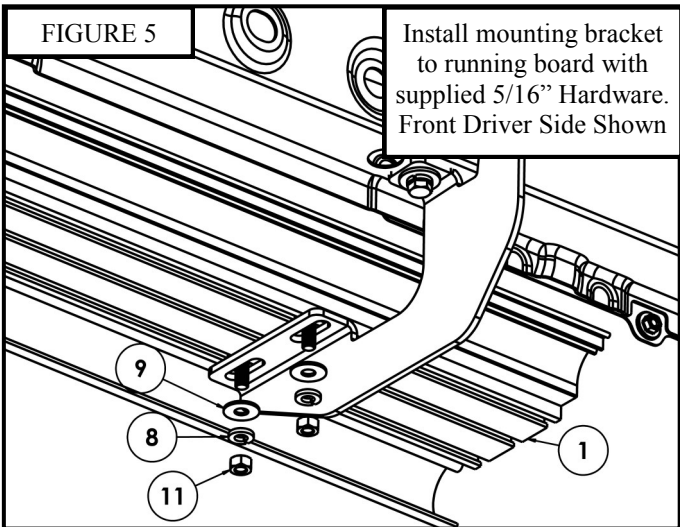
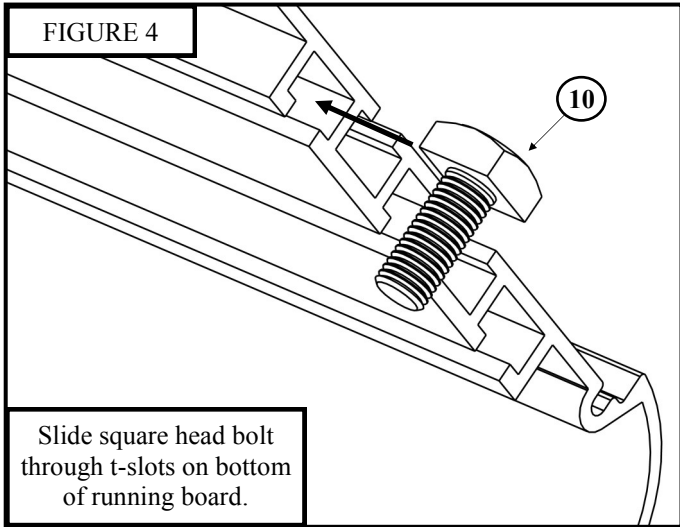
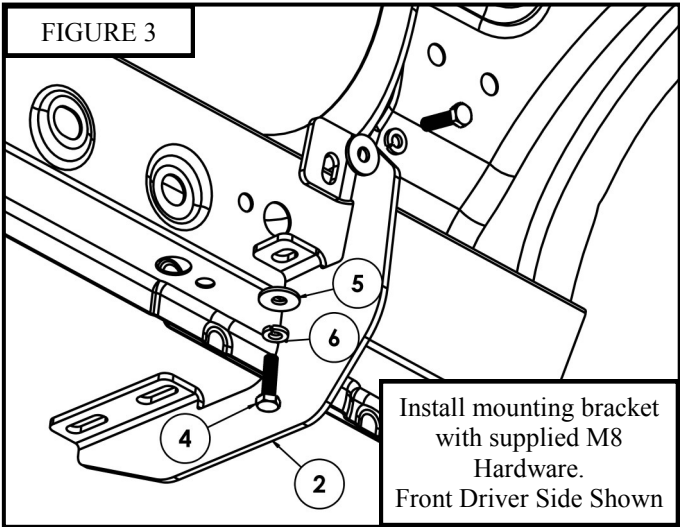
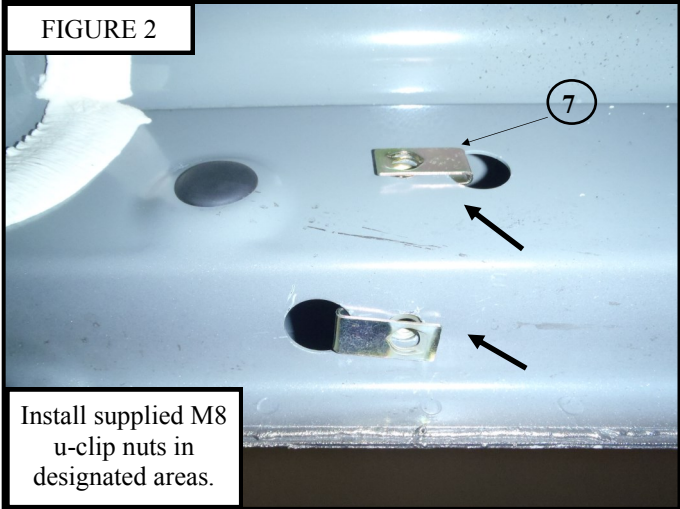
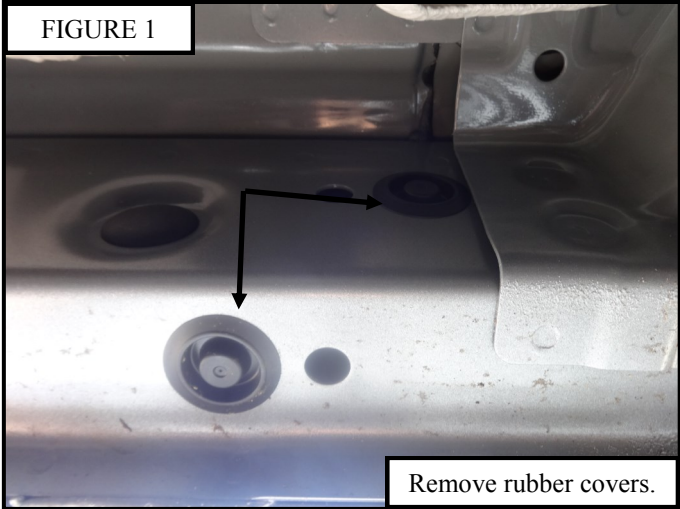
INSTALLATION INSTRUCTIONS

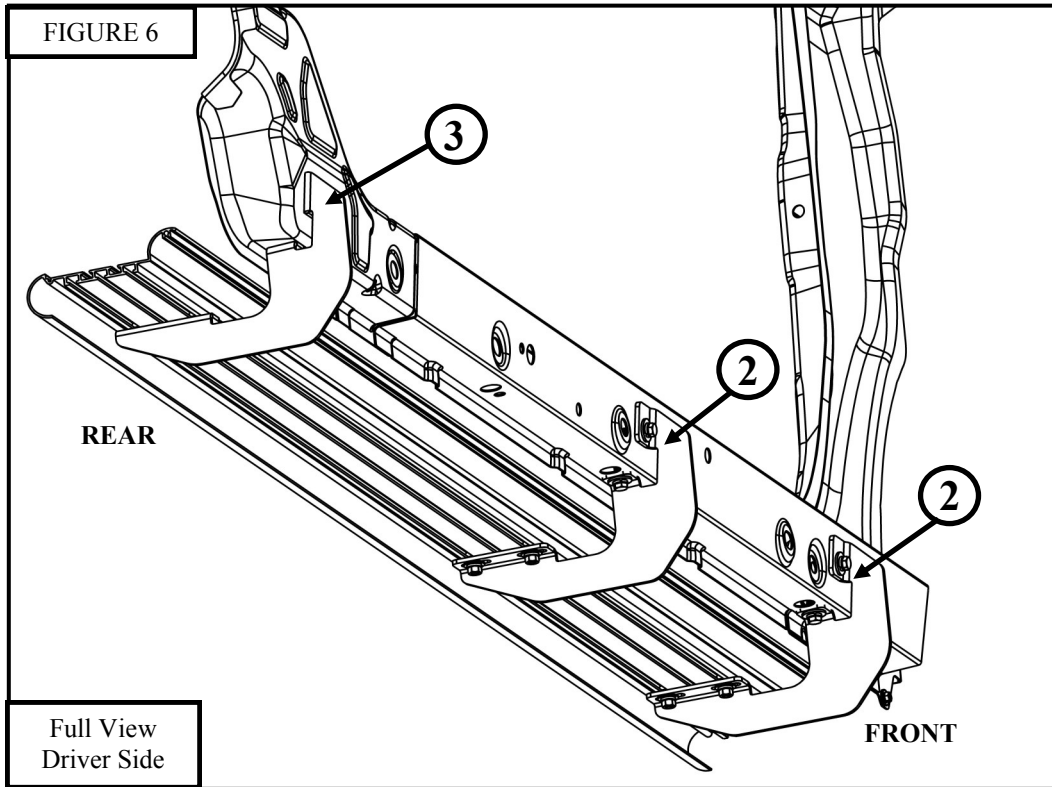
APPLICATION: MOUNT KIT #27-2205 / CHEVY COLORADO & GMC CANYON CREW CAB
APP PART # 27-6630, 27-6130, 27-6135, 27-0010, 27-0015

ITEM	QUANTITY	DESCRIPTION	TOOLS NEEDED
1	1	SURE GRIP RUNNING BOARD	RATCHET
2	3	MOUNTING BRACKET A	TORQUE WRENCH
3	3	MOUNTING BRACKET B	SOCKET EXT.
4	12	M8 HEX HEAD CAP SCREW (YELLOW ZINC)	13MM SOCKET
5	12	M8 FLAT WASHER 20MM (YELLOW ZINC)	13MM WRENCH
6	12	M8 SPLIT LOCK WASHER (YELLOW ZINC)	1/2" SOCKET
7	12	M8 U-NUT (YELLOW ZINC)	1/2" WRENCH
8	12	5/16" SPLIT LOCK WASHER (YELLOW ZINC)	
9	12	5/16" FLAT WASHER (YELLOW ZINC)	
10	12	5/16" SQUARE HEAD BOLT (YELLOW ZINC)	
11	12	5/16" HEX NUT (YELLOW ZINC)	

ANTI-SEIZE LUBRICANT MUST BE USED ON ALL STAINLESS STEEL FASTENERS TO PREVENT THREAD DAMAGE AND GALLING .

1. Remove contents from box, verify if all parts listed are present and undamaged. Carefully read and understand all instructions before attempting installation.
2. If vehicle has plastic covers, remove the designated covers from the rocker panel where mounts will be placed, see Figure 1.
3. Install M8 u-clip nuts in the holes where the plastic covers were removed, See Figure 2.
4. Loosely install mounting brackets to the previously install M8 u-clips with supplied M8 hardware, see Figure 3. (Note: The middle bracket will be closer to the front bracket then in comparison to the rear bracket, see Figure 6 for orientation and direction of brackets.)
5. Loosely install the running board to the previously installed mounting brackets with supplied 5/16" hardware, see Figure 5. (Note: Slide square head bolts through t-slots underneath running board, see Figure 4.)
6. Align and adjust as necessary then torque: M8 and 5/16" hardware to 15-18 ft-lbs.





CARE INSTRUCTIONS

- REGULAR WAXING IS RECOMMENDED. DO NOT USE ANY TYPE OF POLISH OR WAX THAT MAY CONTAIN ABRASIVES.
- STAINLESS STEEL PRODUCTS CAN BE CLEANED WITH MILD SOAP AND WATER. STAINLESS STEEL POLISH SHOULD BE USED TO POLISH SMALL SCRATCHES.
- GLOSS BLACK FINISHES SHOULD BE CLEANED WITH MILD SOAP AND WATER.