



SIGNATURE OF QUALITY

INSTALLATION INSTRUCTIONS

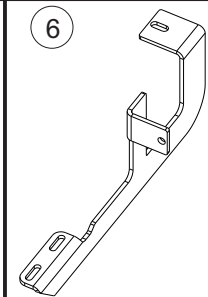
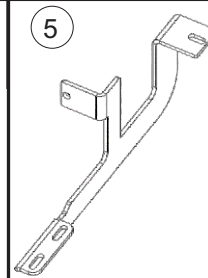
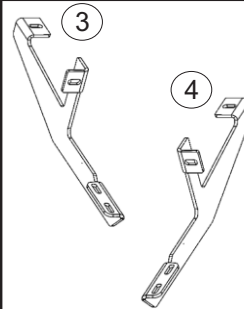
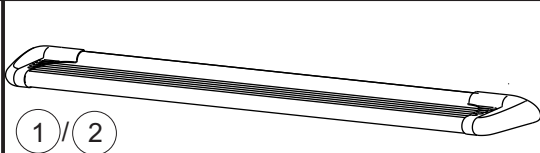
APPLICATION: 2007-12 HYUNDAI SANTA FE

AUTOMOTIVE PRODUCTS, INC.

MOUNT KIT
27-1845

STEP BOARD
ESTRIBOS
MARCHEPIED

27-6110
27-6115
27-6510



ITEM	QTY	CONTENTS	TOOLS
1,2	2	STEP BOARD, PASSENGER (1) AND DRIVER (2) (PURCHASED SEPARATELY)	9/16" SOCKET 1/2" SOCKET PHILLIPS SCREWDRIVER RATCHET TORQUE WRENCH
3,4	2	FRONT BRACKET, DRIVER (3) AND PASSENGER (4)	
5,6	2	REAR BRACKET, PASSENGER (5) AND DRIVER (6)	
7	8	3/8-16 BRIDGE WELD NUT	
8	8	3/8-16 X 1.25" HEX HEAD BOLT	
9	8	3/8" FLAT WASHER	
10	8	3/8" LOCK WASHER	
11	8	3/8-16 HEX NUT	
12	8	5/16-18 X .75" SQUARE HEAD BOLT	
13	8	5/16" FLAT WASHER	
14	8	5/16-18 LOCK NUT	
15	8	PLASTIC WASHER	

- STEP 1. Remove the contents from box and check for damage. Verify all parts are present. Read instructions completely before beginning. NOTE: Westin does not recommend the closure strip for this application.
- STEP 2. Remove rubber plugs from vehicle body. NOTE: rubber plugs may be hidden by the factory undercoating.
- STEP 3. Thread 3/8-16 x 1.25" hex head bolts through bridge weld nuts, insert into holes, and use plastic washers to hold in place. SEE FIGURES 1 AND 2.
- STEP 4. Attach driver side brackets to the previously assembled 3/8" bolt plate using four 3/8" flat washers, 3/8" lock washers, and 3/8-16 hex nuts as shown. SEE FIGURES 1 AND 2.

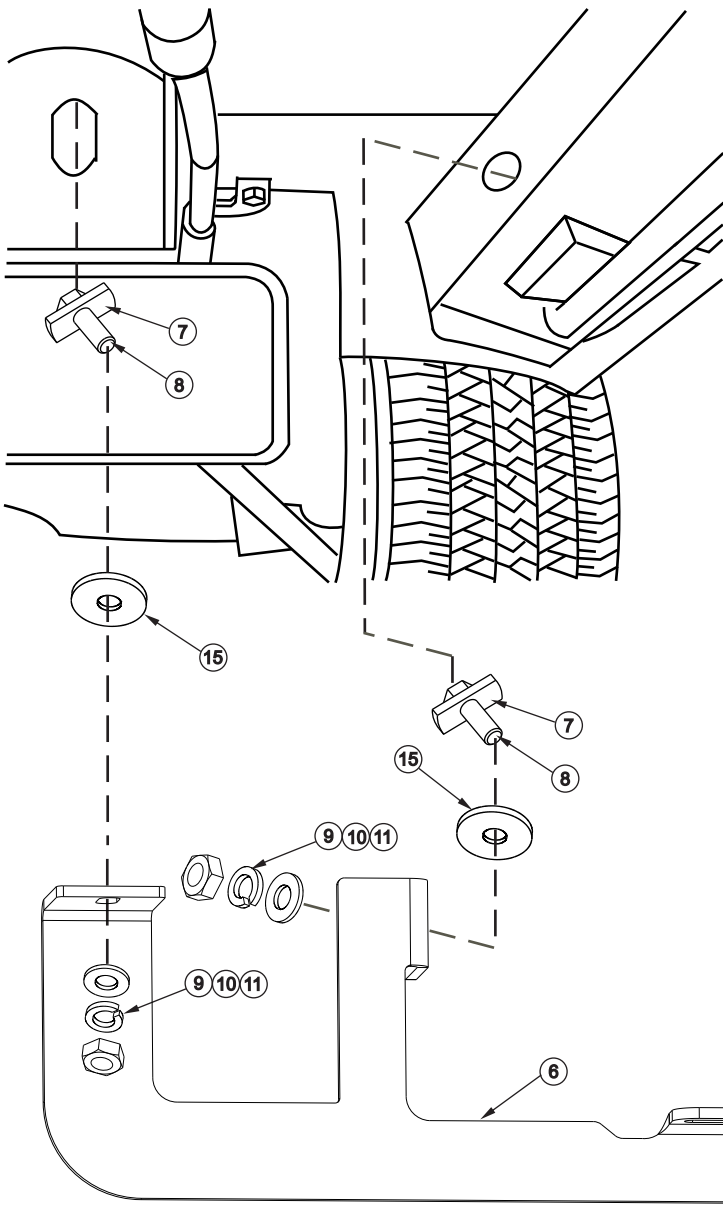


FIGURE 1 INSTALLATION OF REAR DRIVER SIDE SHOWN. PASSENGER REAR OPPOSITE

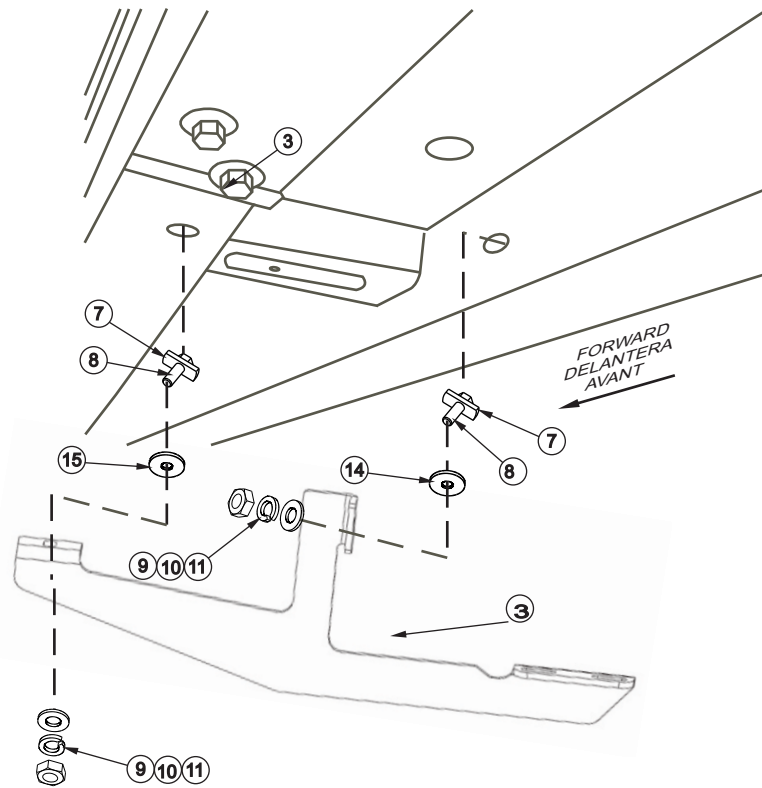


FIGURE 2 INSTALLATION OF FRONT DRIVER SIDE SHOWN. PASSENGER SIDE OPPOSITE.

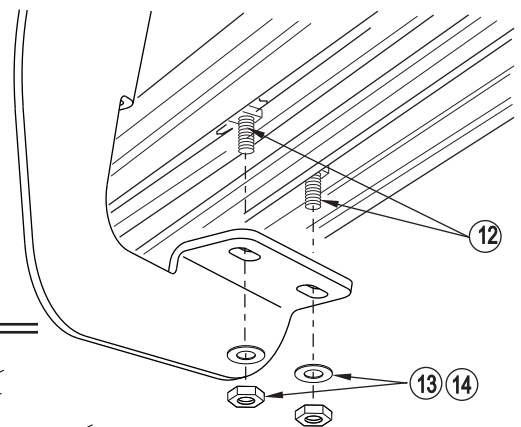


FIGURE 3

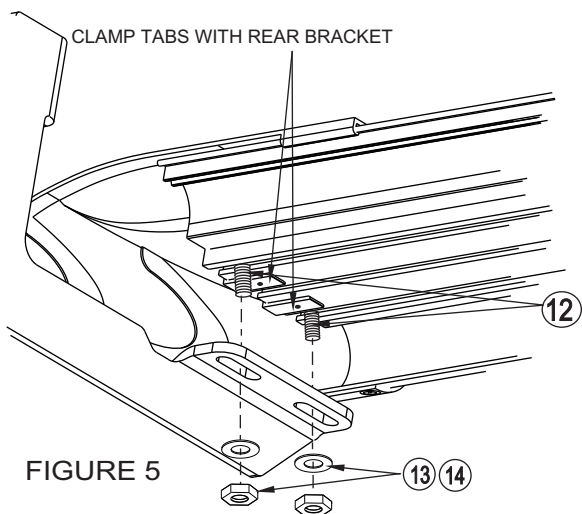


FIGURE 5

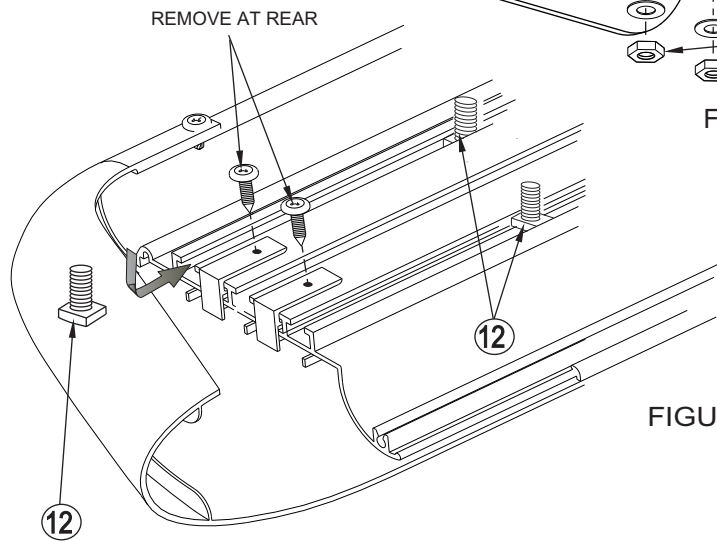


FIGURE 4