



INSTALLATION INSTRUCTIONS

APPLICATION: 2002-07 DODGE RAM 1500; 2003-07 RAM 2500/3500 QUAD CAB/REGULAR CAB
2008 DODGE RAM 4500/5500 QUAD CAB/REGULAR CAB

AUTOMOTIVE PRODUCTS, INC.

STEP BAR ASSEMBLIES				
25-2310	25-2315			
25-2320	25-2325			
26-2310	26-2315			
26-2320	26-2325			
ITEM	QTY	CONTENTS		TOOLS
1,2	2	STEP BAR, PASSENGER (1) AND DRIVER (2)		3/4" SOCKET 3/4" WRENCH 9/16" SOCKET 9/16" WRENCH 19MM SOCKET 18MM SOCKET RATCHET TORQUE WRENCH
3	2	FRONT BRACKET		
4	2	REAR BRACKET		
5	4	SUPPORT BRACE		
6	4	BOLT PLATE		
7	4	1/2-13 X 1.75" HEX HEAD BOLT		
8	8	1/2" FLAT WASHER		
9	8	1/2" LOCK WASHER		
10	8	3/8-16 X 1.25" HEX HEAD BOLT		
11	12	3/8" FLAT WASHER		
12	8	3/8" LOCK WASHER		
13	8	3/8-16 HEX NUT		
14	4	M12-1.75 X 120MM HEX HEAD BOLT		
15	4	PLASTIC WASHER		
16	4	SPACER WASHER		

- STEP 1. Remove the contents from box and check for damage. Verify all parts are present. Read instructions completely before beginning.
- STEP 2. Remove existing body mount bolts. Body mount bolts will not be used for step bar installation. **SEE FIGURE 3.**
- STEP 3. Install front and rear brackets as shown. Hand tighten. **SEE FIGURE 2 AND 3.**
- STEP 4. Attach plastic washer to bolt plate. Insert bolt plate as shown. **SEE FIGURE 1.**
- STEP 5. Attach support brace as shown. Hand tighten. Be sure bolt plate does not rotate out of hole by holding with small screwdriver until it is snug. **NOTE:** Rear brace not required on Regular Cab models. **SEE FIGURE 2 AND 3.**
- STEP 6. Attach step bar as shown. **NOTE:** The step pad is closer to the front bend on Regular Cabs and closer to the rear bend on Quad Cabs.
- STEP 7. Make sure step bar and brackets are properly aligned and tighten fasteners. Recommended torque values are 64 FT.LBS for M12 fasteners and 1/2" fasteners and 26 FT.LBS. for 3/8" fasteners.

FINISH PROTECTION

Westin products have a high quality finish that must be cared for like any other exposed finish on the vehicle. Protect the finish with a non-abrasive automotive wax, (e.g. Pure Carnauba) on a regular basis. The use of any soap, polish or wax that contains an abrasive is detrimental, as the compounds scratch the finish and open it to corrosion.

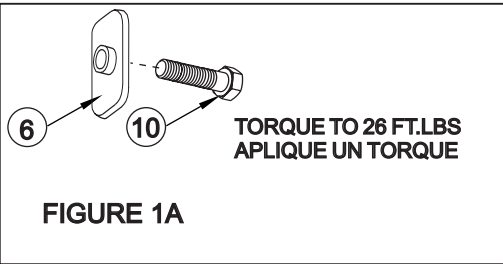


FIGURE 1A

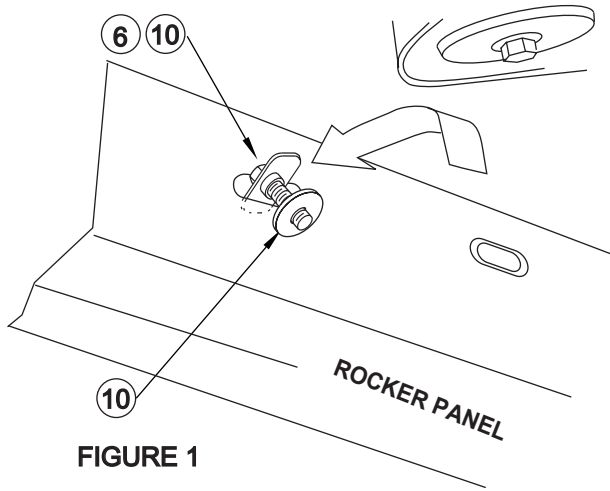


FIGURE 1

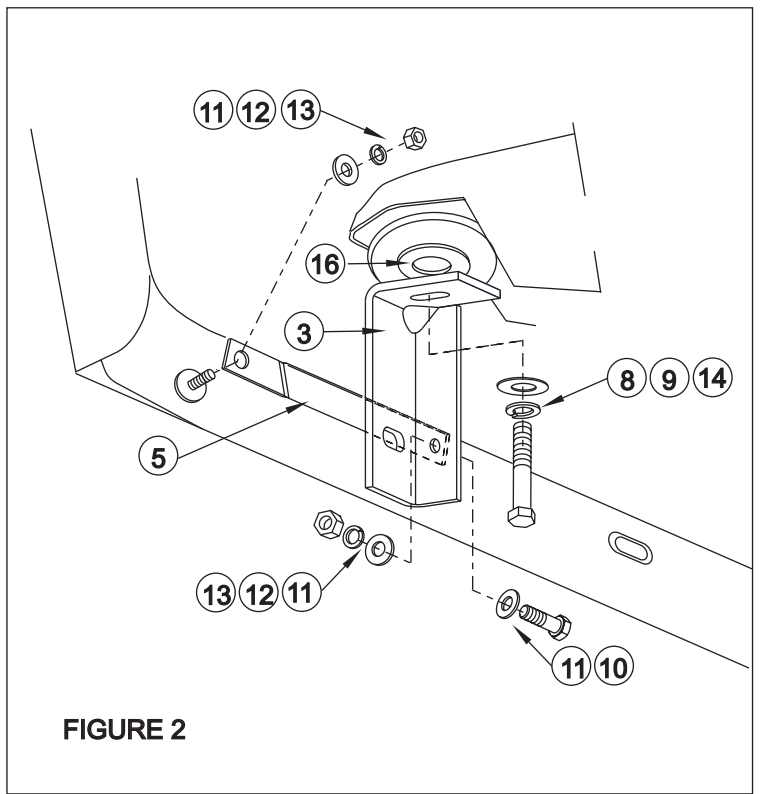


FIGURE 2

NOTE: REAR BRACE NOT REQUIRED
ON REGULAR CAB.

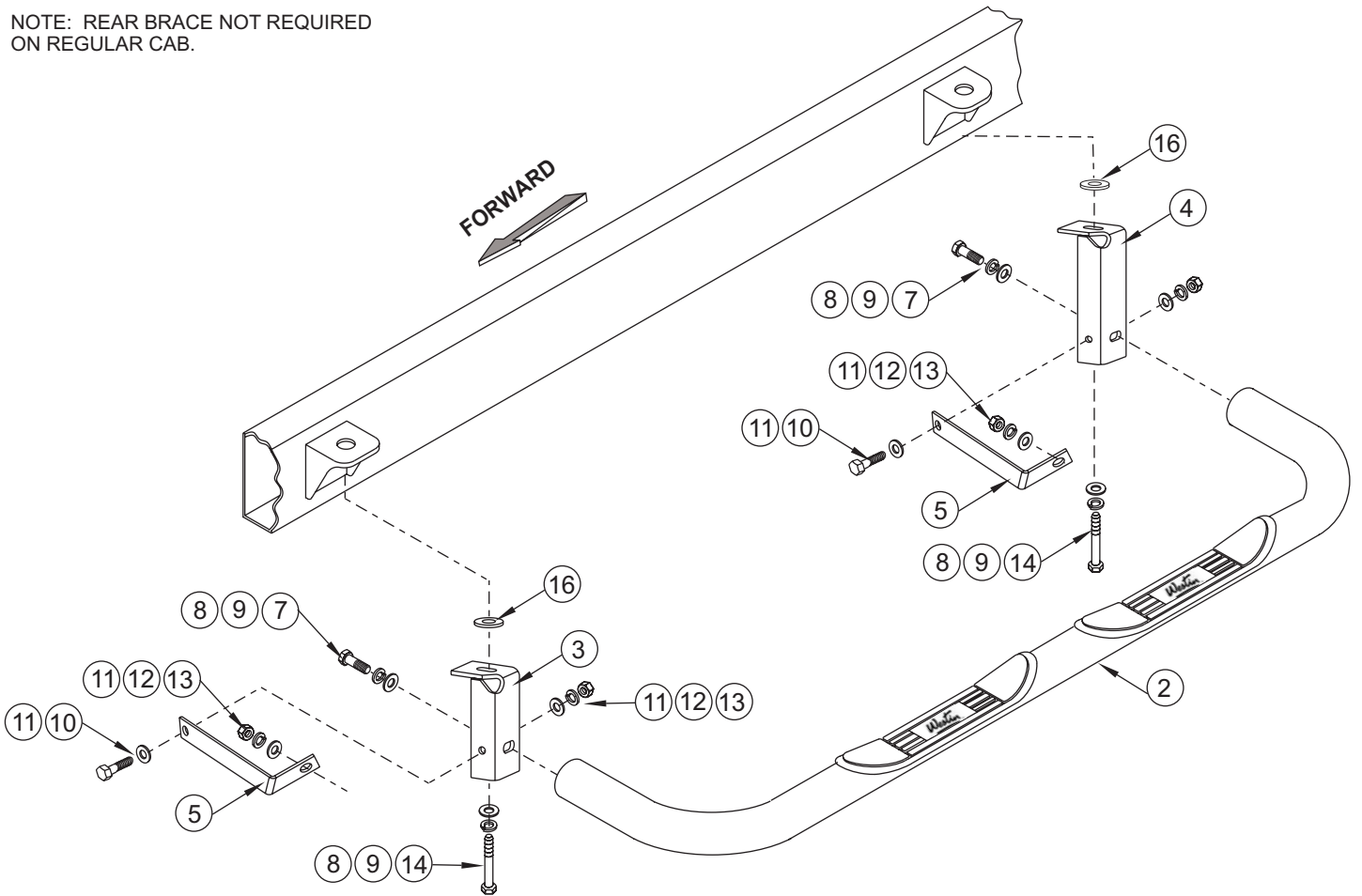


FIGURE 3

DRIVER SIDE SHOWN PASSENGER SIDE OPPOSITE