



SIGNATURE OF QUALITY

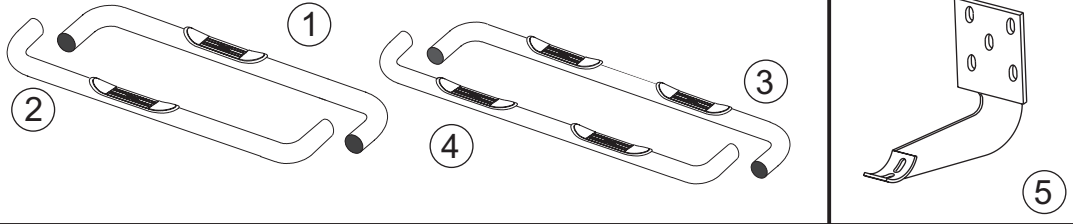
AUTOMOTIVE PRODUCTS, INC.

INSTALLATION INSTRUCTIONS

APPLICATION: 2001-06 FORD EXPLORER SPORT TRAC 2/4WD
2001-04 FORD EXPLORER SPORT 2DOOR 2/4WD

STEP BAR ASSEMBLIES

25-1890	25-1895
26-1890	26-1895
25-1920	25-1925
26-1920	

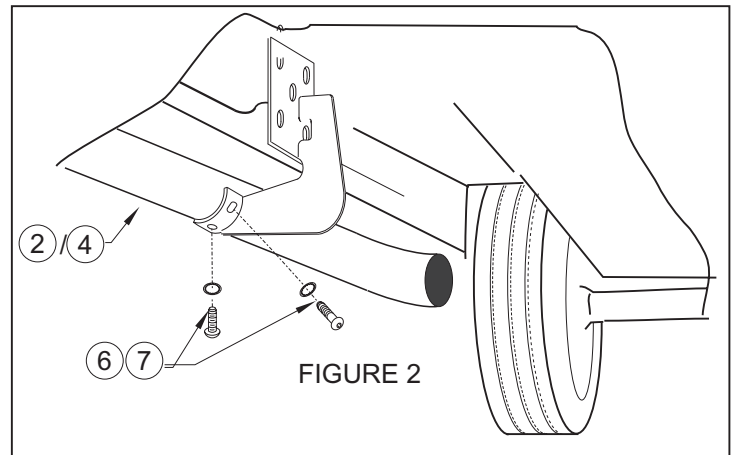
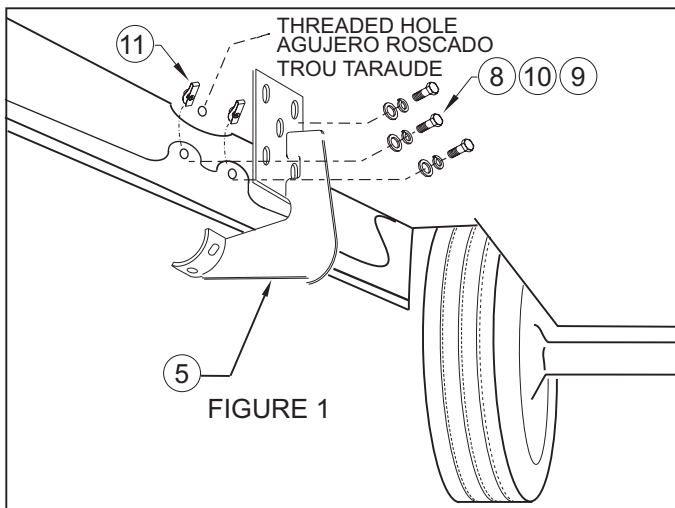
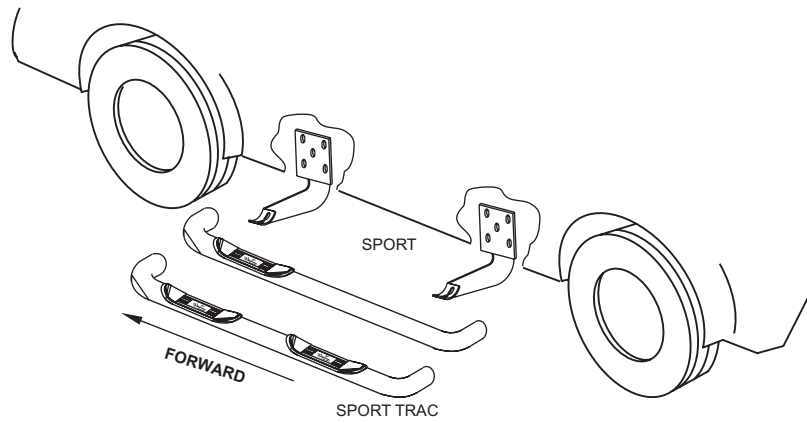


ITEM	QTY	CONTENTS	TOOLS
1,2	2	STEP BAR, PASSENGER (1) AND DRIVER (2) (EXPLORER SPORT)	7/32" HEX WRENCH 13MM SOCKET 13MM WRENCH RATCHET TORQUE WRENCH
3,4	2	STEP BAR, PASSENGER (3) AND DRIVER (4) (EXPLORER SPORT TRAC)	
5	4	BRACKET	
6	8	3/8-16 X 1.00" BUTTON HEAD BOLT	
7	8	3/8" INTERNAL TOOTH LOCK WASHER	
8	12	M8-1.25 X 30MM HEX HEAD BOLT	
9	12	8MM FLAT WASHER	
10	12	8MM LOCK WASHER	
11	8	M8-1.25 U-NUT	

- STEP 1.** Remove the contents from box and check for damage. Verify all parts are present. Read instructions completely before beginning.
- STEP 2.** On backside of rocker panel, attach u-nuts at the front and rear locations where the plastic is cut out as shown. Just above these locations, remove plug to expose threaded hole. This hole will align with one of the other three slots in bracket. **SEE FIGURE 1.**
- STEP 3.** Attach brackets using 8mm fasteners. Leave loose. **SEE FIGURE 1.**
- STEP 4.** Attach step bar to cradles using 3/8" fasteners. **SEE FIGURE 2.**
- STEP 5.** Make sure step bar and brackets are properly aligned with vehicle and tighten fasteners. Recommended torque values are 23 FT.LBS. for 8mm fasteners and 19 FT.LBS. for 3/8" fasteners.

FINISH PROTECTION

Westin products have a high quality finish that must be cared for like any other exposed finish on the vehicle. Protect the finish with a non-abrasive automotive wax, (e.g. Pure Carnauba) on a regular basis. The use of any soap, polish or wax that contains an abrasive is detrimental, as the compounds scratch the finish and open it to corrosion.



INSTALLATION VIEW OF DRIVER SIDE SHOWN, PASSENGER SIDE OPPOSITE