



# INSTALLATION INSTRUCTIONS

**APPLICATION:** 1999-UP SILVERADO/SIERRA CLASSIC 1500/2500LD REGULAR CAB  
2001-UP SILVERADO/SIERRA 2500HD/3500 REGULAR CAB

AUTOMOTIVE PRODUCTS, INC.

<p>STEP BAR ASSEMBLIES</p> <p>25-1400 25-1405 26-1400 26-1405</p>	<p>REG CAB CABINA</p>			
---	---------------------------	--	--	--

ITEM	QTY	CONTENTS	TOOLS
1,2	2	STEP BAR, PASSENGER (1) AND DRIVER (2)	3/4" SOCKET 3/4" WRENCH 18MM SOCKET 21MM SOCKET TORQUE WRENCH RATCHET
3	2	FRONT MOUNTING BRACKET	
4	2	REAR MOUNTING BRACKET	
5	4	1/2-13 X 1.75" HEX HEAD BOLT	
6	4	M12-1.75 X 120MM HEX HEAD BOLT	
7	8	1/2" LOCK WASHER	
8	8	1/2" FLAT WASHER	
9	2	SPACER TUBE	

**STEP 1.** Remove contents from box and check for damage. Verify all parts are present. Read instructions completely before beginning.

**STEP 2.** Remove existing body mount bolts from underside of cab. **NOTE:** For 06'-UP vehicles, use existing factory body mount bolts. Bolts and washers supplied in kit are not required.

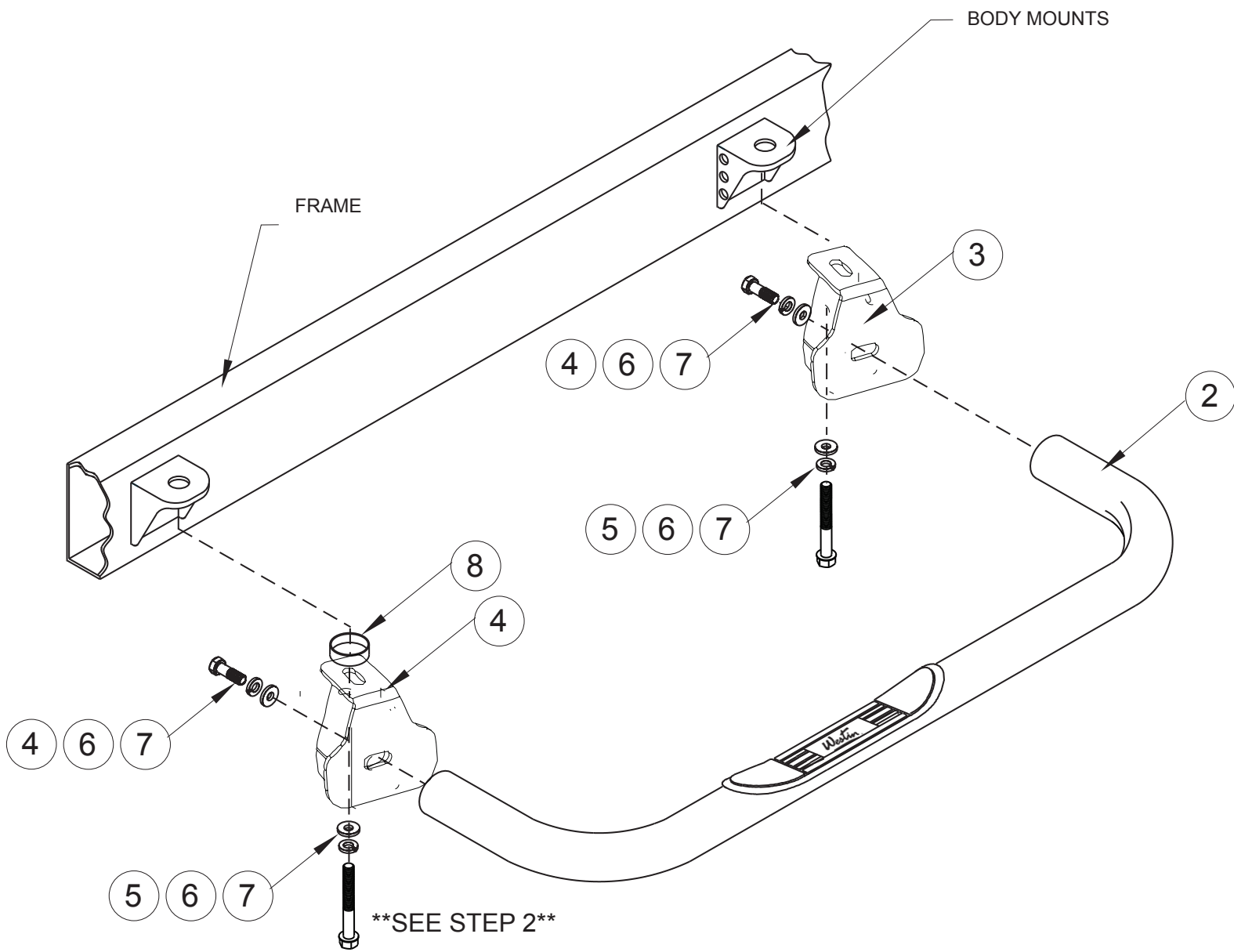
**STEP 3.** Install mount brackets and spacer tubes as shown, leave loose until all bolts have been installed. **SEE FIGURE 1.**

**STEP 4.** Attach step bar to brackets. Make sure step bar and brackets are properly aligned and tighten fasteners.

Recommended torque values are 64 Ft.Lbs. for 1/2" fasteners, 78.9 Ft.Lbs. for 12MM fasteners and 74 Ft.Lbs. for

### FINISH PROTECTION

Westin products have a high quality finish that must be cared for like any other exposed finish on the vehicle. Protect the finish with a non-abrasive automotive wax, (e.g. Pure Carnauba) on a regular basis. The use of any soap, polish or wax that contains an abrasive is detrimental, as the compounds scratch the finish and open it to corrosion.



**FIGURE 1** INSTALLATION VIEW OF DRIVER SIDE SHOWN, PASSENGER SIDE OPPOSITE