



# INSTALLATION INSTRUCTIONS

**APPLICATION:** 1994-01 DODGE RAM 1500 REGULAR CAB/EXT CAB  
 1994-02 DODGE RAM 2500/3500 REGULAR/EXT CAB  
 1998-01 DODGE RAM 1500 QUAD CAB

AUTOMOTIVE PRODUCTS, INC.

<b>Step Bar Assemblies</b>  25-0650 25-0655 25-0680 25-0685 25-1240 25-1245 26-0650 26-0655 26-0680 26-0685 26-1240 26-1245						
<b>ITEM</b>	<b>QTY</b>	<b>CONTENTS</b>			<b>TOOLS</b>	
1	2	STEP BAR, PASSENGER AND DRIVER			18mm SOCKET	
2	2	FRONT BRACKET			19mm SOCKET	
3	2	REAR BRACKET			3/4" SOCKET	
4	2	FRONT STRAP (7 1/2")			9/16" SOCKET	
5	2	REAR STRAP (9 1/2")			7/16" SOCKET	
6	4	1/2-13 X 1.75" HEX HEAD BOLT			RATCHET	
7	8	1/2" FLAT WASHER			TORQUE WRENCH	
8	8	1/2" LOCK WASHER			ELECTRIC DRILL WITH SOCKET	
9	4	M12-1.75 X 120MM HEX HEAD BOLT			ADAPTER	
10	4	1/4-20 X 1.0" SELF DRILLING BOLT				
11	4	3/8-16 X 1.0" SELF THREADING BOLT				

STEP 1. Remove contents from box and check for damage. Verify all parts are present. Read instructions completely before beginning.

STEP 2. Remove existing body mount bolts from underside of cab.

STEP 3. Install front and rear brackets to step bar as shown. Hand tighten. **SEE FIGURE 1.**

STEP 4. Attach step bar to vehicle as shown. Make sure step bar and brackets are properly aligned. Tighten and torque M12 hardware to 55 ft-lbs. and 1/2" hardware to 65 ft-lbs. **SEE FIGURE 1.**

STEP 5. Attach front and rear straps to step bar as shown. Align vertically. Tighten and torque 3/8" bolts to 20 ft-lbs. **SEE FIGURE 1.**

STEP 6. Attach front and rear straps to underside of vehicle as shown. Tighten and torque 1/4" bolts to 50 in-lbs. **SEE FIGURE 1.**

### FINISH PROTECTION

Westin products have a high quality finish that must be cared for like any other exposed finish on the vehicle. Protect the finish with a non-abrasive automotive wax, (e.g. Pure Carnauba) on a regular basis. The use of any soap, polish or wax that contains an abrasive is detrimental, as the compounds scratch the finish and open it to corrosion.

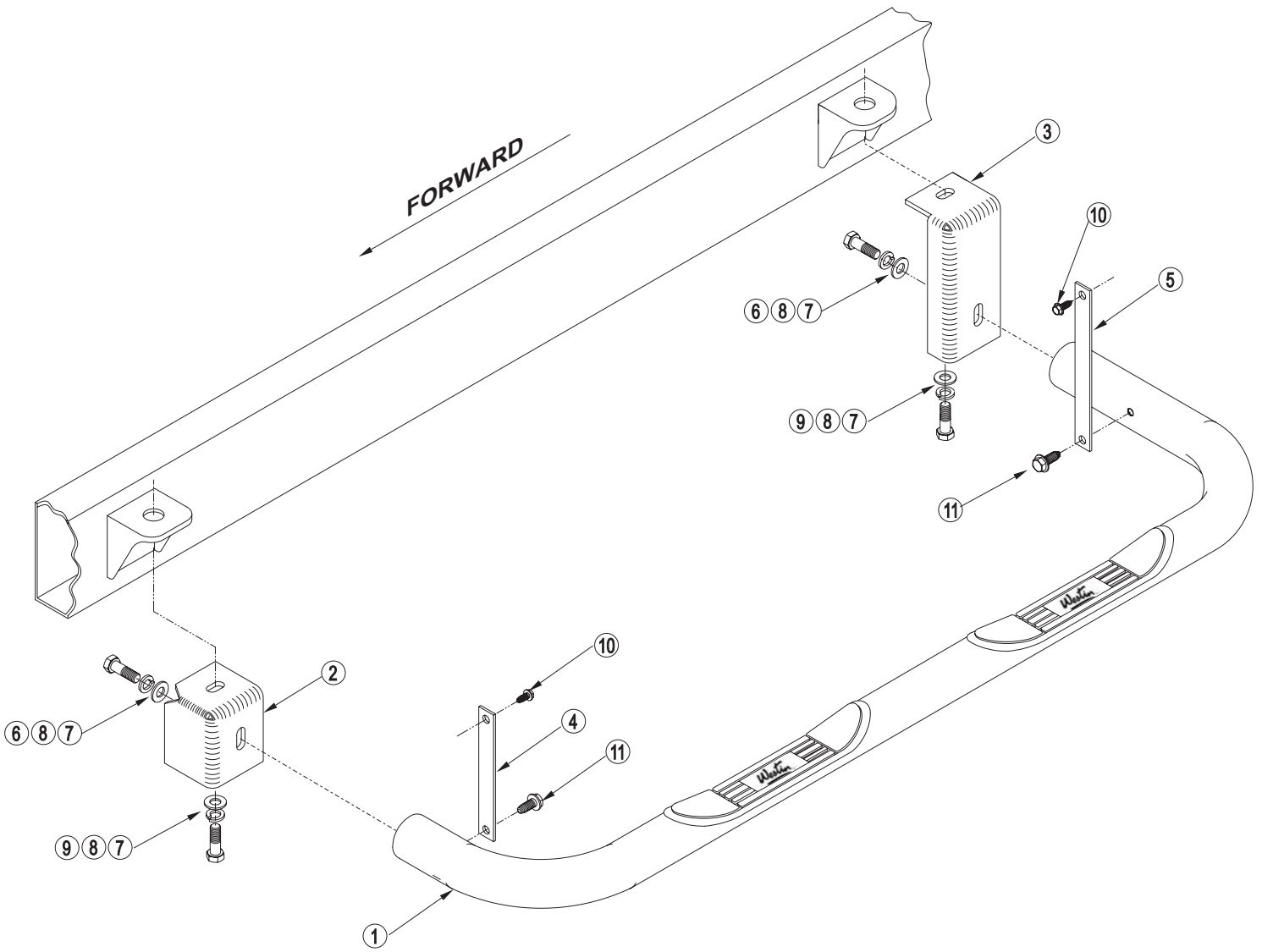


FIGURE 1  
FIGURA 2

DRIVER SIDE EXTENDED CAB SHOWN