



SIGNATURE OF QUALITY

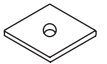
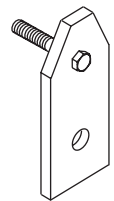
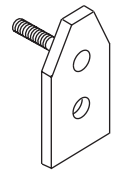
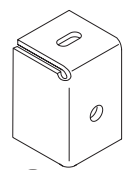
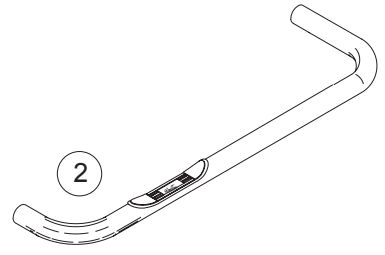
AUTOMOTIVE PRODUCTS, INC.

INSTALLATION INSTRUCTIONS

APPLICATION: 1992-99 GMC SUBURBAN 3/4 TON 4X2
1992-99 GMC SUBURBAN 1/2 TON 4X4
1992-99 GMC SUBURBAN 3/4 TON 4X2

STEP BAR ASSEMBLIES

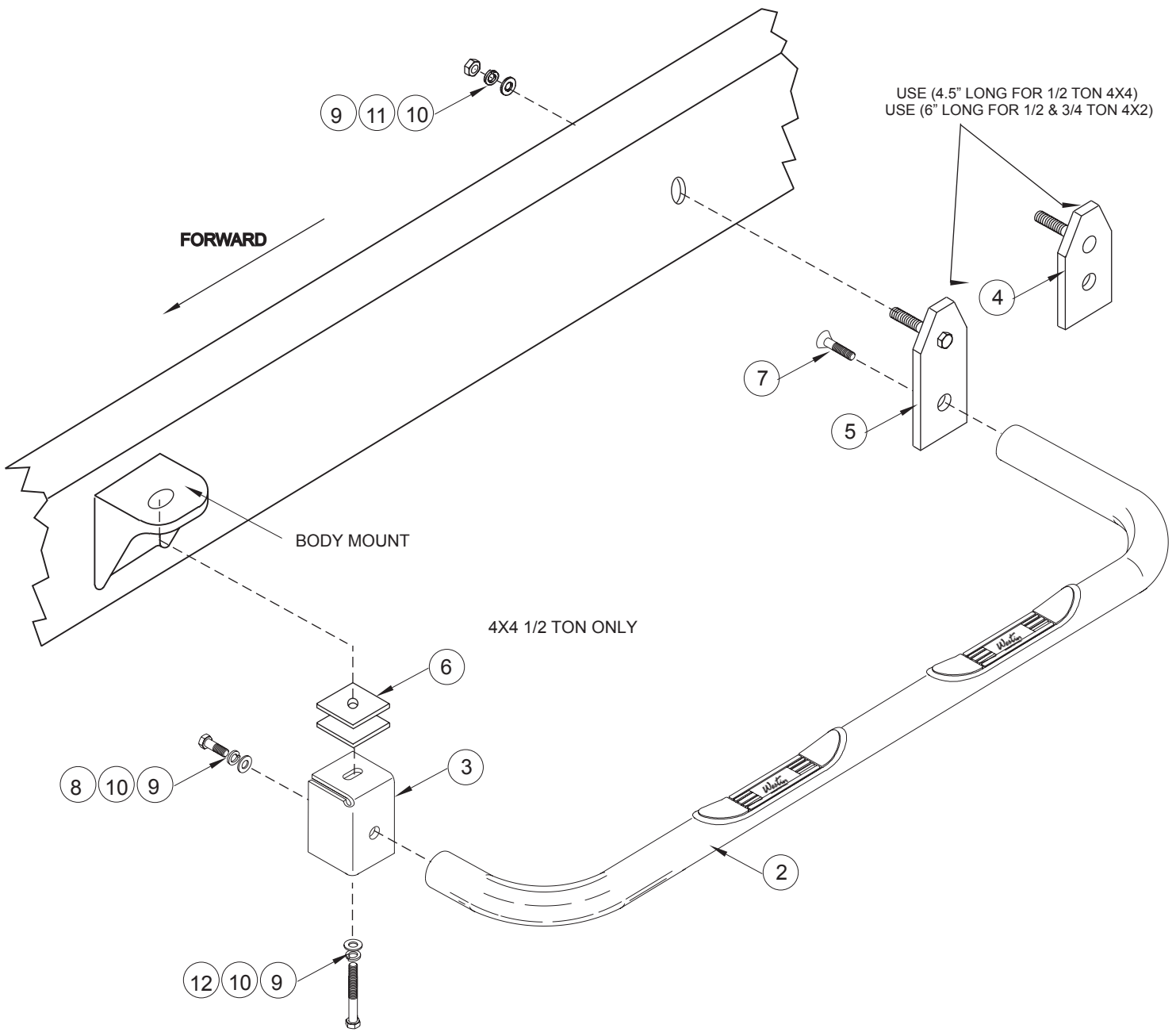
- 25-0640
- 25-0645
- 26-0640
- 26-0645



ITEM		QTY	CONTENTS	TOOLS
1,2	2		STEP BAR, PASSENGER (1) AND DRIVER (2)	3/4" SOCKET 3/4" WRENCH 5/16" ALLEN WRENCH 17MM SOCKET 17MM WRENCH RATCHET TORQUE WRENCH
3	2		FRONT BRACKET	
4	2		REAR MOUNT PLATE 1/2TON 4X4	
5	2		REAR MOUNT PLATE 1/2 & 3/4 TON 4X2	
6	4		SPACER PLATE	
7	2		1/2-13 X 2.00" FLAT HEAD BOLT	
8	2		1/2-13 X 1.75" HEX HEAD BOLT	
9	6		1/2" FLAT WASHER	
10	6		1/2" LOCK WASHER	
11	2		1/2-13 HEX NUT	
12	2		M12-1.75 X 120MM HEX HEAD BOLT	

- STEP 1. Remove the contents from box and check for damage. Verify all parts are present. Read instructions completely before beginning.
- STEP 2. Install brackets to step bars using 1/2" fasteners at the correct location for your vehicle.
- STEP 3. Remove body mount bolts from body mounts located under cab of vehicle. Body mount bolts will not be used for step bar installation. Position step bar to front body mounts and install rear mounting bolts through slot in frame. Install front brackets to body mount using metric bolts.
NOTE: On 1/2 ton 4x4 models only, place two spacer plates between front bracket and body mount. Install rear mount plate using nuts and washers as shown.
- STEP 4. Make sure step bar is properly aligned with vehicle. Torque all fasteners to 65 FT. LBS.

FINISH PROTECTION
 Westin products have a high quality finish that must be cared for like any other exposed finish on the vehicle. Protect the finish with a non-abrasive automotive wax, (e.g. Pure Carnauba) on a regular basis. The use of any soap, polish or wax that contains an abrasive is detrimental, as the compounds scratch the finish and open it to corrosion.



INSTALLATION VIEW OF DRIVER SIDE SHOWN, PASSENGER SIDE OPPOSITE