



# INSTALLATION INSTRUCTIONS

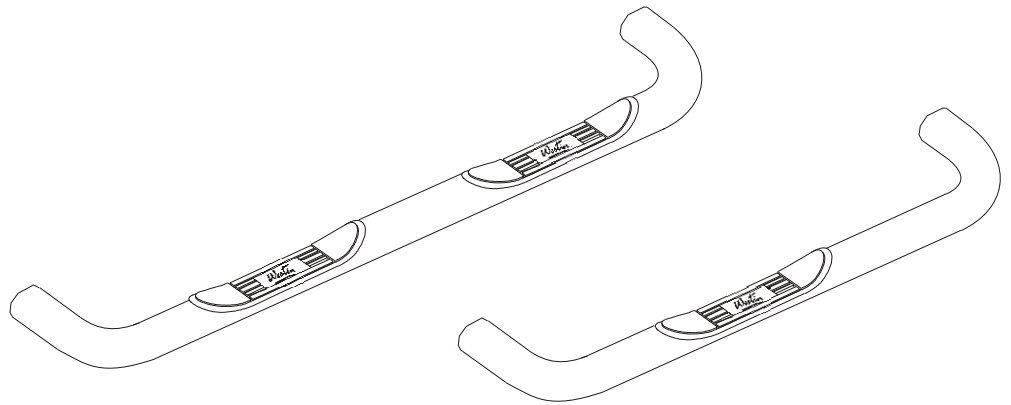
APPLICATION: 1988-99 GM C/K SERIES PICKUP EXT. CAB  
1992-00 GM C/K SERIES PICKUP CREW CAB

1997-99 GM C/K SERIES PICK-UP 3 DOOR  
1995-99 CHEVY TAHOE 2 DOOR  
1988-99 GM C/K SERIES PICK-UP REG. CAB  
1992-94 CHEVY BLAZER FULLSIZE 2 DOOR  
1992-99 GMC YUKON 2 DOOR

## AUTOMOTIVE PRODUCTS, INC.

### STEP BAR ASSEMBLIES

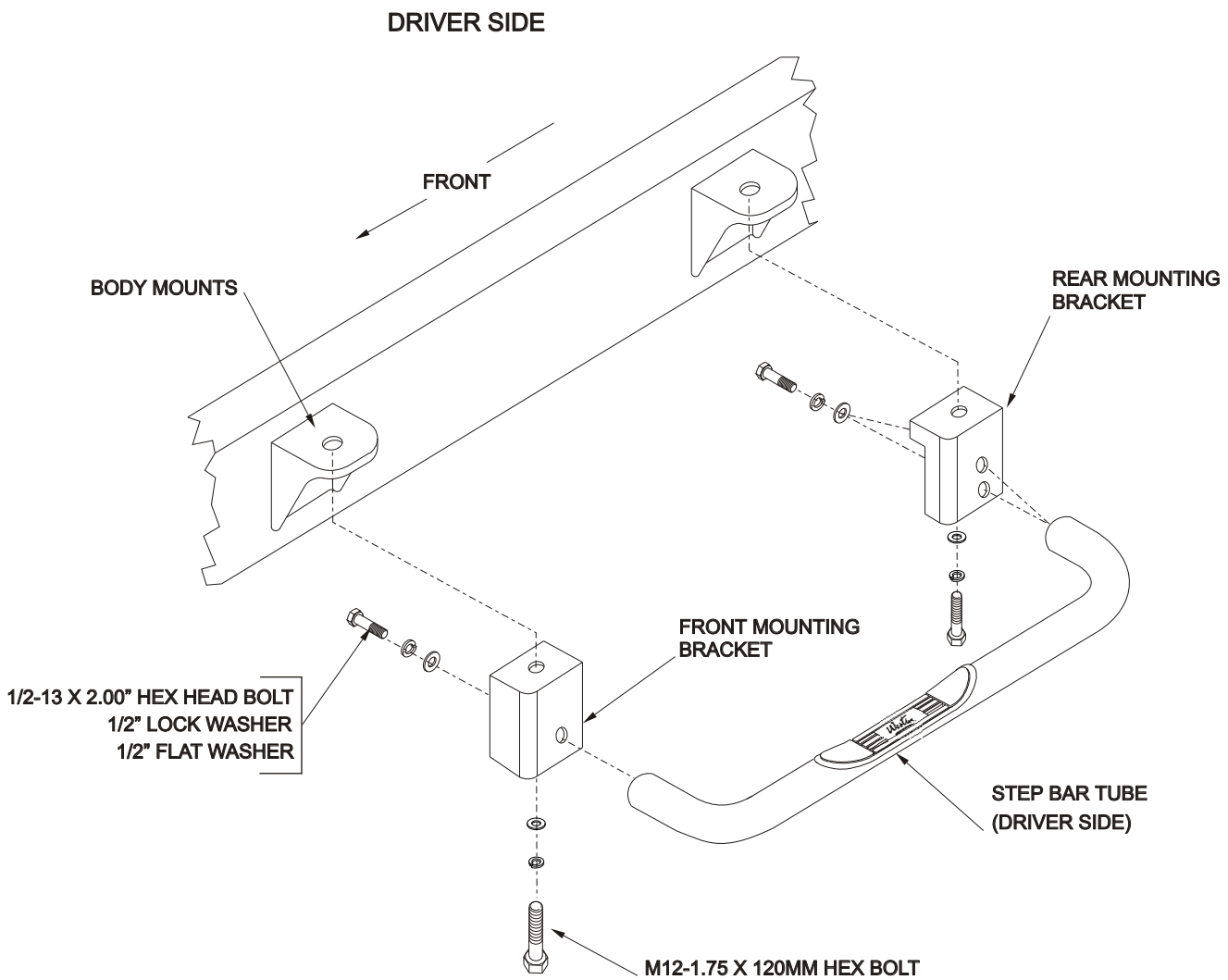
<b>25-0500</b>	<b>25-0505</b>
<b>25-0630</b>	<b>25-0635</b>
<b>25-0850</b>	<b>25-0855</b>
<b>25-0885</b>	<b>25-0890</b>
<b>26-0500</b>	<b>26-0505</b>
<b>26-0630</b>	<b>26-0635</b>
<b>26-0885</b>	<b>26-0890</b>



QTY	PARTS KIT CONTENTS DESCRIPTION	TOOLS REQUIRED
1	STEP BAR - DRIVER SIDE	15MM SOCKET
1	STEP BAR - PASSENGER SIDE	18MM SOCKET
2	FRONT MOUNT BRACKET	3/4" SOCKET
2	REAR MOUNT BRACKET	3/4" COMBINATION WRENCH
4	1/2 -13 X 2.00" HEX HEAD BOLT	TORQUE WRENCH
4	M12 - 1.75 X 120 MM LG. HEX HEAD BOLT	RATCHET
8	1/2" LOCK WASHER, ZINC PLATED	
8	1/2" FLAT WASHER, ZINC PLATED	

- STEP 1. Remove the contents from the box and check for any damage. Verify all parts against the parts list.
- STEP 2. Read and understand instructions completely before beginning installation.
- STEP 3. Bolt mount brackets to vehicle body mounts using metric bolts provided in parts kit. **See figure 1.**
- STEP 4. Position step bar up to the mount brackets and fasten with the 1/2" bolts and washers provided in the parts kit. Secure rear leg of step bar to correct hole location for your vehicle. Tube should not touch vehicle body. **See figure 1.**
- STEP 5. Check to be sure Step Bar is properly aligned with vehicle. Tighten and torque all mounting bracket bolts to 55 FT. LBS.

FIGURE 1



ASSEMBLY AND INSTALLATION VIEW OF DRIVER SIDE - PASSENGER SIDE OPPOSITE