



SIGNATURE OF QUALITY

AUTOMOTIVE PRODUCTS, INC.

INSTALLATION INSTRUCTIONS

APPLICATION: 1997-2007 FORD EXPEDITION; 2007 FORD EXPEDITION EL

STEP BAR ASSEMBLIES 23-0925 23-0930				
ITEM	QTY	CONTENTS	TOOLS	
1,2	2	STEP BAR, PASSENGER (1) AND DRIVER (2)	12MM SOCKET	
3,4	2	FRONT BRACKET, PASSENGER (3) AND DRIVER (4)	3/4" WRENCH	
5,6	2	REAR BRACKET, PASSENGER (5) AND DRIVER (6)	3/4" SOCKET	
7	4	1/2-13 X 1.75" HEX HEAD BOLT	13MM SOCKET	
8	4	1/2" FLAT WASHER	13MM WRENCH	
9	4	1/2" LOCK WASHER	RATCHET	
10	8	M8 HEX HEAD BOLT	TORQUE WRENCH	
11	16	M8 FLAT WASHER		
12	8	M8 LOCK WASHER		
13	8	M8 HEX NUT		
14	4	M8 SELF THREADING, FLANGE HEAD BOLT -		

STEP 1. Remove the contents from box and check for damage. Verify all parts are present. Read instructions completely before beginning.

STEP 2. Determine front and rear brackets. The front brackets have seven slots. SEE FIGURE 2.

STEP 3. Remove black tape over two holes on inside face of rocker panel. Attach front brackets with downward sloping end towards front using M8 fasteners as shown. Place bolts through holes as shown. SEE FIGURE 2. Leave loose. NOTE: 2003-UP models use hole pattern towards back end of bracket. 2007-UP Expedition EL models use hole pattern toward front end of bracket. SEE FIGURE 2.

STEP 4. Attach rear brackets with downward sloping end towards rear using M8 fasteners as shown. Place bolts through holes as shown. SEE FIGURE 2. Leave loose.

STEP 5. 1997-2002 models: Install self tapping bolts with 12MM socket into holes previously covered by factory tape. NOTE: Do not use air tool on this fastener.

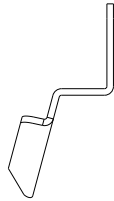
2003-UP models: Install self tapping bolts with 12MM socket into threaded holes in the rocker panel.

STEP 6. Attach step bar to brackets using 1/2" fasteners as shown. Hand tighten. NOTE: The step pad closer to the bend goes to the rear of the vehicle on the Expedition. The step pad closer to the bend goes to the front of the vehicle on the Expedition EL.

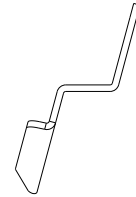
STEP 7. Make sure step bar and brackets are properly aligned with vehicle and tighten fasteners. Recommended torque values are 64 Ft. Lbs. for 1/2" fasteners, and 15 FT.LBS. for 8mm fasteners.

FINISH PROTECTION

Westin products have a high quality finish that must be cared for like any other exposed finish on the vehicle. Protect the finish with a non-abrasive automotive wax, (e.g. Pure Carnuba) on a regular basis. The use of any soap, polish or wax that contains an abrasive is detrimental, as the compounds scratch the finish and open it to corrosion.



FRONT BRACKET CROSS SECTION



REAR BRACKET CROSS SECTION

FIGURE 1

NOTE: 2003-2007 MODELS USE THESE SLOTS EXCLUDING EL MODEL

BLACK TAPE COVERS HOLES

ROCKER PANEL

FORWARD

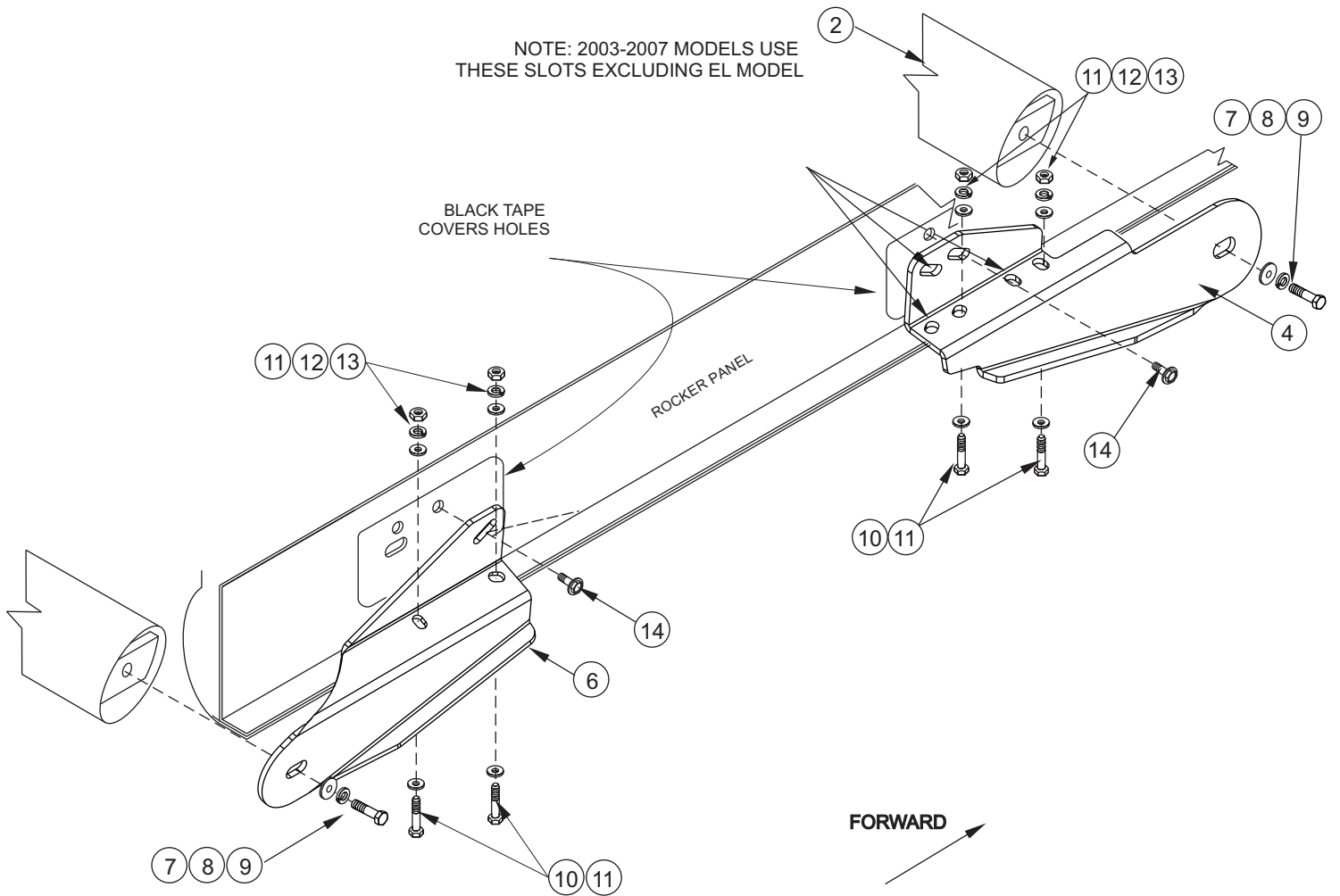


FIGURE 2 INSTALLATION VIEW OF DRIVER SIDE SHOWN, PASSENGER SIDE OPPOSITE