



SIGNATURE OF QUALITY

INSTALLATION INSTRUCTIONS

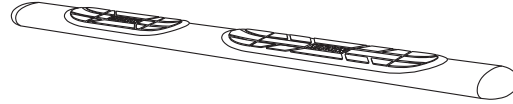
APPLICATION: 2003-08 HONDA PILOT

AUTOMOTIVE PRODUCTS, INC.

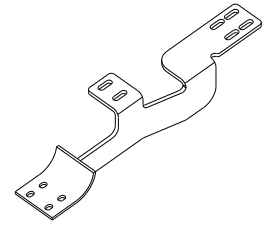
MOUNT KIT
22-1205

CHROME
22-0050, 22-5050

BLACK
22-0055, 22-5055



1



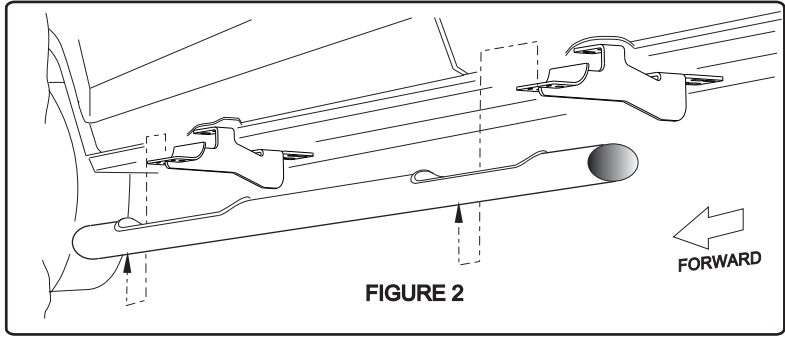
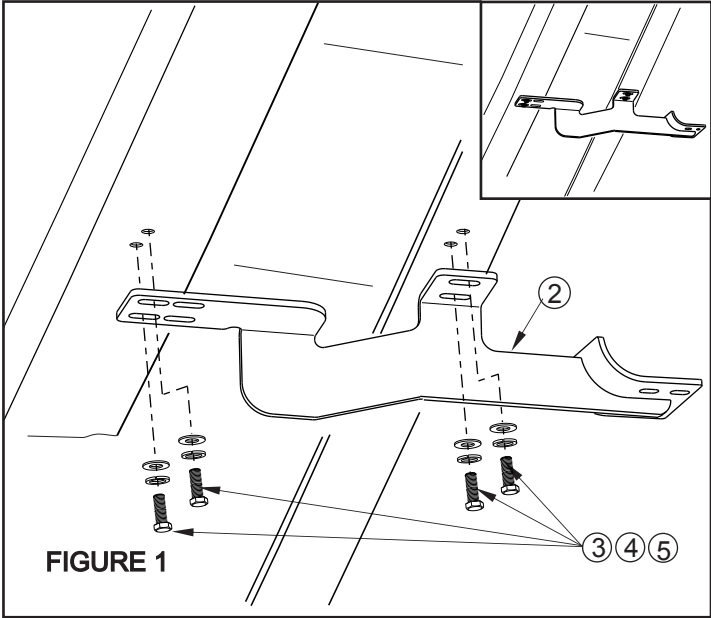
2

ITEM	QTY	CONTENTS	TOOLS
1	2	STEP BAR (PURCHASED SEPARATELY)	7/16" SOCKET 13MM SOCKET RATCHET TORQUE WRENCH
2	4	BRACKET	
3	16	M8-1.25 x 25MMHEX HEAD BOLT	
4	16	5/16" FLAT WASHER	
5	16	5/16" LOCK WASHER	
6	4	M6 BOLT PLATES (INCLUDED WITH STEP TUBES)	
7	16	M6 FLAT WASHERS (INCLUDED WITH STEP TUBES)	
8	16	M6 LOCK NUTS (INCLUDED WITH STEP TUBES)	

- STEP 1. Remove contents from box and check for damage. Verify all parts are present. Read instructions completely before beginning.
- STEP 2. Install brackets as shown. Hand tighten. **SEE FIGURES 1 AND 2.**
- STEP 3. To install oval step tubes, use mounting hardware packaged with step tubes. Insert M6 bolt plates into the oval tube as shown . Place bolts through the corresponding mount holes into the brackets. Attach with M6 flat washers and M6 lock nuts. **SEE FIGURES 3,4,5**
- STEP 4. Make sure step bar and brackets are properly aligned with vehicle and tighten fasteners. Recommended torque

FINISH PROTECTION

Westin products have a high quality finish that must be cared for like any other exposed finish on the vehicle. Protect the finish with a non-abrasive automotive wax, (e.g. Pure Carnauba) on a regular basis. The use of any soap, polish or wax that contains an abrasive is detrimental, as the compounds scratch the finish and open it



DRIVER SIDE SHOWN PASSENGER SIDE OPPOSITE

