

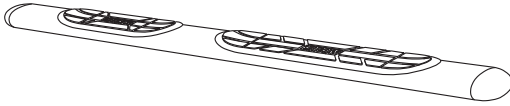
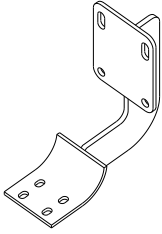


SIGNATURE OF QUALITY

AUTOMOTIVE PRODUCTS, INC.

INSTALLATION INSTRUCTIONS

APPLICATION: 1999-13 FORD F-250/350/450/550 SUPER DUTY SUPER CAB AND CREW CAB

<p>MOUNT KIT 22-1035 CHROME 22-5000, 22-5020, 22-5040 22-6000, 22-6020, 22-6040 BLACK 22-5005, 22-5025, 22-5045 22-6005, 22-6025, 22-6045</p>	 <p>①</p>	 <p>②</p>
-------------------------------------------------------------------------------------------------------------------------------------------------------------------------------------------------------------------------------------	---------------------------------------------------------------------------------------------	----------------------------------------------------------------------------------------------

ITEM	QTY	CONTENTS	TOOLS
1	2	STEP BAR (PURCHASED SEPARATELY)	9/16" SOCKET 10MM SOCKET RATCHET TORQUE WRENCH
2	4	MOUNT BRACKET	
3	12	5/16-18 X 1.25" HEX HEAD BOLT	
4	20	5/16" FLAT WASHER	
5	12	5/16" LOCK WASHER	
6	8	5/16-18" HEX NUT	
7	4	EXTRUDED U-NUT	
8	4	M6 BOLT PLATE	
9	16	M6 FLAT WASHER	
10	16	M6 NYLOCK NUT	

- STEP 1. Remove contents from box and check for damage. Verify all parts are present. Read instructions completely before beginning.
- STEP 2. Install extruded u-nuts as shown. SEE FIGURE 1.
- STEP 3. Install front and rear brackets as shown. Hand tighten. SEE FIGURE 2.
- STEP 4. Attach step bars using M6 hardware SEE FIGURES 3, 4, AND 5.
- STEP 5. Make sure step bar and brackets are properly aligned and tighten fasteners. Recommended torque values are 15 FT.LBS. for 5/16" fasteners and 10 FT.LBS. for M6 fasteners.

FINISH PROTECTION

Westin products have a high quality finish that must be cared for like any other exposed finish on the vehicle. Protect the finish with a non-abrasive automotive wax, (e.g. Pure Carnuba) on a regular basis. The use of any soap, polish or wax that contains an abrasive is detrimental, as the compounds scratch the finish and open it

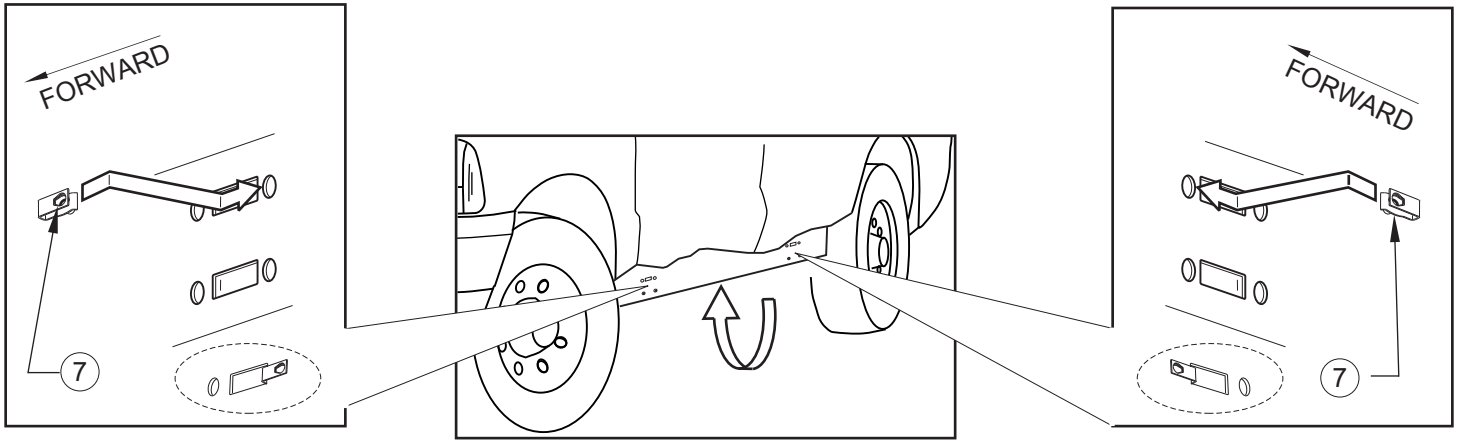


FIGURE 1 (DRIVER SIDE SHOWN)

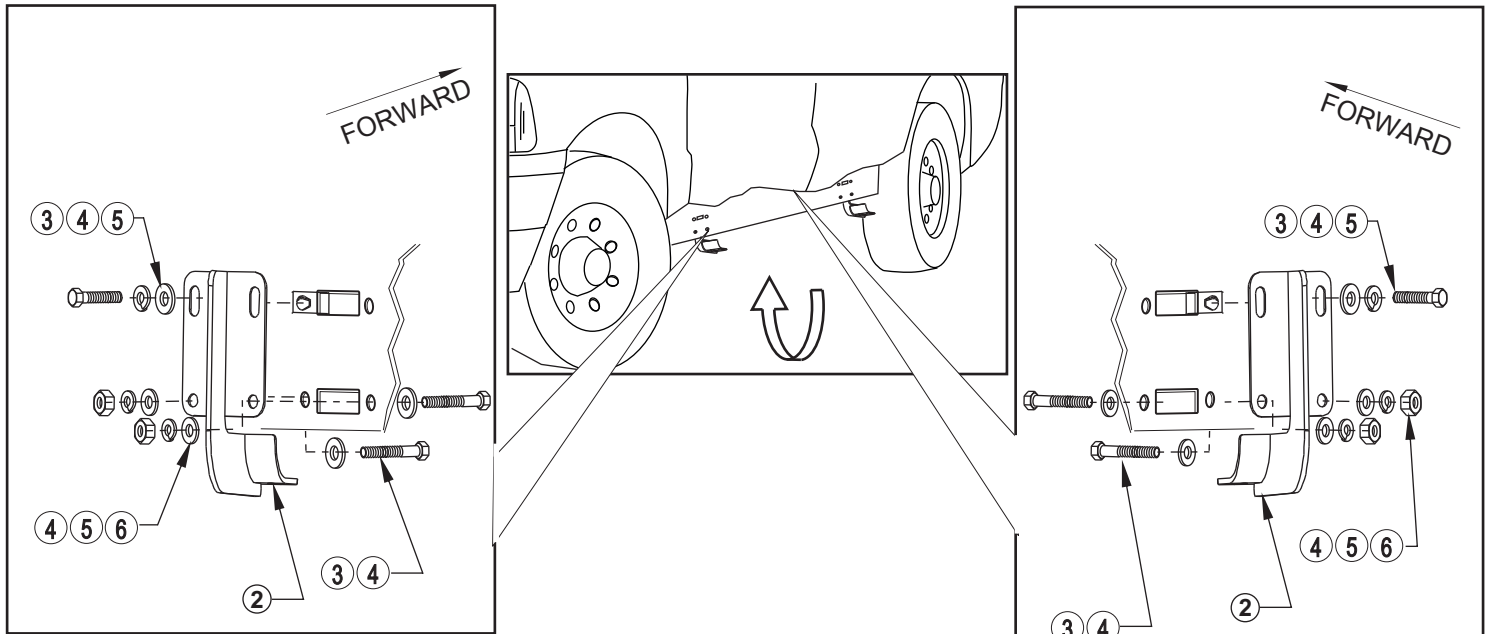


FIGURE 2 (DRIVER SIDE SHOWN)

