



AUTOMOTIVE PRODUCTS, INC.

INSTALLATION INSTRUCTIONS

OVAL STEP BAR MOUNT KIT

APPLICATION: 2015 Ford F150 SUPER CREW, SUPER CAB, REGULAR CAB
PART # 22-2055

ITEM	QUANTITY	DESCRIPTION	TOOLS NEEDED
1	1	STEP BAR PASSENGER (SOLD SEPARATELY)	RATCHET
2	1	STEP BAR DRIVER (SOLD SEPARATELY)	RATCHET EXTENSION
3	2	"A" BRACKET	TORQUE WRENCH
4	2	"B" BRACKET	13MM SOCKET
5	4	UNIVERSAL BRACKET	13MM WRENCH
6	4	M8 CARRIAGE BOLT	10MM SOCKET
7	16	M8 24MM FLAT WASHER	10MM WRENCH
8	16	M8 LOCK WASHER	
9	16	M8 HEX NUT	
10	12	POLY RETAINER	
11	4	M6 BOLT PLATES (INCLUDED WITH STEP BARS)	
12	16	M6 FLAT WASHERS (INCLUDED WITH STEP BARS)	
13	16	M6 NYLOCK NUTS (INCLUDED WITH STEP BARS)	

ANTI-SEIZE LUBRICANT MUST BE USED ON ALL STAINLESS STEEL FASTENERS TO PREVENT THREAD DAMAGE AND GALLING .

1. Remove contents from box, verify if all parts listed are present and free from damage. Carefully read and understand all instructions before attempting installation.
2. Locate two mount locations at the end of each side of the rocker panel (**Figure 1**).
3. Place 1 poly retainer (item 10) on each threaded stud (**Figure 1**).

Important: Poly retainer must be used to insulate and prevent the contact between bracket (Made of steel) and rocker panel (Made of aluminum). Contact between these two materials creates corrosion.

4. Mount 1x Universal bracket (Item 5) on Bracket A (Item 3) and Bracket B (Item 4) (See figures 2 & 4) Using the hardware on **Figure 2**.
5. Install mounting brackets at the rocker panel (**Figure 3**) using the hardware on **Figure 2**. And follow (**Figure 4**) for placement brackets order. *Do not fully tighten at this time.*
6. Identify driver and passenger side step bars. And install bolt plates (Item 11) to the underside of the step bars. (**Figure 5 & 6**).
7. Take the drivers side step bar and place it onto the mounting bracket cradles; align the bolt plates (Item 11) with the mounting holes in the brackets and attach using (8x) m6 hex lock nuts (*item 13*), and (8x) M6 flat washers (*item 12*) (**Figure 7**). *Do not fully tighten at this time.*
8. Align and adjust the tube steps as needed then fully tighten all hardware at this time.
Torque all hardware to 19 ft. lbs.
9. Repeat steps 4-8 for the passenger side.

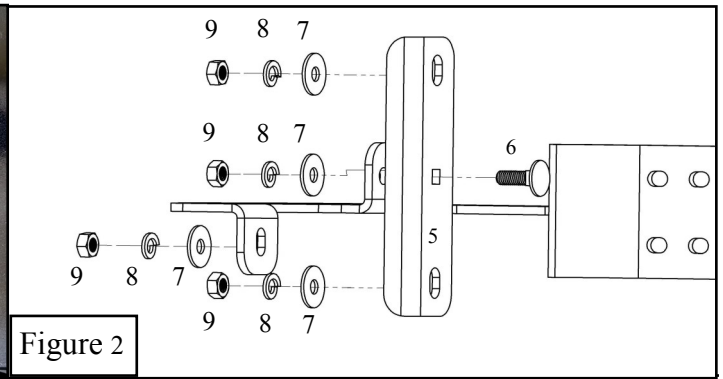
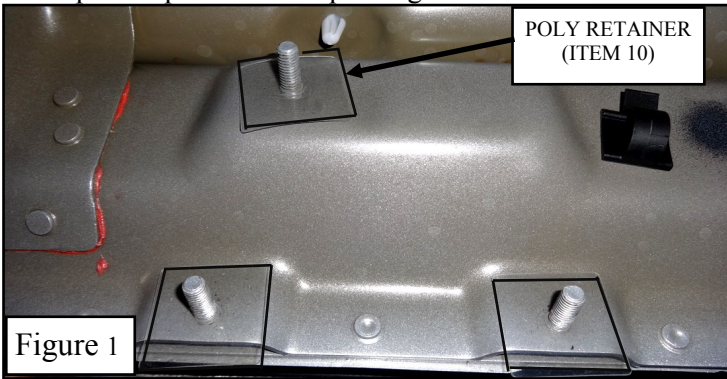


Figure 1

Figure 2

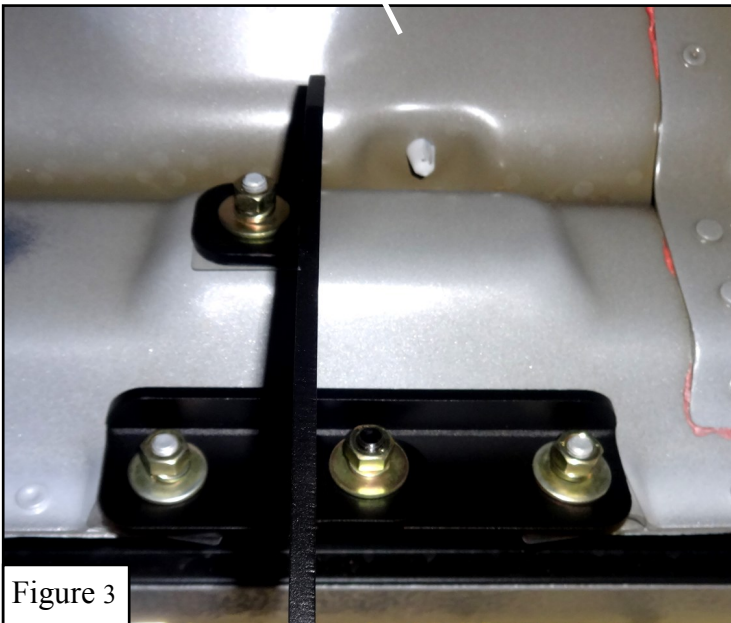


Figure 3

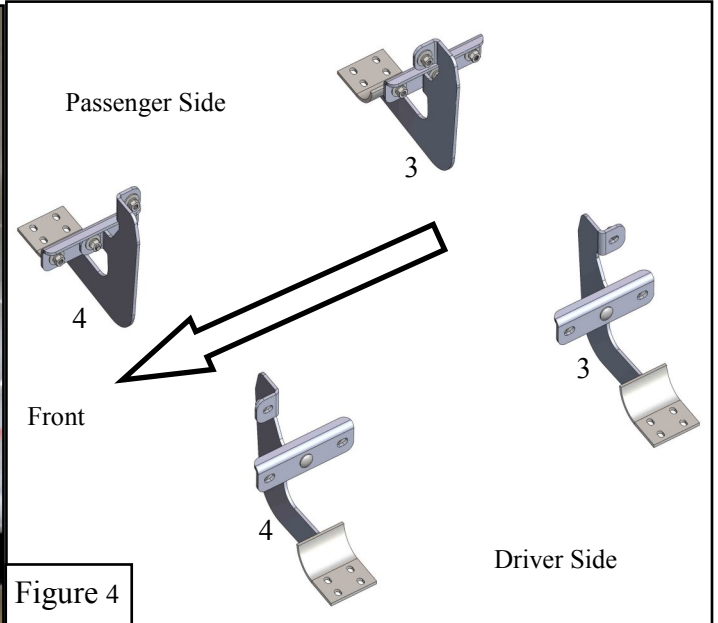


Figure 4

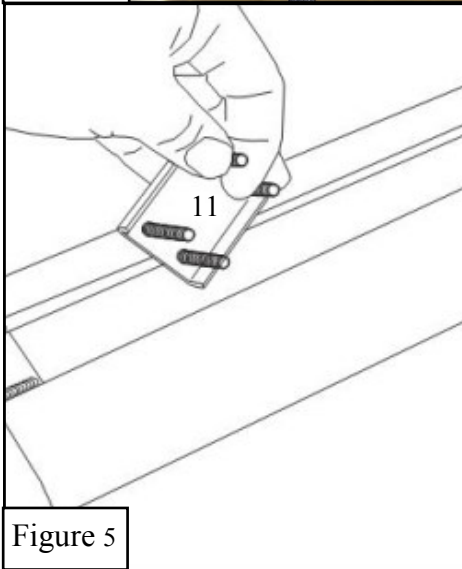


Figure 5

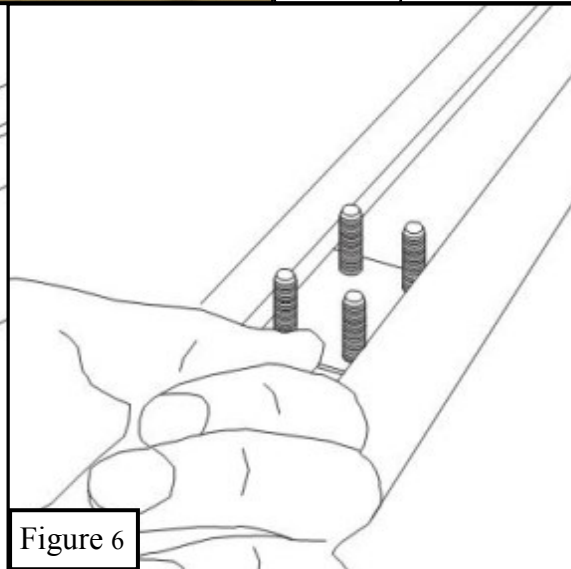


Figure 6

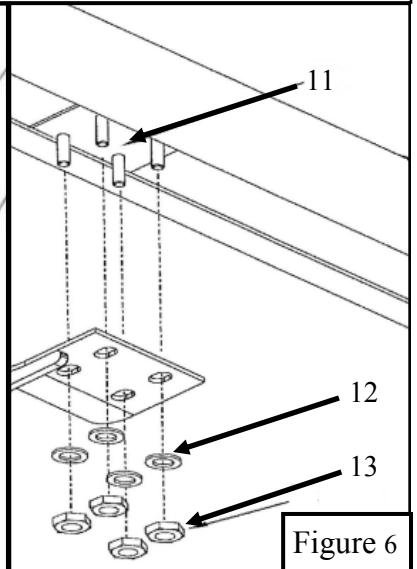


Figure 6

INSTALLATION COMPLETE

