



INSTALLATION INSTRUCTIONS

APPLICATION: 2007-08 BUICK ENCLAVE/GMC ACADIA/SATURN OUTLOOK

AUTOMOTIVE PRODUCTS, INC.

| | | | | |
|---|----------|----------|----------|----------|
| <p>MOUNT KIT 22-1795</p> <p>CHROME 22-0020, 22-5020</p> <p>BLACK 22-0025, 22-5025</p> | <p>1</p> | <p>3</p> | <p>5</p> | <p>7</p> |
| | <p>2</p> | <p>4</p> | <p>6</p> | <p>8</p> |

| ITEM | QTY | CONTENTS | TOOLS |
|------|-----|--|--|
| 1,2 | 2 | OVAL TUBE, PASSENGER (1) AND DRIVER (2) (PURCHASED SEPARATELY) | 3/4" SOCKET 9/16" SOCKET RATCHET RATCHET EXTENSION TORQUE WRENCH 7/16" SOCKET |
| 3,4 | 2 | FRONT BRACKET, PASSENGER (3) AND DRIVER (4) | |
| 5,6 | 2 | REAR BRACKET, PASSENGER (5) AND DRIVER (6) | |
| 7 | 4 | 1/2-13 X 2.00" BOLT PLATE ASSEMBLY | |
| 8 | 2 | 1/2-13 X 1.50" BOLT PLATE ASSEMBLY | |
| 9 | 2 | 3/8-16 BRIDGE WELD NUT | |
| 10 | 6 | 1/2" FLAT WASHER | |
| 11 | 6 | 1/2" LOCK WASHER | |
| 12 | 6 | 1/2-13 HEX NUT | |
| 13 | 2 | 3/8-16 X 1.25" HEX HEAD BOLT | |
| 14 | 2 | 3/8" FLAT WASHER | |
| 15 | 2 | 3/8" LOCK WASHER | |
| 16 | 2 | 3/8-16 HEX NUT | |
| 17 | 8 | 1/4-20 X .75 T-HEAD BOLT | |
| 18 | 8 | 1/4" FLAT WASHER | |
| 19 | 8 | 1/4-20 NYLON INSERT LOCK NUT | |
| 20 | 2 | PLASTIC WASHER | |

- STEP 1. Remove the contents from box and check for damage. Verify all parts are present. Read instructions completely before beginning.
- STEP 2. Determine passenger and driver brackets.
- STEP 3. Attach front driver side bracket using two 1/2" bolt plates, 1/2" flat washers, 1/2" lock washers, and 1/2-13 hex nuts as shown. **SEE FIGURE 1.**
- STEP 4. Thread 3/8-16 x 1.25" hex head bolt through bridge weld nut, insert into hole, and use plastic washer to hold in place. **SEE FIGURE 2.**
- STEP 5. Insert 1/2-13 x 1.50" bolt plate into hole. **SEE FIGURE 2.**
- STEP 6. Attach rear driver side bracket to the previously inserted bolt plates. **SEE FIGURE 2.**
- STEP 7. Slide T-head bolts on step bar as shown (2 per slot, 4 per bar). Place step bar on saddle with long step pad forward and end cap screw facing inward. Assemble with 1/4" fasteners. **SEE FIGURES 4 AND 5.**
- STEP 8. Make sure step bar and brackets are properly aligned with vehicle and tighten fasteners. Recommended torque values are 64 Ft. Lbs. for 1/2" fasteners, 26 Ft. Lbs. for 3/8" fasteners, and 7 Ft. Lbs. for 1/4" fasteners
- STEP 9. Repeat installation for passenger side. Make sure that the front passenger bracket does not interfere with the metal fuel line. **SEE FIGURE 3.**

FINISH PROTECTION

Westin products have a high quality finish that must be cared for like any other exposed finish on the vehicle. Protect the finish with a non-abrasive automotive wax, (e.g. Pure Carnauba) on a regular basis. The use of any soap, polish or wax that contains an abrasive is detrimental, as the compounds scratch the finish and open it to corrosion.

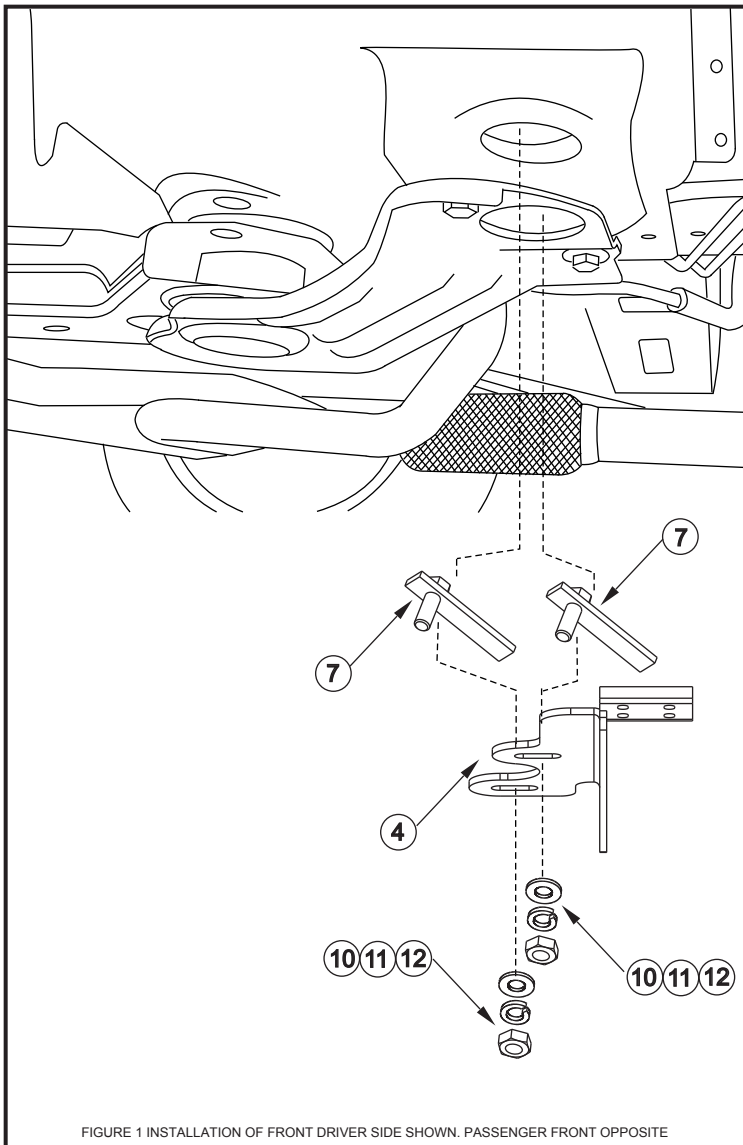


FIGURE 1 INSTALLATION OF FRONT DRIVER SIDE SHOWN. PASSENGER FRONT OPPOSITE

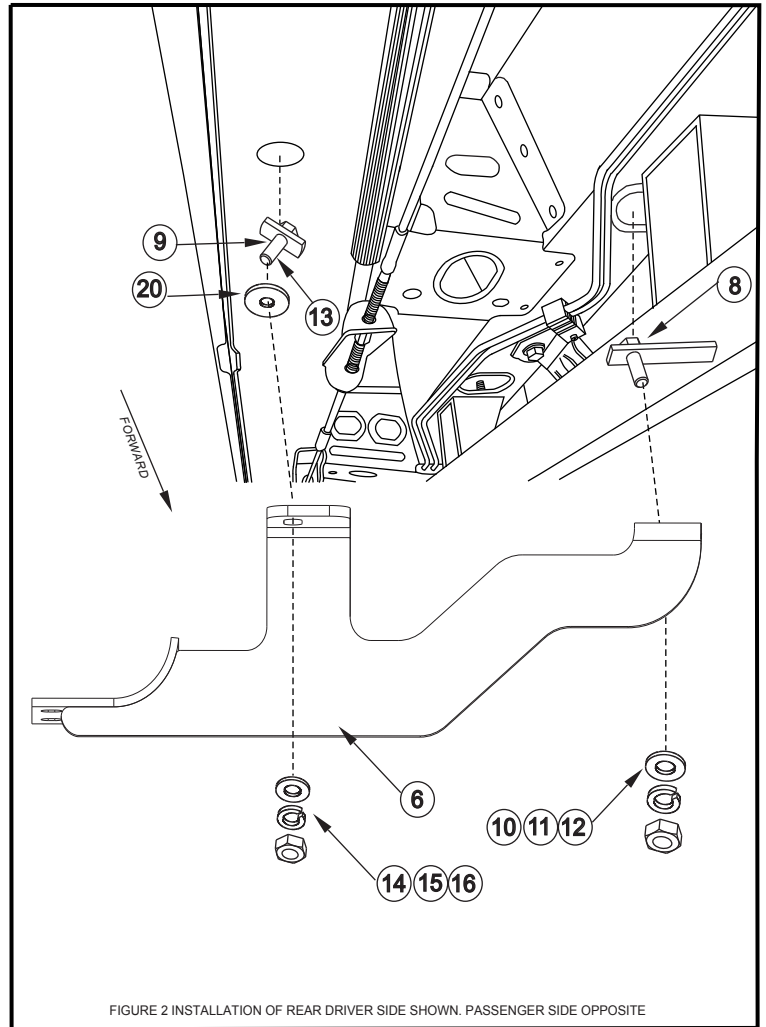


FIGURE 2 INSTALLATION OF REAR DRIVER SIDE SHOWN. PASSENGER SIDE OPPOSITE

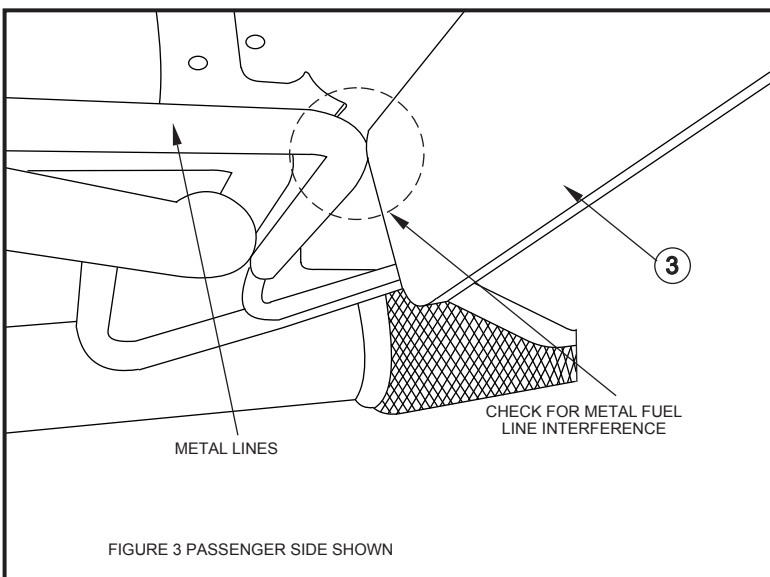


FIGURE 3 PASSENGER SIDE SHOWN

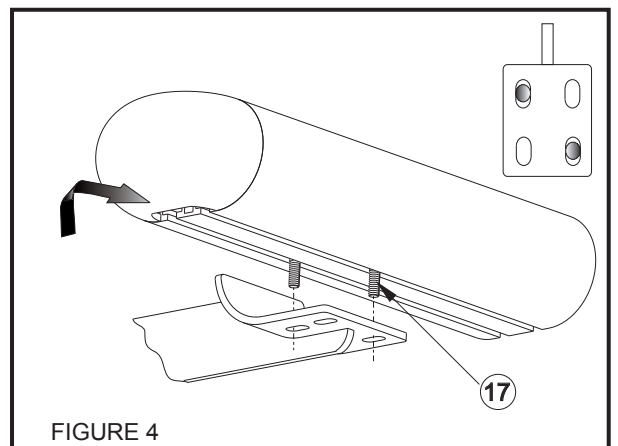


FIGURE 4

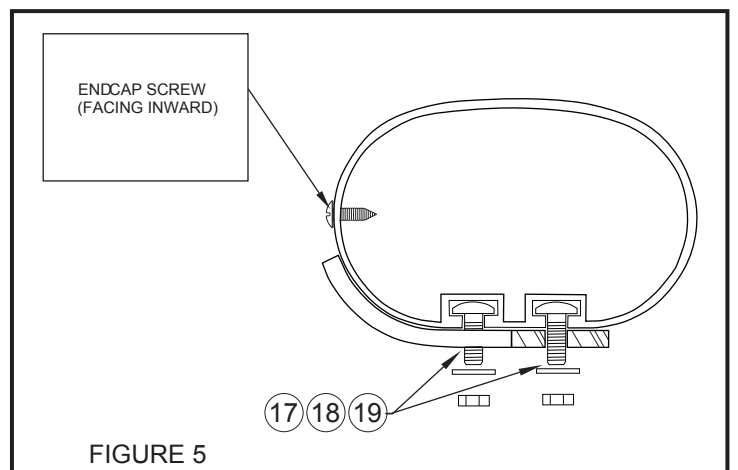


FIGURE 5

Choose reliable running boards offered on our website.