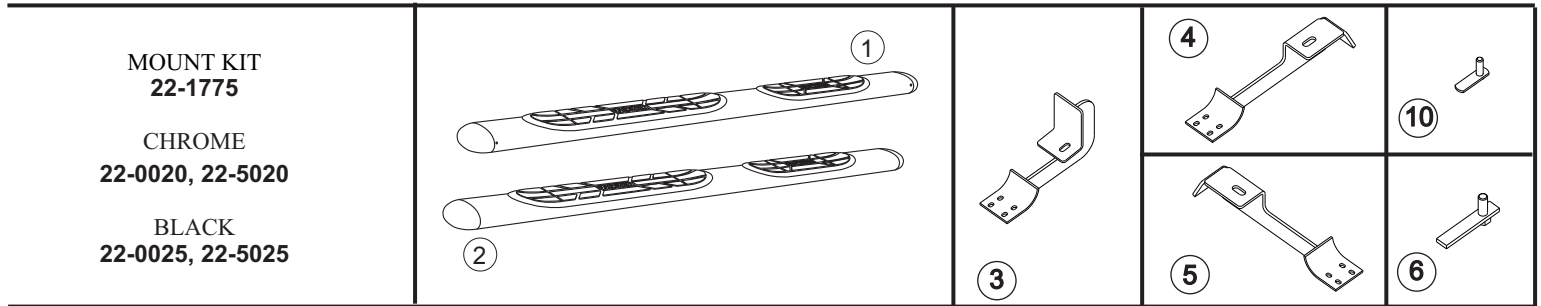




INSTALLATION INSTRUCTIONS

APPLICATION: 2005-09 CHEVROLET EQUINOX; 2006-09 PONTIAC TORRENT;
2006-07 SATURN VUE

AUTOMOTIVE PRODUCTS, INC.

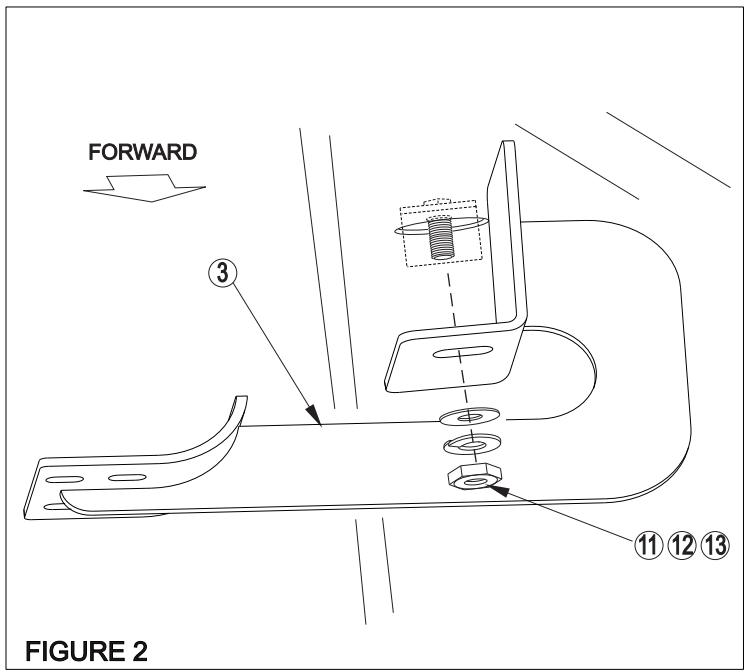
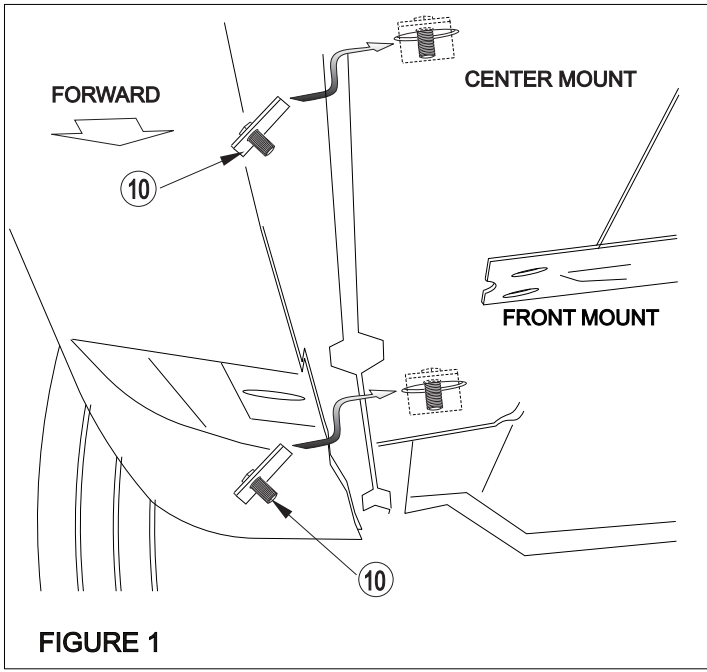


ITEM	QTY	CONTENTS	TOOL
1,2	2	STEP BAR, PASSENGER (1) AND DRIVER (2) (PURCHASED SEPARATELY)	3/4" SOCKET 9/16" SOCKET 10MM SOCKET RATCHET TORQUE WRENCH
3	4	FRONT/CENTER BRACKET	
4,5	2	REAR BRACKET, PASSENGER (4) AND DRIVER (5)	
6	2	1/2-13 BOLT PLATE ASSEMBLY	
7	2	1/2" FLAT WASHER	
8	2	1/2" LOCK WASHER	
9	2	1/2-13 HEX NUT	
10	4	3/8-16 BOLT PLATE ASSEMBLY	
11	4	3/8" FLAT WASHER	
12	4	3/8" LOCK WASHER	
13	4	3/8-16" HEX NUT	
14	6	M6 BOLT PLATES (INCLUDED WITH STEP TUBES)	
15	24	M6 FLAT WASHERS (INCLUDED WITH STEP TUBES)	
16	24	M6 LOCK NUTS (INCLUDED WITH STEP TUBES)	

- STEP 1.** Remove contents from box and check for damage. Verify all parts are present. Read instructions completely before beginning.
- STEP 2.** Insert bolt plates as shown. **SEE FIGURE 1 AND 3.**
- STEP 3.** Install front and center brackets as shown. Hand tighten. **SEE FIGURE 2.**
- STEP 4.** Install rear brackets as shown. Hand tighten. **SEE FIGURE 4.**
- STEP 5.** To install oval step tubes, use mounting hardware packaged with step tubes. Insert M6 bolt plates into the oval tube as shown. Place bolts through the corresponding mount holes into the brackets. Attach with M6 flat washers and M6 lock nuts. **SEE FIGURE 5,6,7**
- STEP 6.** Make sure step bar and brackets are properly aligned with vehicle and tighten fasteners. Recommended torque values are 64 FT.LBS. for 1/2" fasteners, 26 FT.LBS. for 3/8" fasteners, 7 FT. LBS for M6 fasteners.

FINISH PROTECTION

Westin products have a high quality finish that must be cared for like any other exposed finish on the vehicle. Protect the finish with a non-abrasive automotive wax, (e.g. Pure Carnauba) on a regular basis. The use of any soap, polish or wax that contains an abrasive is detrimental, as the compounds scratch the finish and open it



DRIVER SIDE SHOWN

