

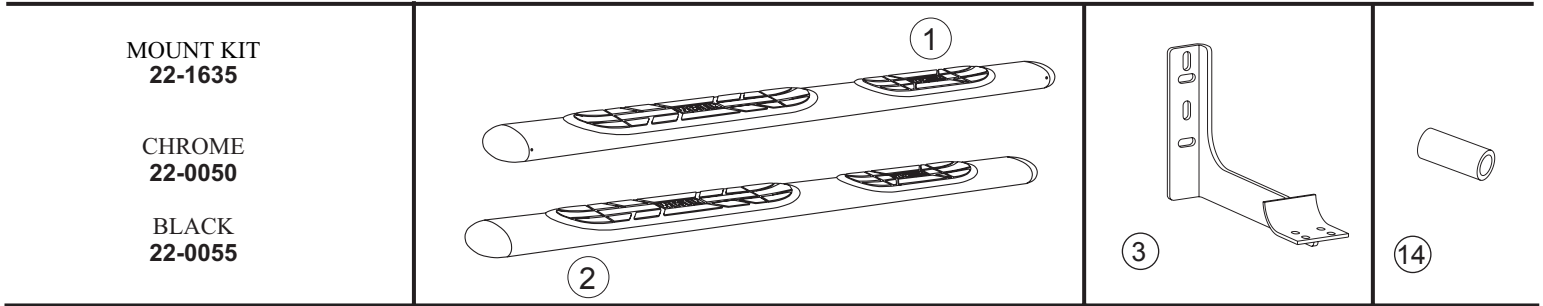


SIGNATURE OF QUALITY

INSTALLATION INSTRUCTIONS

APPLICATION: 2006-07 HUMMER H3

AUTOMOTIVE PRODUCTS, INC.



MOUNT KIT
22-1635

CHROME
22-0050

BLACK
22-0055

ITEM	QTY	CONTENTS	TOOLS
1,2	2	STEP BAR, PASSENGER (1) AND DRIVER (2) (SOLD SEPARATELY)	10MM SOCKET 17MM SOCKET 7/16" SOCKET RATCHET TORQUE WRENCH
3	4	MOUNT BRACKET	
4	1	M6-1.00 X 65MM HEX HEAD BOLT	
5	1	6MM FLAT WASHER	
6	1	6MM LOCK WASHER	
7	8	M10-1.50 X 35MM HEX HEAD BOLT	
8	8	10MM FLAT WASHER	
9	8	10MM LOCK WASHER	
10	8	1/4-20 X .75 T-HEAD BOLT	
11	8	1/4" FLAT WASHER	
12	8	1/4-20 NYLON INSERT LOCK NUT	
13	4	SPACER WASHER	
14	1	SPACER TUBE	

- STEP 1. Remove the contents from box and check for damage. Verify all parts are present. Read instructions completely before beginning.
- STEP 2. Locate the emergency brake cable on drivers side and install spacer as shown. Remove factory bolt and replace with 6mm fasteners and spacer tube. **SEE FIGURE 1 & 2.**
- STEP 3. Locate driver side mounting locations on vehicle. Attach mount brackets as shown. Slide rear driver mount under brake line. **SEE FIGURE 2.** Repeat for passenger side. It may be necessary to clean out mounting holes on frame with a 10mm tap.
- STEP 4. Slide T-head bolts on step bar as shown (2 per slot, 4 per bar). Place step bar on saddle with long step pad forward and end cap screw facing inward. Assemble with 1/4" fasteners. **SEE FIGURES 3 AND 4.**
- STEP 5. Make sure step bar and brackets are properly aligned and tighten fasteners. Recommended torque values are 31 Ft. Lbs. for M10 fasteners, 7 Ft. Lbs. for 1/4" fasteners and 6 Ft. Lbs. for M6 fasteners.
- STEP 6. Repeat installation for opposite side.

FINISH PROTECTION

Westin products have a high quality finish that must be cared for like any other exposed finish on the vehicle. Protect the finish with a non-abrasive automotive wax, (e.g. Pure Carnauba) on a regular basis. The use of any soap, polish or wax that contains an abrasive is detrimental, as the compounds scratch the finish and open it to corrosion.

FIGURE 1

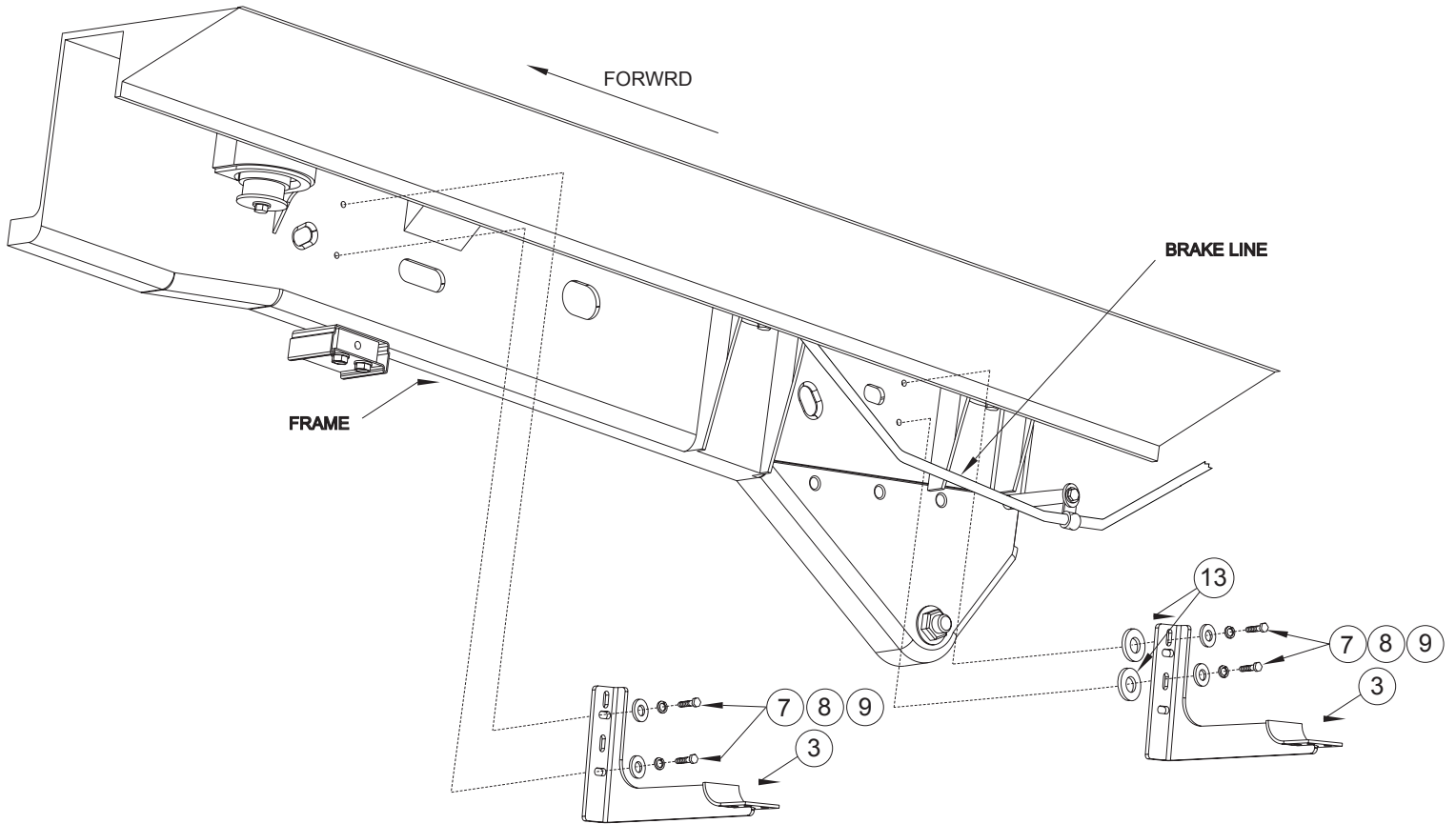
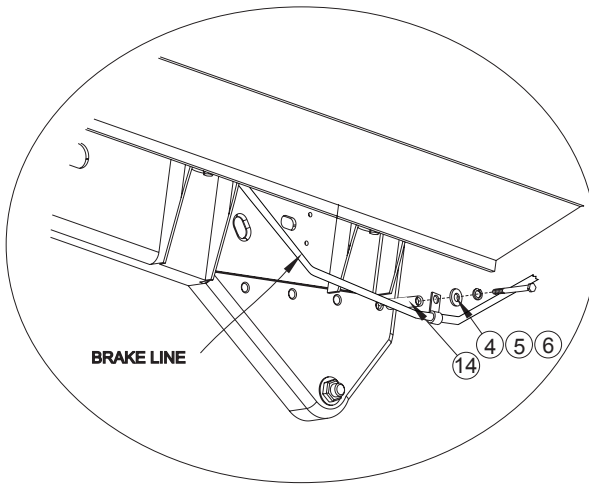


FIGURE 2 INSTALLATION VIEW OF DRIVER SIDE SHOWN, PASSENGER SIDE OPPOSITE

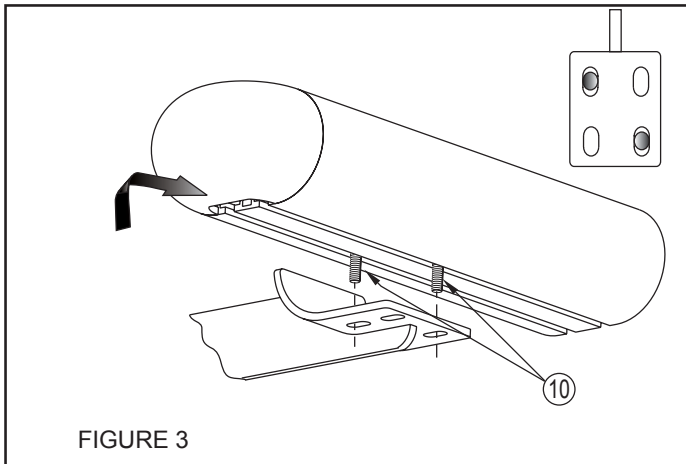


FIGURE 3

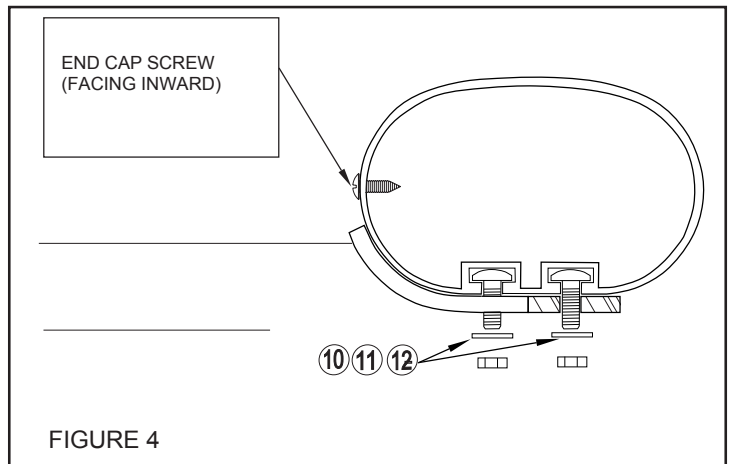


FIGURE 4