



# INSTALLATION INSTRUCTIONS

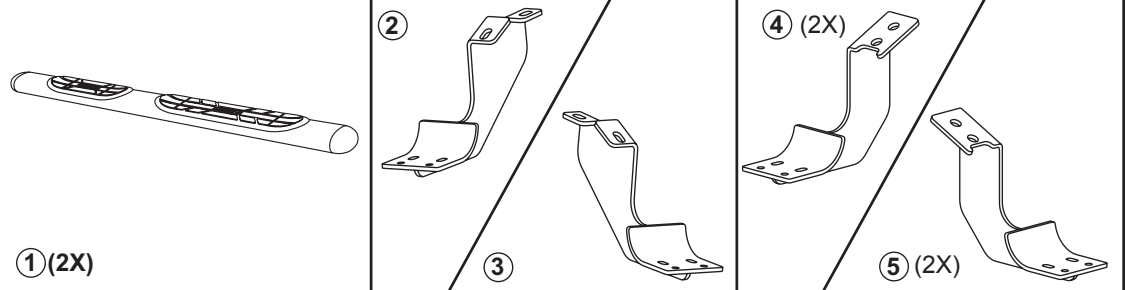
APPLICATION: 2005 Toyota Tacoma X-Cab, D-Cab

AUTOMOTIVE PRODUCTS, INC.

**Mount Kit**  
# 22-1475

**Chrome**  
X-CAB 22-0050  
D-CAB 22-0030

**Black**  
X-CAB 22-0055  
D-CAB 22-0035



ITEM	QTY	CONTENTS	TOOLS
1	2	STEP BAR (Not included in Mount Kit)	13mm SOCKET 13mm WRENCH TORQUE WRENCH RATCHET
2	1	FRONT BRACKET, DRIVER	
3	1	FRONT BRACKET, PASSENGER	
4	2	REAR / CENTER BRACKET, DRIVER	
5	2	REAR / CENTER BRACKET, PASSENGER	
6	12	M8-1.25 X 25mm HEX HEAD BOLT	
7	12	5/16" FLAT WASHER	
8	12	5/16" LOCK WASHER	
9	12	1/4-20 X .75 T-HEAD BOLT	
10	12	1/4" FLAT WASHER	
11	12	1/4" LOCK WASHER	
12	12	1/4-20 CAP NUT	

**STEP 1.** Remove contents from box and check for damage. Verify all parts are present. Read instructions completely before beginning.

**STEP 2.** Install front brackets as shown. Hand tighten (See Figure 1 and 2).

**STEP 3.** Install rear and center brackets as shown. Hand tighten (See Figure 3 and 4).

**STEP 4.** Slide T-head bolts on step bar as shown (3 per slot, 6 per bar). Place step bar on saddle with long step pad forward and end cap screw facing inward. Assemble with 1/4" hardware (See Figure 5 and 6).

**STEP 5.** Make sure step bar and brackets are properly aligned. Tighten and torque M8" hardware to 22 ft-lbs, 1/4" hardware to 9 ft-lbs.

## FINISH PROTECTION

Westin products have a high quality finish that must be cared for like any other exposed finish on the vehicle. Protect the finish with a non-abrasive automotive wax, (e.g. Pure Carnauba) on a regular basis. The use of any soap, polish or wax that contains an abrasive is detrimental, as the compounds scratch the finish and open it to corrosion.

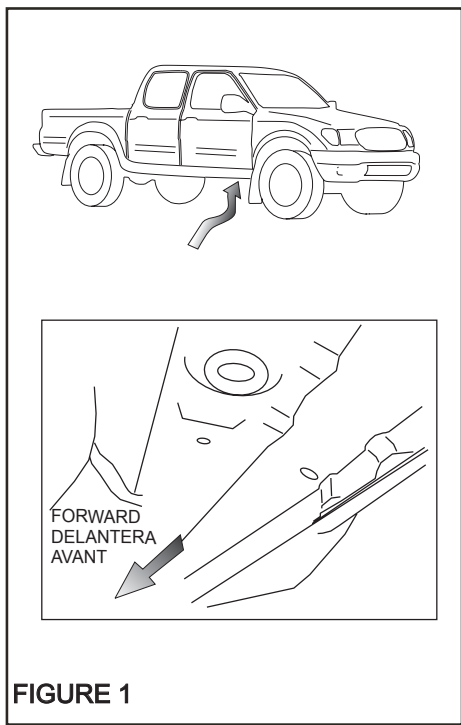


FIGURE 1

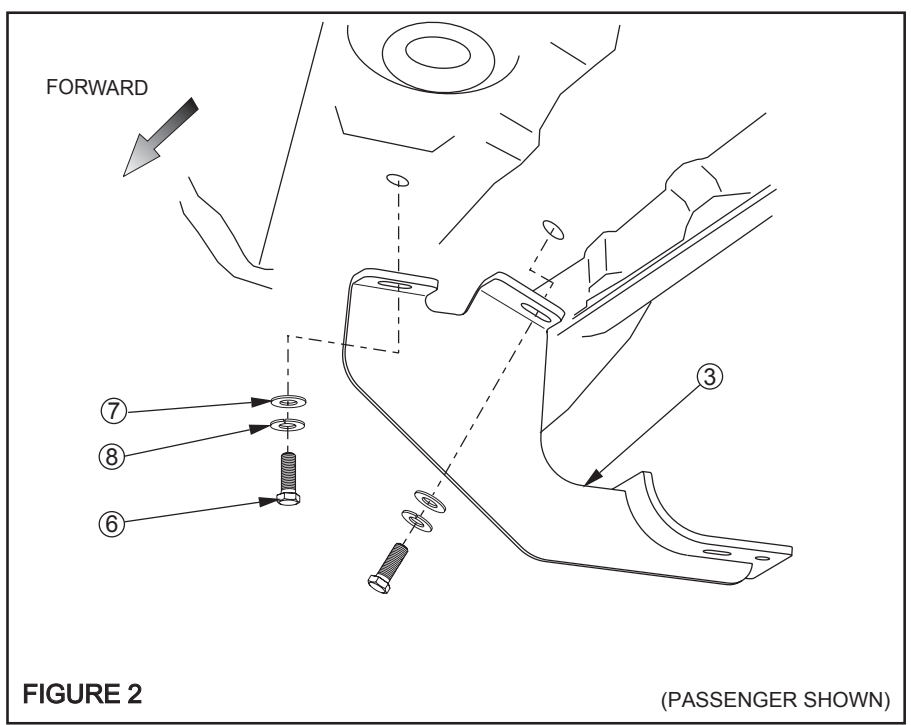


FIGURE 2

(PASSENGER SHOWN)

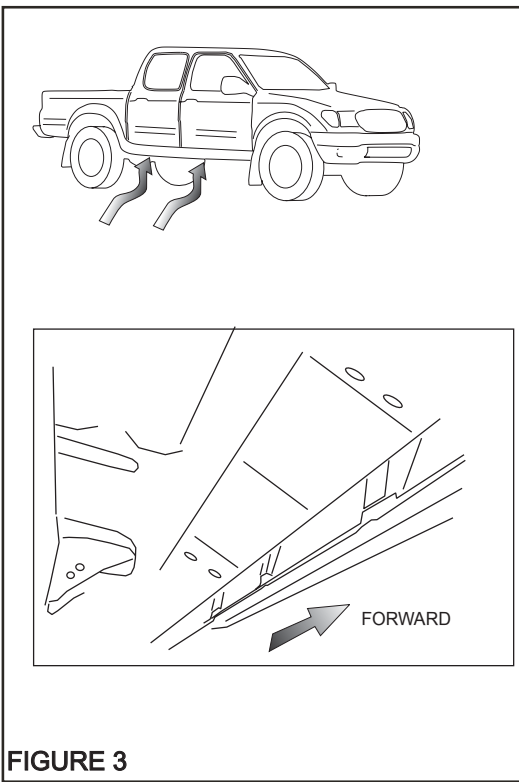


FIGURE 3

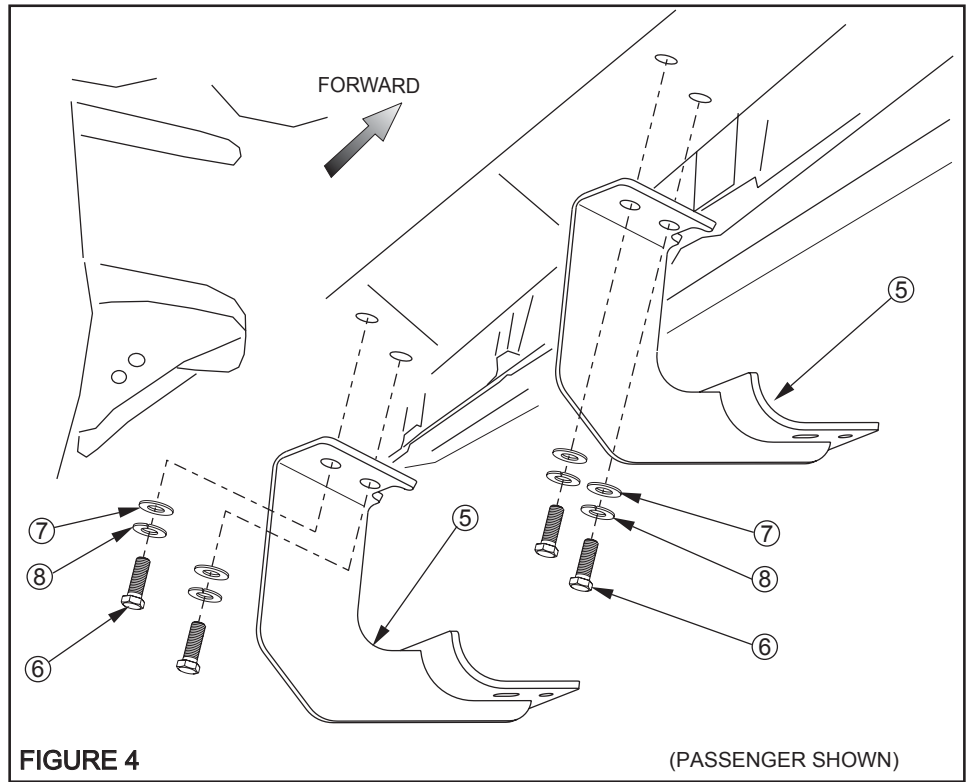


FIGURE 4

(PASSENGER SHOWN)

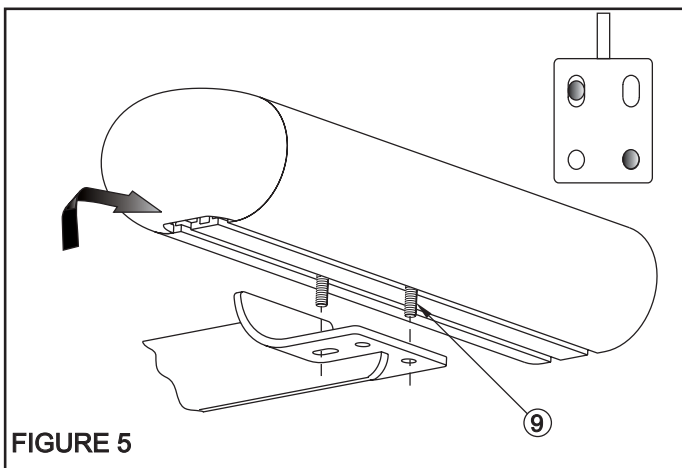


FIGURE 5

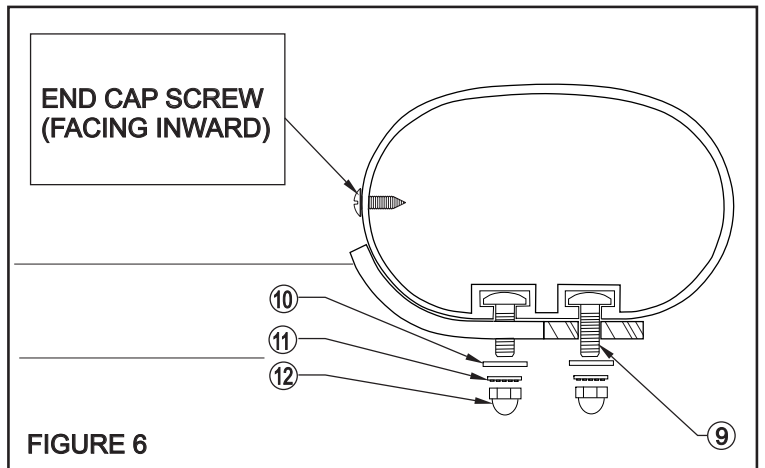


FIGURE 6