

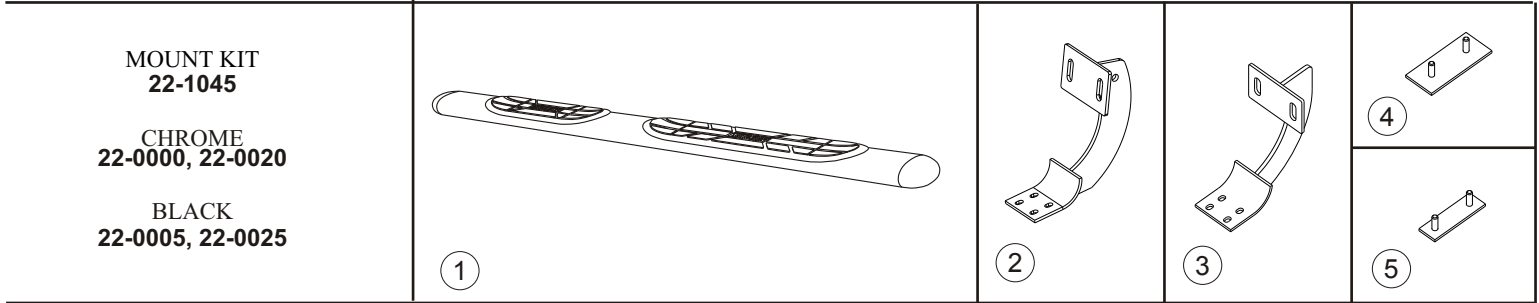


SIGNATURE OF QUALITY

AUTOMOTIVE PRODUCTS, INC.

INSTALLATION INSTRUCTIONS

APPLICATION: 1997-04 FORD F-150, F-250 (LD) REGULAR/SUPER CAB 4DR



ITEM	QTY	CONTENTS	TOOLS
1	2	STEP BAR (PURCHASED SEPARATELY)	9/16" SOCKET 7/16" SOCKET RATCHET TORQUE WRENCH
2	2	FRONT BRACKET	
3	2	REAR BRACKET	
4	4	LARGE BOLT PLATE	
5	1	SMALL BOLT PLATE (1997-98 EXT. CAB)	
6	8	3/8" FLAT WASHER	
7	8	3/8" LOCK WASHER	
8	8	3/8-16" HEX NUT	
9	8	1/4-20 X .75 T-HEAD BOLT	
10	8	1/4" FLAT WASHER	
11	8	1/4-20 NYLON INSERT LOCK NUT	

- STEP 1. Remove contents from box and check for damage. Verify all parts are present. Read instructions completely before beginning.
- STEP 2. Remove existing plugs from underside of cab as shown. **SEE FIGURE 1.**
- STEP 3. Insert bolt plates as shown. **SEE FIGURES 1 AND 5.**
NOTE: 97-98 Extended cab driver side rear bracket uses smaller bolt plate and lower bracket holes. **SEE FIGURES 2 AND 6.**
- STEP 4. Install front and rear brackets as shown. Front bracket has an identification hole. Hand tighten. **SEE FIGURE 2.**
- STEP 5. Slide T-head bolts on step bar as shown (2 per slot, 4 per bar). Place step bar on saddle with long step pad forward and end cap screw facing inward. Assemble with 1/4" fasteners. **SEE FIGURES 3 AND 4.**
- STEP 6. Make sure step bar and brackets are properly aligned and tighten fasteners. Recommended torque values are 26 FT.LBS. for 3/8" fasteners and 7 FT.LBS. for 1/4" fasteners.

FINISH PROTECTION

Westin products have a high quality finish that must be cared for like any other exposed finish on the vehicle. Protect the finish with a non-abrasive automotive wax, (e.g. Pure Carnauba) on a regular basis. The use of any soap, polish or wax that contains an abrasive is detrimental, as the compounds scratch the finish and open it to corrosion.



REMOVE RUBBER PLUGS BEFORE INSTALL.
(SEE FIGURE 5 & 6)

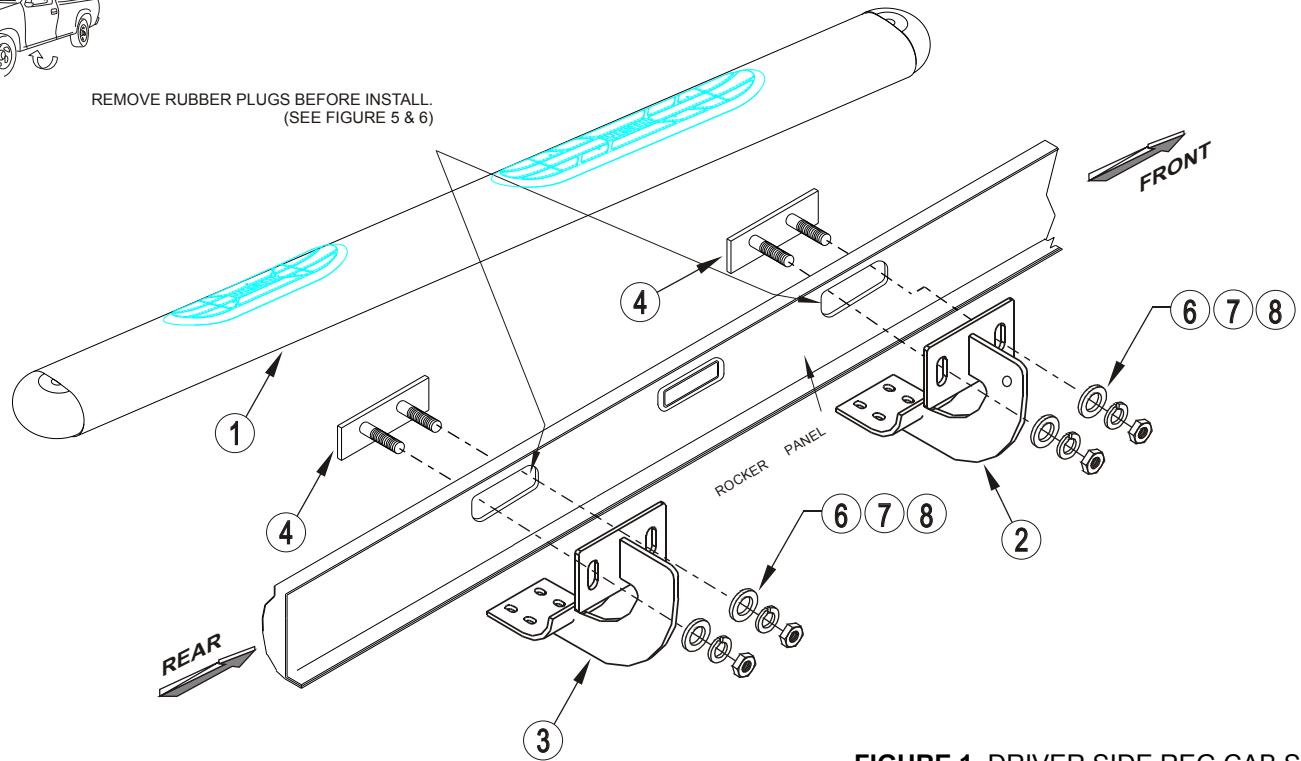


FIGURE 1 DRIVER SIDE REG CAB SHOWN

USE THESE HOLES ON THE 3 DOOR 97-98
EXTENDED CAB DRIVERS SIDE REAR
BRACKET ONLY. (SEE FIGURE 6.)

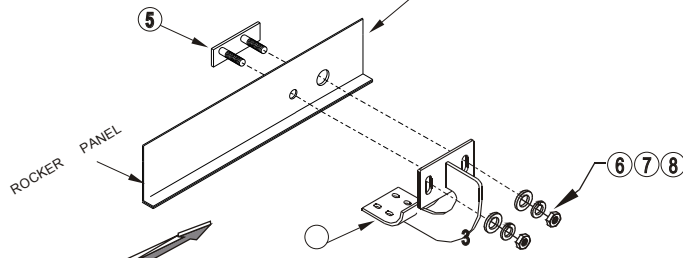


FIGURE 2 DRIVER SIDE EXTENDED CAB, REAR SHOWN

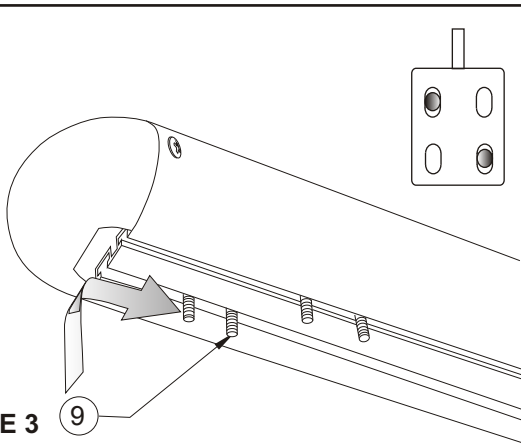


FIGURE 3

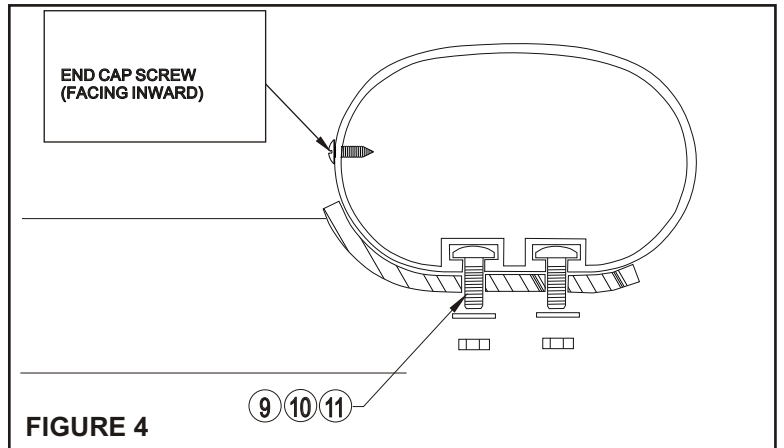


FIGURE 4



STEP 1. STEP REMOVE THE RUBBER PLUG

STEPS 2,3 AND 4. INSERT BOLT PLATE AS SHOWN.



BOLT PLATE INSTALLATION FIGURE 5



STEP 1. STEP REMOVE THE RUBBER PLUGS

STEPS 2,3 AND 4. INSERT BOLT PLATE AS SHOWN



1997-98 EXTENDED CAB 3 DOOR DRIVER SIDE REAR ONLY. BOLT PLATE INSTALLATION FIGURE 6