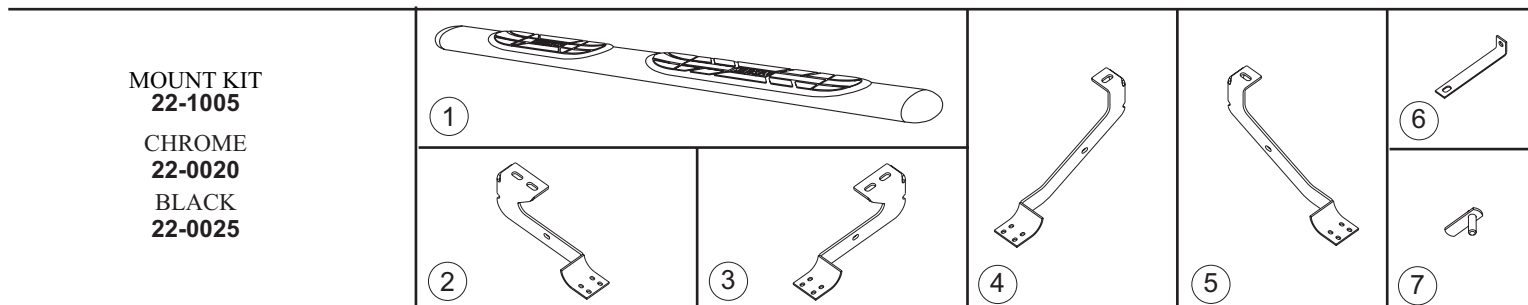




# INSTALLATION INSTRUCTIONS

**APPLICATION:** 1998-01 DODGE RAM 1500 QUAD CAB  
1998-02 DODGE RAM 2500/3500 QUAD CAB

AUTOMOTIVE PRODUCTS, INC.



MOUNT KIT  
22-1005

CHROME  
22-0020  
BLACK  
22-0025

ITEM	QTY	CONTENTS	TOOLS
1	2	STEP BAR (PURCHASED SEPARATELY)	3/4" SOCKET 9/16" SOCKET 7/16" SOCKET 18MM SOCKET RATCHET TORQUE WRENCH
2,3	2	FRONT BRACKET, PASSENGER (2) AND DRIVER (3)	
4,5	2	REAR BRACKET, PASSENGER (4) AND DRIVER (5)	
6	4	SUPPORT BRACE	
7	4	BOLT PLATE ASSEMBLY	
8	4	M12-1.75 X 120 MM HEX HEAD BOLT	
9	4	1/2" FLAT WASHER	
10	4	3/8-16 X 1.25" HEX HEAD BOLT	
11	12	3/8" FLAT WASHER	
12	8	3/8" LOCK WASHER	
13	8	3/8-16" HEX NUT	
14	4	PLASTIC WASHER	
15	8	1/4-20 X .75 T-HEAD BOLT	
16	8	1/4" FLAT WASHER	
17	8	1/4-20 NYLON INSERT LOCK NUT	

- STEP 1.** Remove contents from box and check for damage. Verify all parts are present. Read instructions completely before beginning.
- STEP 2.** Remove existing body mount bolts as shown. **SEE FIGURES 2 AND 3.**
- STEP 3.** Install front and rear brackets as shown. Hand tighten. **SEE FIGURES 2 AND 3.**
- STEP 4.** Attach plastic washer to bolt plate. Insert bolt plate as shown. **SEE FIGURES 1, 2 AND 3.**
- STEP 5.** Attach support brace as shown. Hand tighten. Be sure bolt plate does not rotate out of hole by holding with small screwdriver until it is snug. **SEE FIGURES 1, 2 AND 3.**
- STEP 6.** Slide T-head bolts on step bar as shown (2 per slot, 4 per bar). Place step bar on saddle with long step pad forward and end cap screw facing inward. Assemble with 1/4" fasteners. **SEE FIGURES 4 AND 5.**
- STEP 7.** Make sure step bar and brackets are properly aligned. Tighten and torque 12mm fasteners to 63 FT. LBS; 3/8" fasteners to 30 FT. LBS. and 1/4" fasteners to 9 FT. LBS.

### FINISH PROTECTION

Westin products have a high quality finish that must be cared for like any other exposed finish on the vehicle. Protect the finish with a non-abrasive automotive wax, (e.g. Pure Carnauba) on a regular basis. The use of any soap, polish or wax that contains an abrasive is detrimental, as the compounds scratch the finish and open it to corrosion.

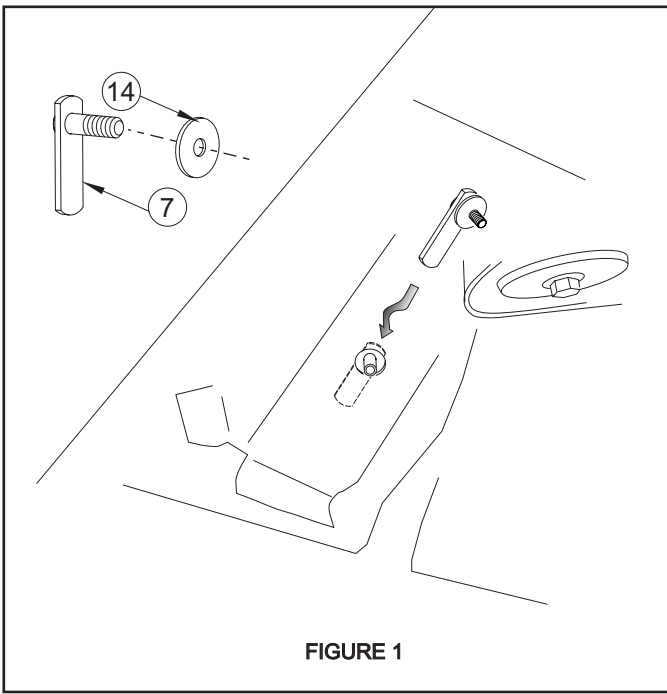


FIGURE 1

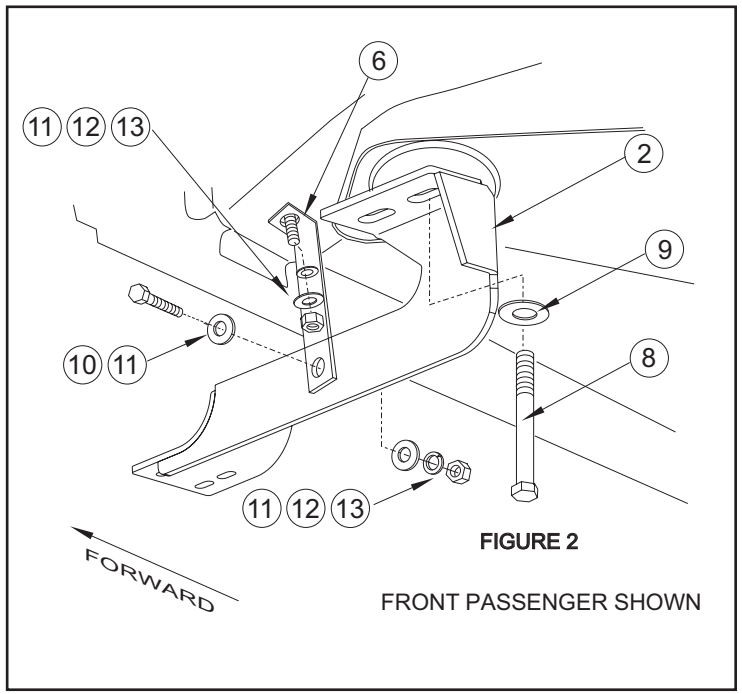


FIGURE 2

FRONT PASSENGER SHOWN

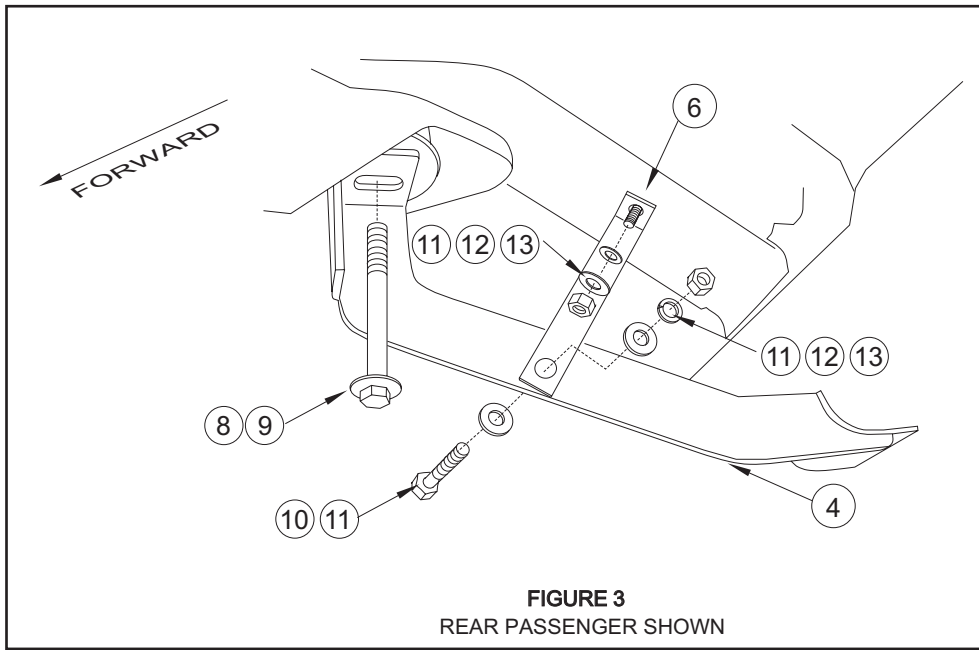


FIGURE 3

REAR PASSENGER SHOWN

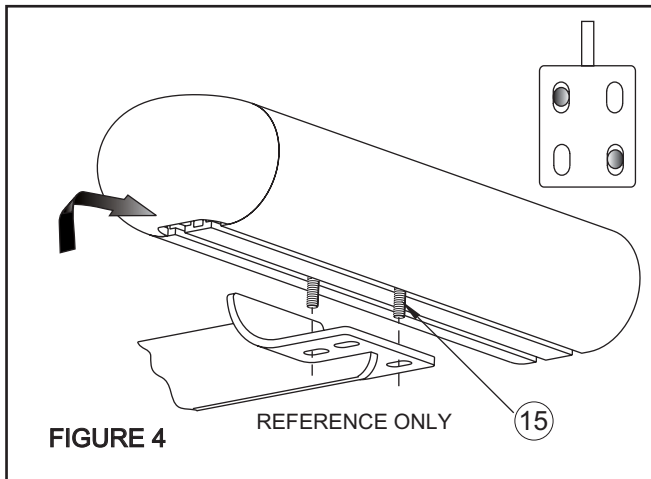


FIGURE 4

REFERENCE ONLY

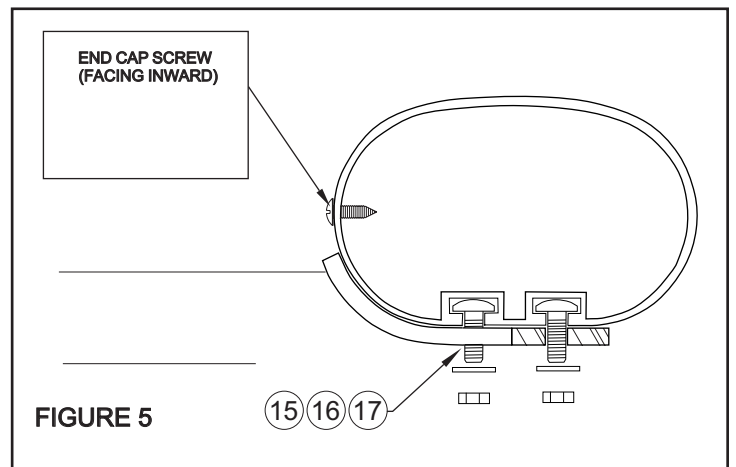


FIGURE 5