



AUTOMOTIVE PRODUCTS, INC.

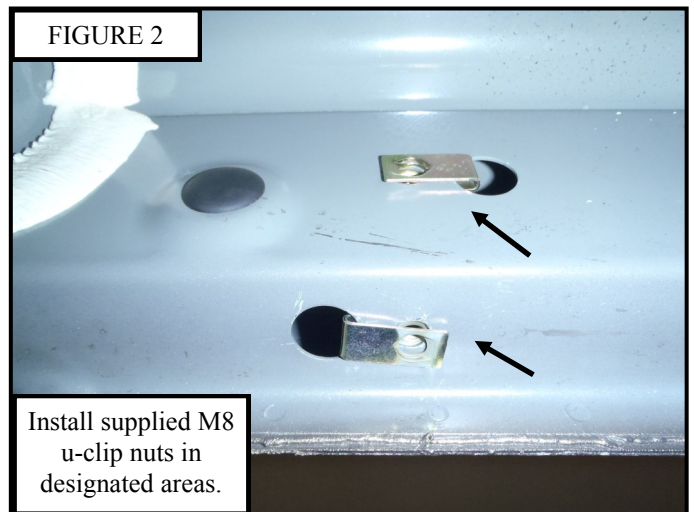
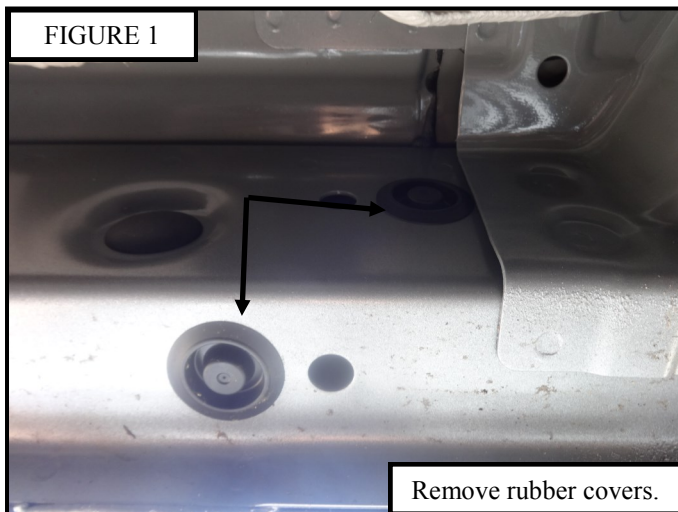
INSTALLATION INSTRUCTIONS

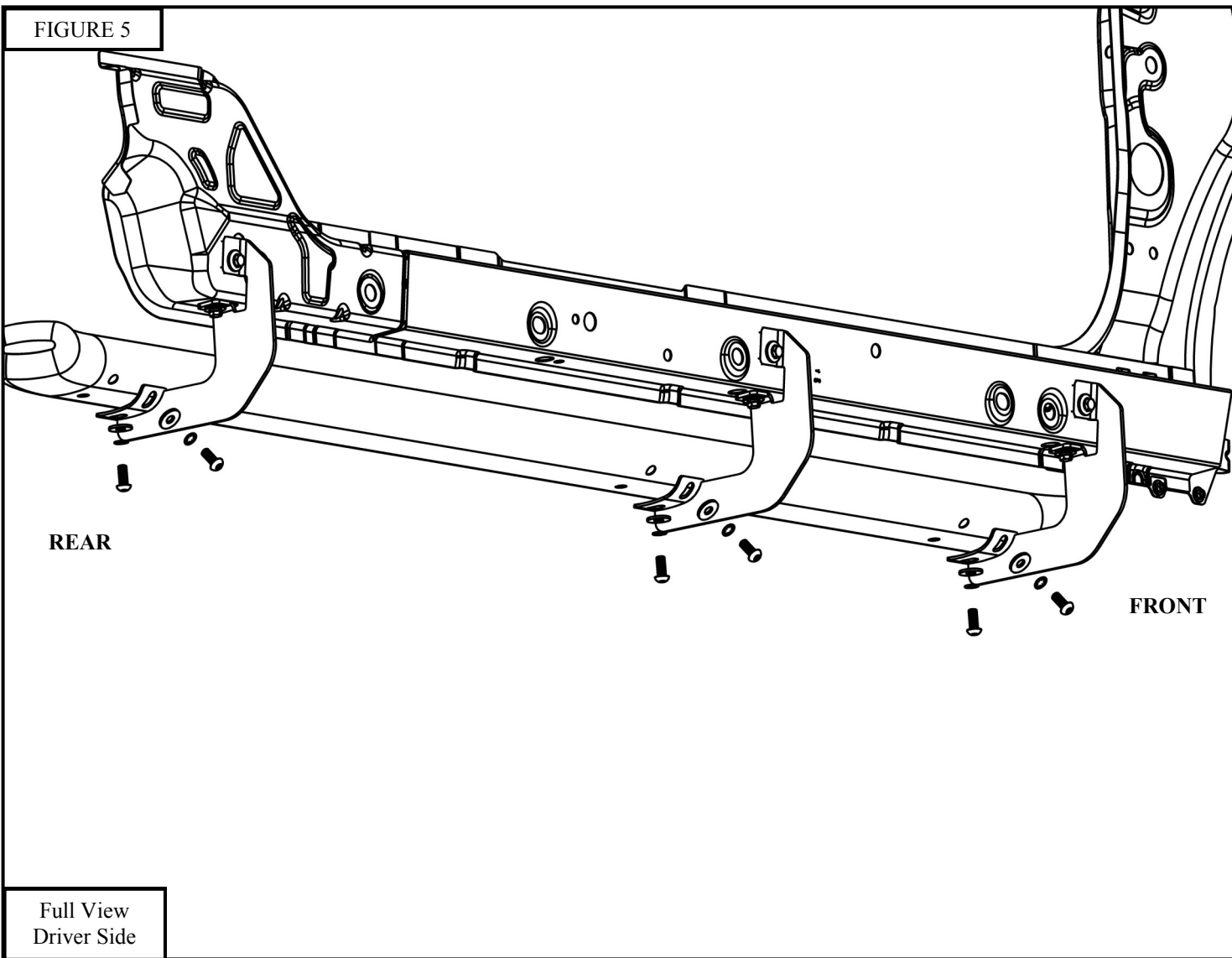
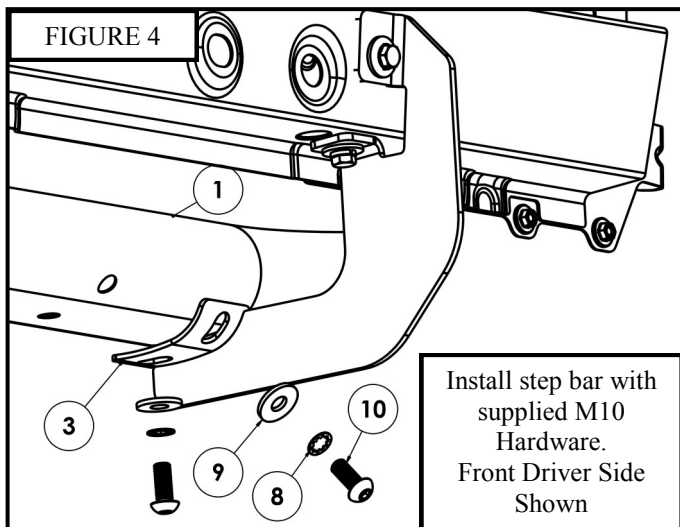
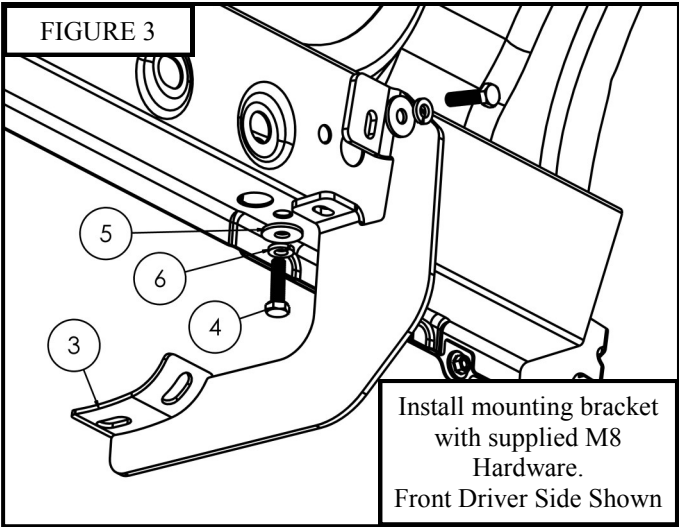
APPLICATION: PRO TRAXX OVAL STEP BAR / 2015 & UP CHEVY COLORADO & GMC CANYON
 APP PART #21-24000, 21-24005, 21-24010, 21-24015
 #21-54000, 21-54005, 21-54010, 21-54015

ITEM	QUANTITY	DESCRIPTION	TOOLS NEEDED
1	1	DRIVER SIDE PRO TRAXX STEP BAR ASSEMBLY	RATCHET
2	1	PASSENGER SIDE PRO TRAXX STEP BAR ASSEMBLY	13MM SOCKET
3	6	MOUNTING BRACKET	ALLEN WRENCH
4	12	M8 HEX CAP SCREW (YELLOW ZINC)	TORQUE WRENCH
5	12	M8 FLAT WASHER 16MM OD (YELLOW ZINC)	SOCKET EXTENS.
6	12	M8 SPLIT LOCK WASHER (YELLOW ZINC)	HEX KEY TOOL (INCLUDED)
7	12	M8 U-CLIP NUT (YELLOW ZINC)	
8	12	M10 TOOTHED LOCK WASHER (STAINLESS)	
9	12	M10 FLAT WASHER 20MM OD (STAINLESS)	
10	12	M10 BUTTON HEAD SCREW (STAINLESS)	

ANTI-SEIZE LUBRICANT MUST BE USED ON ALL STAINLESS STEEL FASTENERS TO PREVENT THREAD DAMAGE AND GALLING .

1. Remove contents from box, verify if all parts listed are present and undamaged. Carefully read and understand all instructions before attempting installation.
2. If vehicle has plastic covers, remove the designated covers where mounts will be placed from the rocker panel, see Figure 1.
3. Install M8 u-clip nuts in the holes where the plastic covers were removed, See Figure 2. (Note: See Figure 5 for placement of all designated u-clips)
4. Loosely install mounting brackets to the previously install M8 u-clips with supplied M8 hardware. (Note: The middle bracket will be closer the front bracket then in comparison to the rear bracket.)
5. Loosely install the Pro Traxx step bar assembly to the previously installed mounting brackets with supplied M10 hardware. (Note: Driver side step tube will be packaged in a clear poly tube and passenger side will be packaged in a red poly tube, the Westin logo should face outward when installed.)
6. Align and adjust as necessary then torque: M8 hardware to 15-18 ft-lbs., and M10 hardware to 30-35 ft-lbs.





INSTALLATION COMPLETE CREW CAB



INSTALLATION COMPLETE EXTENDED CAB



CARE INSTRUCTIONS

- REGULAR WAXING IS RECOMMENDED. DO NOT USE ANY TYPE OF POLISH OR WAX THAT MAY CONTAIN ABRASIVES.
- STAINLESS STEEL PRODUCTS CAN BE CLEANED WITH MILD SOAP AND WATER. STAINLESS STEEL POLISH SHOULD BE USED TO POLISH SMALL SCRATCHES.
- GLOSS BLACK FINISHES SHOULD BE CLEANED WITH MILD SOAP AND WATER.