



AUTOMOTIVE PRODUCTS, INC.

INSTALLATION INSTRUCTIONS

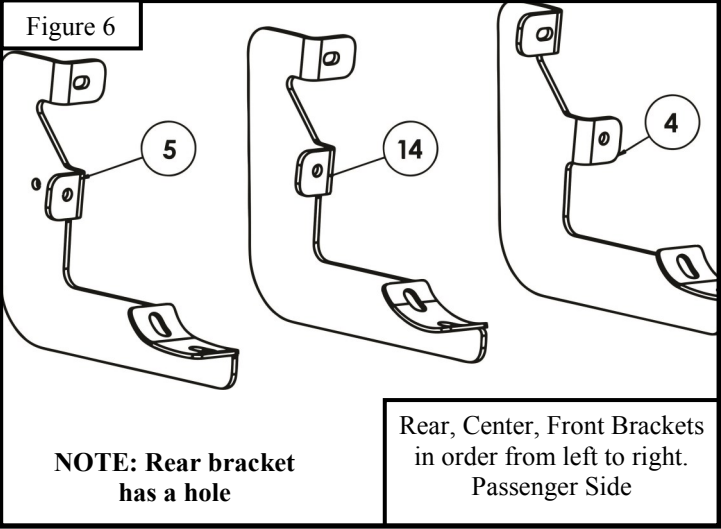
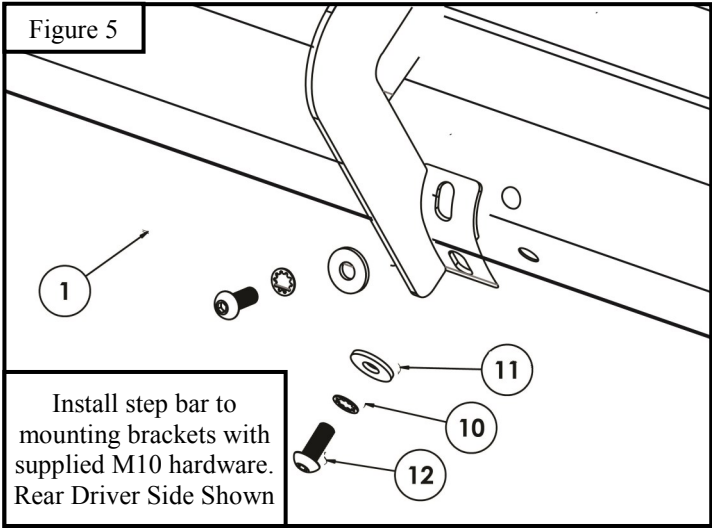
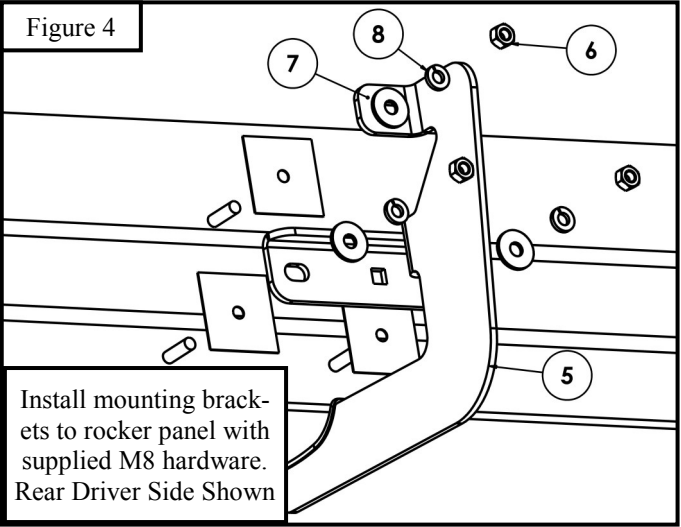
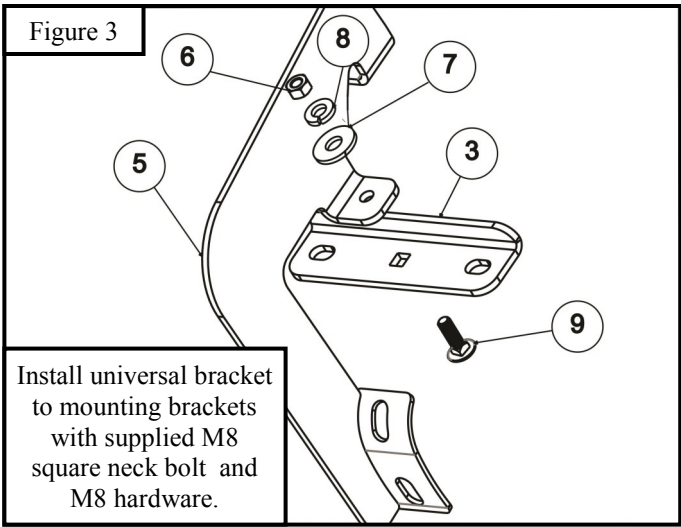
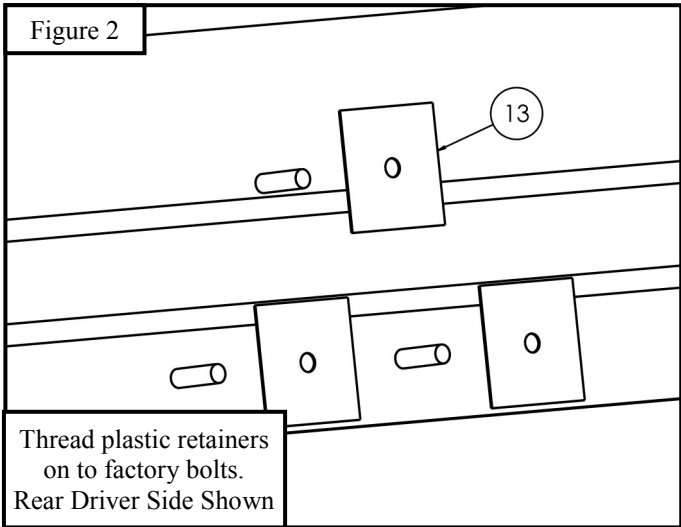
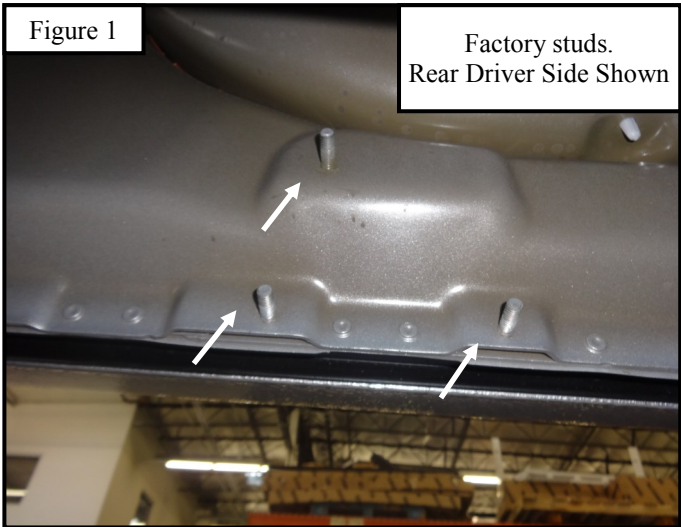
APPLICATION: PRO TRAXX OVAL STEP BAR / 2015 & UP FORD F-150 SUPERCREW (SCRW) /
SUPERCAB (SCAB)

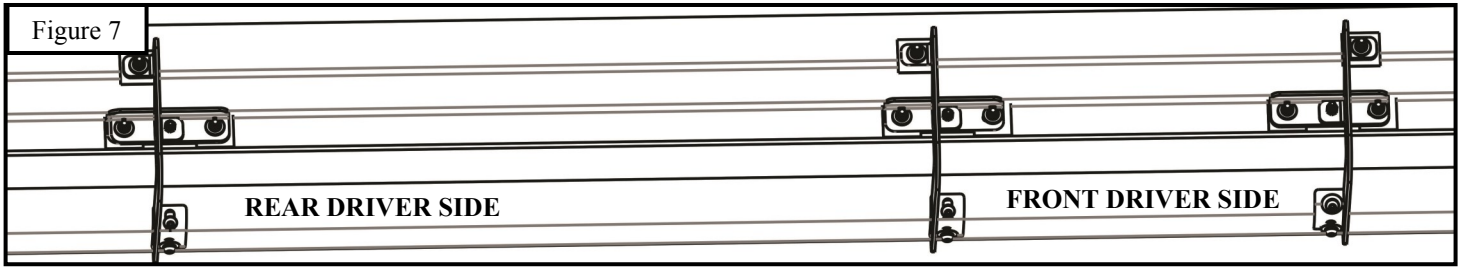
APP PART # 21-23940, 21-23945, 21-53940, 21-53945
21-23930, 21-23935, 21-53930, 21-53935

ITEM	QUANTITY	DESCRIPTION	TOOLS NEEDED
1	SCRW - 1, SCAB - 1	DRIVER SIDE PRO TRAXX STEP BAR ASSEMBLY	RATCHET
2	SCRW - 1, SCAB - 1	PASSENGER SIDE PRO TRAXX STEP BAR ASSEMBLY	TORQUE WRENCH
3	SCRW - 6, SCAB - 4	UNIVERSAL SUPPORT BRACKET	SOCKET EXTENS.
4	SCRW - 2, SCAB - 2	FRONT MOUNTING BRACKET	13MM SOCKET
5	SCRW - 2, SCAB - 2	REAR MOUNTING BRACKET	HEX KEY TOOL (INCLUDED)
6	SCRW - 24, SCAB - 16	M8 HEX NUT (YELLOW ZINC)	
7	SCRW - 24, SCAB - 16	M8 FLAT WASHER 24MM OD (YELLOW ZINC)	
8	SCRW - 24, SCAB - 16	M8 SPLIT LOCK WASHER (YELLOW ZINC)	
9	SCRW - 6, SCAB - 4	M8 CARRAIGE SQUARE NECK BOLT (BLACK ZINC)	
10	SCRW - 12, SCAB - 8	M10 TOOTHED LOCK WASHER (STAINLESS)	
11	SCRW - 12, SCAB - 8	M10 FLAT WASHER 20MM OD (STAINLESS)	
12	SCRW - 12, SCAB - 8	M10 BUTTON HEAD SCREW (STAINLESS)	
13	SCRW - 18, SCAB - 12	M8 PLASTIC RETAINER SQUARE	
14	SCRW - 2	CENTER MOUNTING BRACKET	

ANTI-SEIZE LUBRICANT MUST BE USED ON ALL STAINLESS STEEL FASTENERS TO PREVENT THREAD DAMAGE AND GALLING .

1. Remove contents from box, verify if all parts listed are present and undamaged. Carefully read and understand all instructions before attempting installation.
2. Locate factory welded studs on the rocker panel, See Figure 1.
3. Thread M8 square plastic poly retainer onto factory studs for driver side. Repeat for passenger side, see Figure 2. (Note: The plastic poly retainers are necessary to prevent reaction between supplied steel equipment and aluminum rocker panel.)
4. Loosely install the universal support brackets to all mounting brackets with supplied M8 carriage square neck bolt and M8 hardware, see Figure 3. (Note: See Figure 6 and 7 for placement of mounting brackets.)
5. Loosely install driver side mounting brackets to rocker panel with supplied M8 hardware. Repeat for passenger side, see Figure 4.
6. Loosely install the Pro Traxx step bar assembly to the previously installed mounting brackets with supplied M10 hardware. (Note: Driver side step tube will be packaged in a clear poly tube and passenger side will be packaged in a red poly tube, the Westin logo should face outward when installed.)
7. Align and adjust as necessary then torque: M8 hardware to 15-18 ft-lbs., and M10 hardware to 30-35 ft-lbs.





CARE INSTRUCTIONS

- REGULAR WAXING IS RECOMMENDED. DO NOT USE ANY TYPE OF POLISH OR WAX THAT MAY CONTAIN ABRASIVES.
- STAINLESS STEEL PRODUCTS CAN BE CLEANED WITH MILD SOAP AND WATER. STAINLESS STEEL POLISH SHOULD BE USED TO POLISH SMALL SCRATCHES.
- GLOSS BLACK FINISHES SHOULD BE CLEANED WITH MILD SOAP AND WATER.