



# INSTALLATION INSTRUCTIONS

## PRODUCT DESCRIPTION

APPLICATION:

Low Side Tool Box Universal Fit

AUTOMOTIVE PRODUCTS

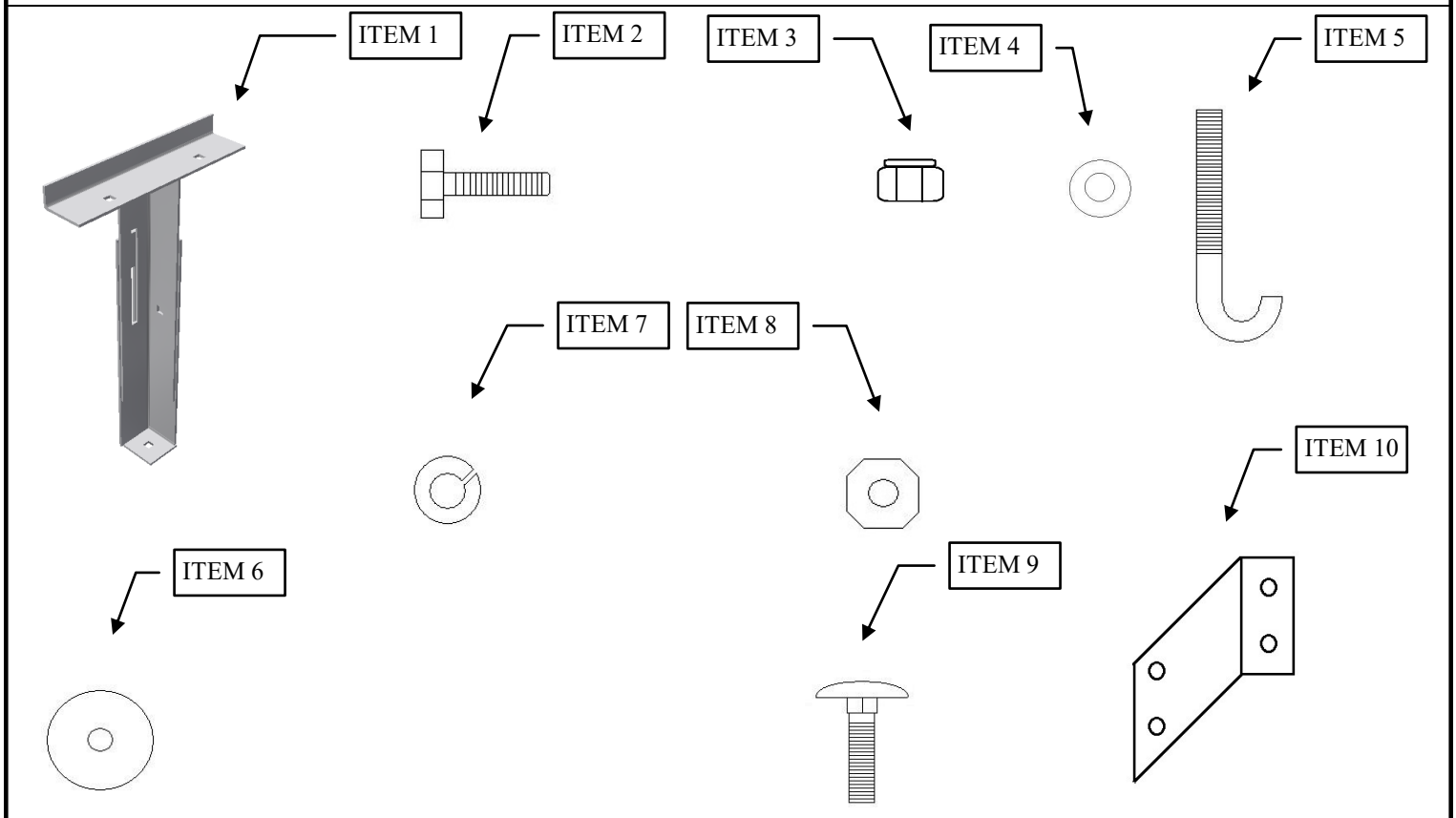
PART NUMBER:



80-RB184, 80-RB174, 80-RB172, 80-RB164, 80-RB180-1, 80-RB178-9

CONTENT			
ITEM	QUANTITY	DESCRIPTION	TOOLS NEEDED
1	2	ADJUSTABLE MOUNTING BRACKET	1/2" SOCKET
2	10	5/16" x 1" SS HEX CAP SCREW	RATCHET
3	10	5/16" SS NYLOCK NUT	1/2" WRENCH
4	20	5/16" SS FLAT WASHER	9/32" Drill Bit
5	2	1/4" J BOLT	
6	2	1/4" FENDER WASHER	
7	6	1/4" LOCK WASHER	
8	6	1/4" HEX NUT	
9	4	1/4" x 1" CARRIAGE BOLT	
10	1	2" x 4" Aluminum Angle	

ANTI-SEIZE LUBRICANT MUST BE USED ON ALL STAINLESS STEEL FASTENERS TO PREVENT THREAD DAMAGE AND GALLING



## PROCEDURE

1. Remove contents from box, verify if all parts listed are present and free from damage.  
Carefully read and understand all instructions before attempting installation.  
**Failure to identify damage before installation could lead to a rejection of any claim.**
2. Step two, **See Fig. A.** Turn tool box upside down, place top mounting bracket in position and mark holes. Using a 9/32" drill bit, drill the marked holes. Bolt top bracket on loosely using 5/16 x 1 hex cap screws, flat washers, nylock nut. Repeat procedure on the other end of the box.
3. Step Three, **See Fig. B.** Add the bottom half of the bracket with the foot side down. Use (2) 5/16 x 1 hex cap screws, flat washers, nylock nut bolted through the slots and adjust to the needed height. Finger tighten at where the desired height is reached.
4. Step four, **See Fig. C.** Carefully place low side toolbox on the bed rail, be sure the mounting legs touch the floor and box is stable before proceeding. Open the box lid and install the J bolt through the pre-punched slots and under the lip of the rail. On some trucks you may need to drill holes in the box to get it in the proper position. **Note: If you plan to attached the low side box to a cross box in the front proceed to the next step before mounting the bracket to the floor.**
5. Step Five, **See Fig. D.** Optional step. If you have a Brute crossover tool box mounted in the front of the bed and would prefer to attach to the low side box, line up low side to the crossover box and use the 2 x 4 aluminum angle to mark holes. Drill with 9/32" bit then use (4) 1/4" carriage bolts, lock washers, and nuts to attach the angle, finger tighten.
6. Step six. Readjust mounting leg to level low side box then mount to the floor of the truck bed (fastener not included for the floor). Before drilling into the floor be sure there is no wires, brake lines, or fuel lines under the bed. Once leg is mounted to the floor drill a 9/32" hole through the remaining hole in the mounting bracket and secure with (1) 5/16" hex cap screw, flat washer, and nylock nut.
7. Step seven. Tighten all fasteners with socket and wrench.

Top Mounting Bracket Shown, Box Upside Down

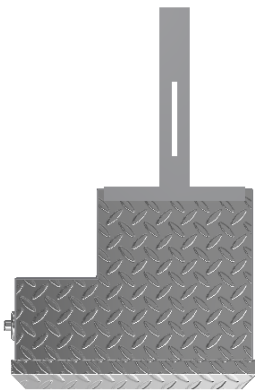
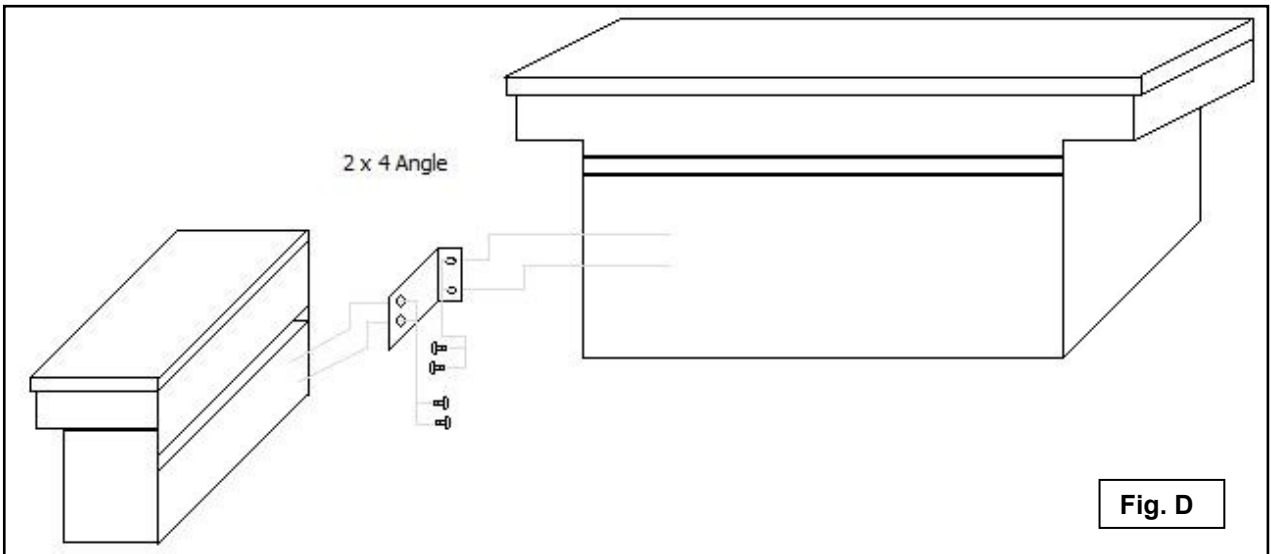
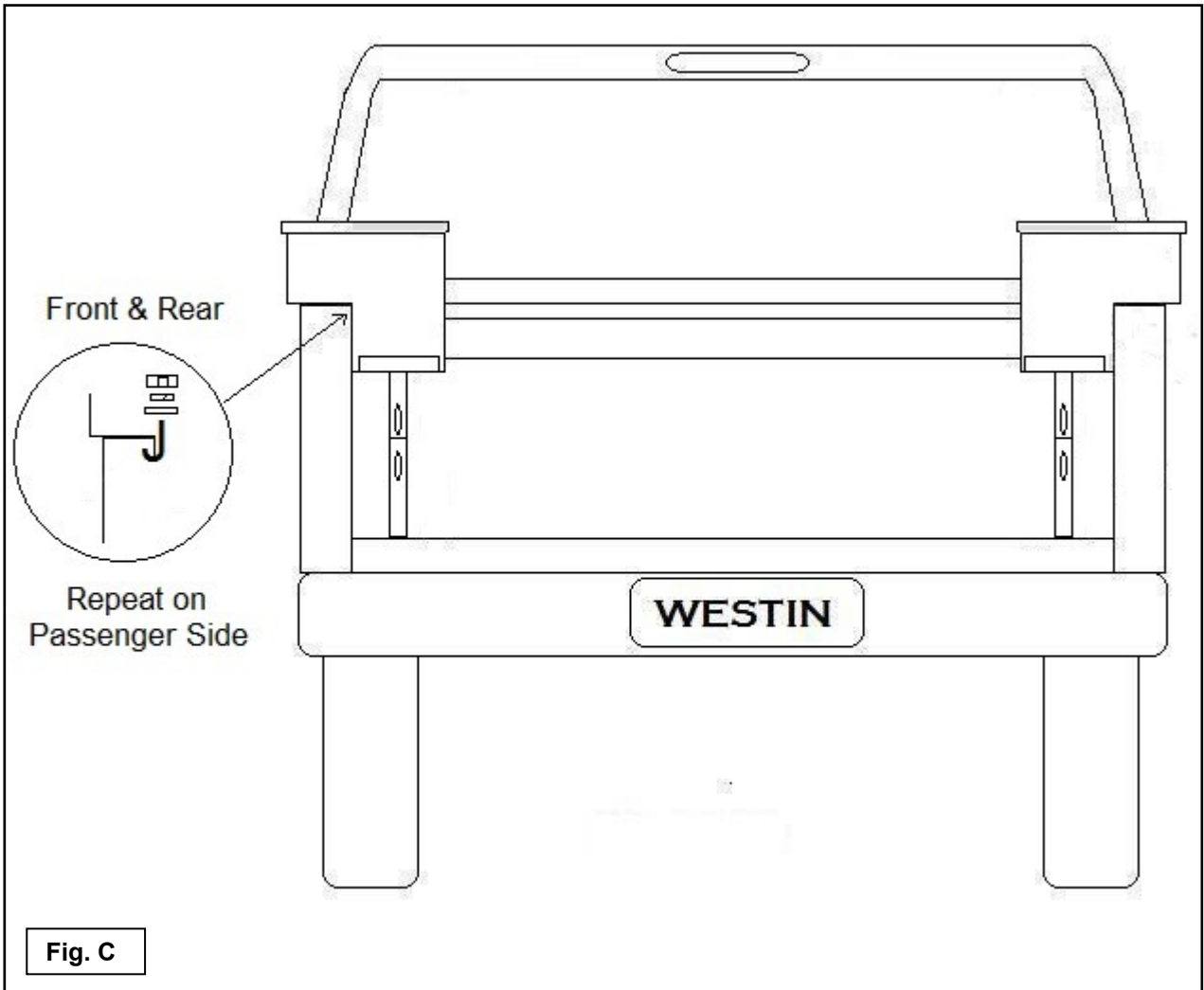


Fig. A



Fig. B



**CARE INSTRUCTIONS**

- REGULAR WAXING IS RECOMMENDED. DO NOT USE ANY TYPE OF POLISH OR WAX THAT MAY CONTAIN ABRASIVES
- STAINLESS STEEL PRODUCTS CAN BE CLEANED WITH MILD SOAP AND WATER. STAINLESS STEEL POLISH SHOULD BE USED TO POLISH SMALL SCRATCHES.
- GLOSS BLACK FINISHES SHOULD BE CLEANED WITH MILD SOAP AND WATER